

GST 15i 3 pole 250 V, 16 A

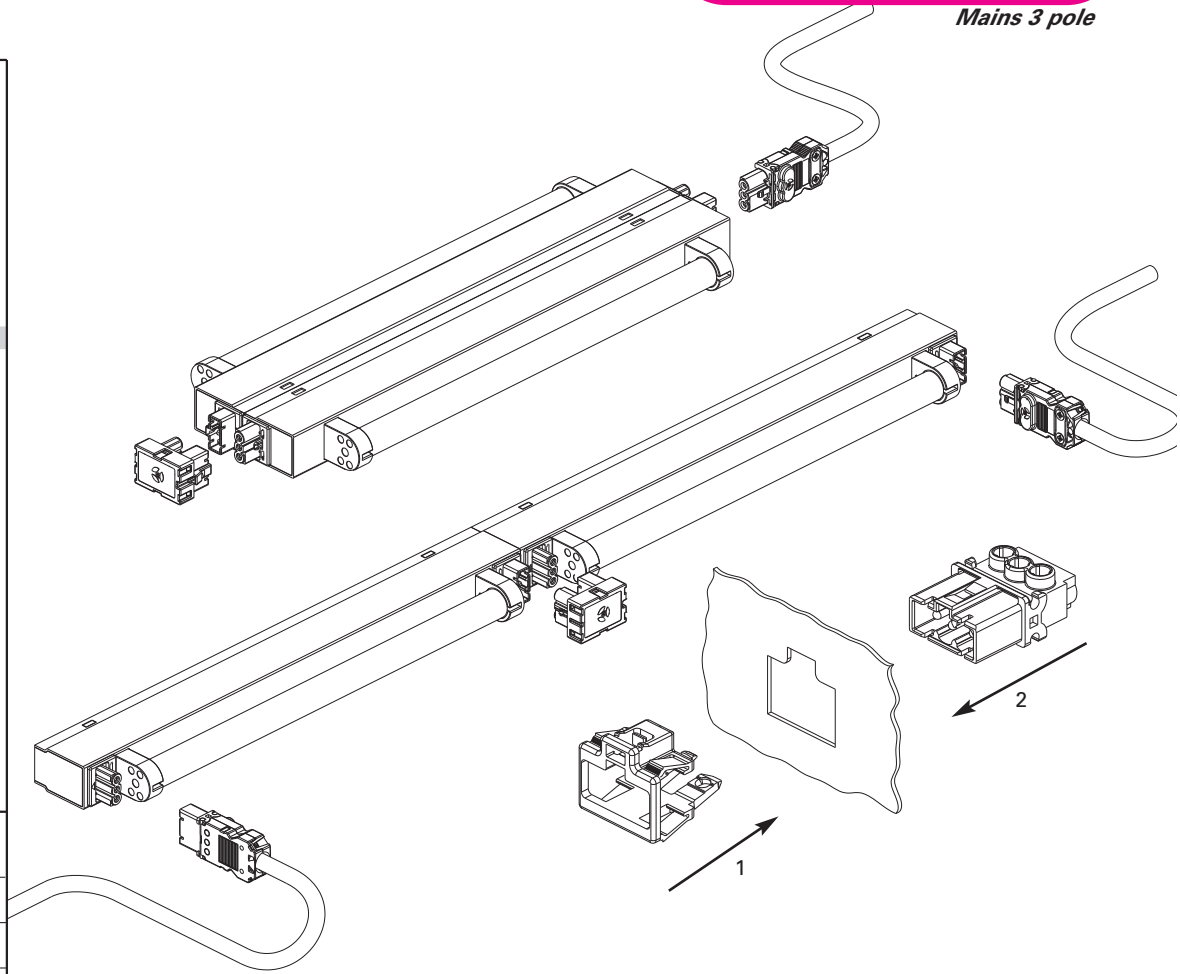
| | | | Connectors | | Appliance couplers | | Appliance couplers | |
|-------------------------|--------|-------------|--|-----------|---|-----------|---|-----------|
| Application | Coding | Color | Part No. | Std. Pack | Part No. | Std. Pack | Part No. | Std. Pack |
| | | | <p>with strain relief for cable diameters of 6.0 – 8.5 mm (H05VV-F, NYM)²⁾ Wire range: 0.5 – 1.5 mm² solid and fine-stranded without ferrule, with locking levers</p> <p>Sheath strip length SL: 25 mm Sheath strip length: 21 mm Insulation strip length: 8 mm</p> | | <p>Material thickness: 0.5 – 1.5 mm snaps into place in cut-out¹⁾, 1 connection point per pole, with screw, solid and fine-stranded cables 0.5 – 1.5 mm² with locking levers</p> <p>Insulation strip length: 8 mm</p> | | <p>Material thickness: 0.8 – 1.0 mm snaps into place in cut-out¹⁾, 1 connection point per pole, with screw, solid and fine-stranded cables 0.5 – 1.5 mm² with locking levers</p> <p>Insulation strip length: 8 mm</p> | |
| Female connector | | | | | | | | |
| Mains with ground | Code 1 | black white | 91.931.3053.1 91.931.3053.0 | | 91.931.9053.1 91.931.9053.0 | | 91.931.9153.1 91.931.9153.0 | |
| Type | | | GST15i3S B1 ZR1 WS | | GST15i3S B1 R WS | | | |
| Male connector | | | | | | | | |
| Mains with ground | Code 1 | black white | 91.932.3053.1 91.932.3053.0 | | 91.932.9053.1 91.932.9053.0 | | 91.932.9153.1 91.932.9153.0 | |
| Type | | | GST15i3S S1 ZR1 WS | | GST15i3S S1 R WS | | | |
| | | | ²⁾ Other cables available on request | | ¹⁾ Housing material, paint and deburring may influence the tight fit inside the housing. Detailed installation instructions available on request. | | ¹⁾ Housing material, paint and deburring may influence the tight fit inside the housing. Detailed installation instructions available on request. | |

GST 15i3

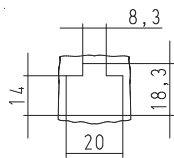
Mains 3 pole

Intermediate coupling U form

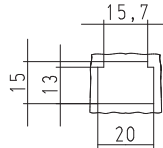
lockable
1 input
 Male connector 3 pole
1 output
 Female connector 3 pole



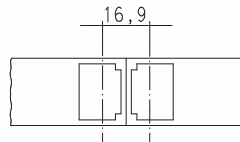
Cut-out dimensions:
 91.931.9053.1
 91.932.9053.1



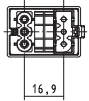
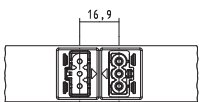
Cut-out dimensions:
 91.931.9153.1
 91.932.9153.1



Cut-out dimensions:
 91.030.5853.1
 91.030.5853.0

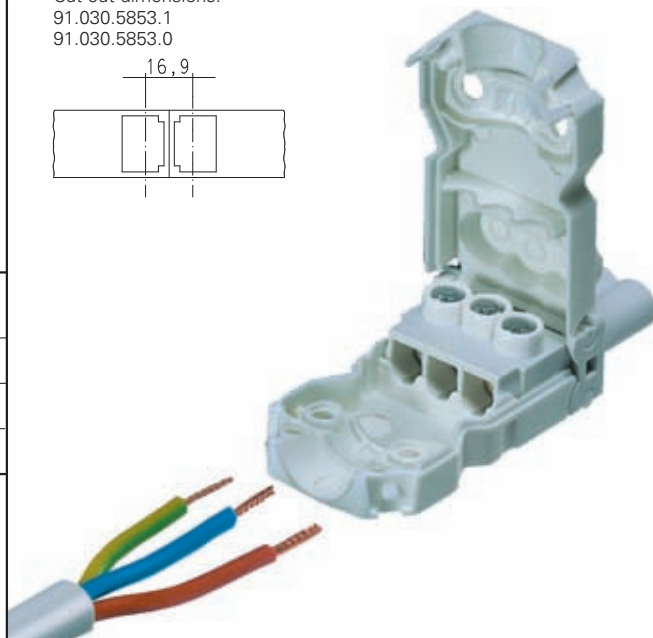


Part No. Std. Pack


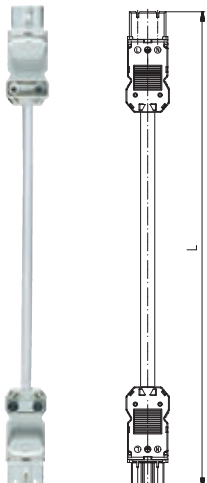
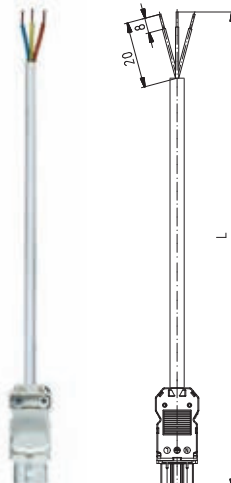
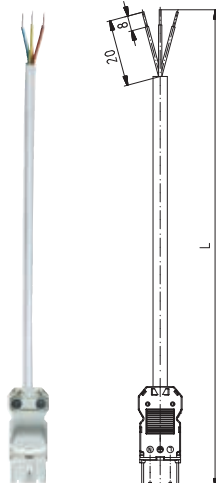
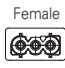
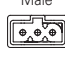


91.030.5853.1
 91.030.5853.0

GST15i3



GST 15i 3 pole 250 V, 16 A

| | | | | Extension cable | | Connection cable | | Connection cable | | | |
|---|---|---------------|----------------------|---|---------------|---|---------------|---|---------------|--|--|
| Cable: H05VV-F3G1.5 Insulation: with halogen (PVC) | | | | | | | | | | | |
| | | | | 3 x 1.5 mm² Female – Male | | 3 x 1.5 mm² Female – Free end with ultrasonically welded wire ends ¹⁾ | | 3 x 1.5 mm² Male – Free end with ultrasonically welded wire ends ¹⁾ | | | |
|  PE = gn/yl N = bl L = br | | | | Standard cable Type H05VV-F3G1.5 | |  | |  | |  | |
| Application | Coding | Color | Length ²⁾ | Part No. | Std. Pack | Part No. | Std. Pack | Part No. | Std. Pack | | |
| Mains with ground | Cable 1 Female  Male  | Cable: black | 1.0 m | 91.232.1000.1 | | 91.232.1003.1 | | 91.232.1004.1 | | | |
| | | | 2.0 m | 91.232.2000.1 | | 91.232.2003.1 | | 91.232.2004.1 | | | |
| | | | 3.0 m | 91.232.3000.1 | | 91.232.3003.1 | | 91.232.3004.1 | | | |
| | | | 4.0 m | 91.232.4000.1 | | 91.232.4003.1 | | 91.232.4004.1 | | | |
| | | | 5.0 m | 91.232.5000.1 | | 91.232.5003.1 | | 91.232.5004.1 | | | |
| | | | 6.0 m | 91.232.6000.1 | | 91.232.6003.1 | | 91.232.6004.1 | | | |
| | 7.0 m | 91.232.7000.1 | | 91.232.7003.1 | | 91.232.7004.1 | | | | | |
| | 8.0 m | 91.232.8000.1 | | 91.232.8003.1 | | 91.232.8004.1 | | | | | |
| | | | Cable: white | 1.0 m | 91.232.1000.2 | | 91.232.1003.2 | | 91.232.1004.2 | | |
| | | | | 2.0 m | 91.232.2000.2 | | 91.232.2003.2 | | 91.232.2004.2 | | |
| | | | | 3.0 m | 91.232.3000.2 | | 91.232.3003.2 | | 91.232.3004.2 | | |
| | | | | 4.0 m | 91.232.4000.2 | | 91.232.4003.2 | | 91.232.4004.2 | | |
| 5.0 m | | | | 91.232.5000.2 | | 91.232.5003.2 | | 91.232.5004.2 | | | |
| 6.0 m | | | | 91.232.6000.2 | | 91.232.6003.2 | | 91.232.6004.2 | | | |
| 7.0 m | 91.232.7000.2 | | 91.232.7003.2 | | 91.232.7004.2 | | | | | | |
| 8.0 m | 91.232.8000.2 | | 91.232.8003.2 | | 91.232.8004.2 | | | | | | |

Cable assemblies

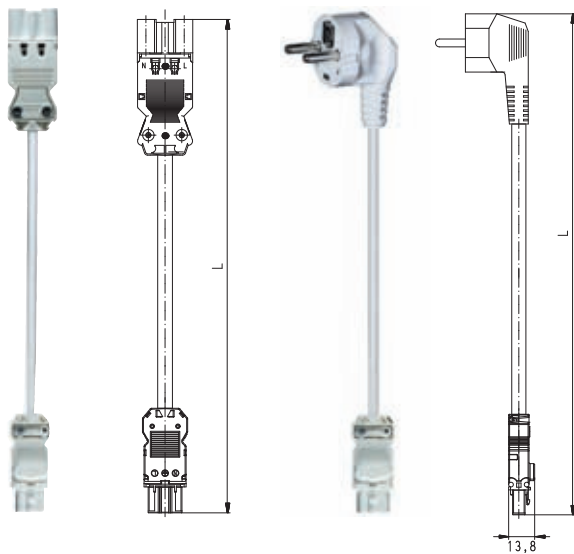
Connection cable

3 x 1.5 mm²

Female – Male

3 x 1.5 mm²

Female connector with
angled connector
(accord. to DIN 49441)




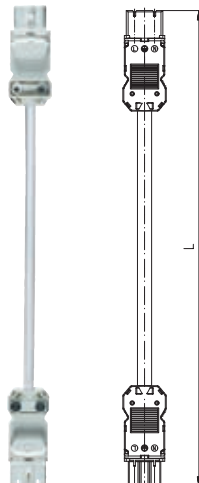


| Length ²⁾ | Part No. | Std. Pack | Part No. | Std. Pack |
|----------------------|--|-----------|---------------|-----------|
| | 91.232.1009.1 91.232.2009.1 91.232.3009.1 91.232.4009.1 91.232.5009.1 91.232.6009.1 91.232.7009.1 91.232.8009.1 | | 91.232.2007.1 | |
| | 91.232.1009.2 91.232.2009.2 91.232.3009.2 91.232.4009.2 91.232.5009.2 91.232.6009.2 91.232.7009.2 91.232.8009.2 | | 91.232.2007.2 | |



¹⁾ Other sheath and insulation strip lengths available on request

²⁾ Other lengths available on request

GST 15i 3 pole 250 V, 16 A

| | | | | Extension cable | | Connection cable | | Connection cable | |
|---|---|---------------|----------------------|--|---------------|--|---------------|--|-----------|
| Cable: S05Z1Z1-F3G1.5 Insulation: halogen-free | | | | 3 x 1.5 mm² Female – Male | | 3 x 1.5 mm² Female – Free end with ultrasonically welded wire ends ¹⁾ | | 3 x 1.5 mm² Male – Free end with ultrasonically welded wire ends ¹⁾ | |
| | | | | Cable assemblies  PE = gn/yl N = bl L = br | | | | Standard cable Type S05Z1Z1-F3G1.5  | |
| Application | Coding | Color | Length ²⁾ | Part No. | Std. Pack | Part No. | Std. Pack | Part No. | Std. Pack |
| Mains with ground | Cable 1 Female  Male  | Cable: black | 1.0 m | 91.232.1060.1 | | 91.232.1063.1 | | 91.232.1064.1 | |
| | | | 2.0 m | 91.232.2060.1 | | 91.232.2063.1 | | 91.232.2064.1 | |
| | | | 3.0 m | 91.232.3060.1 | | 91.232.3063.1 | | 91.232.3064.1 | |
| | | | 4.0 m | 91.232.4060.1 | | 91.232.4063.1 | | 91.232.4064.1 | |
| | | | 5.0 m | 91.232.5060.1 | | 91.232.5063.1 | | 91.232.5064.1 | |
| | | | 6.0 m | 91.232.6060.1 | | 91.232.6063.1 | | 91.232.6064.1 | |
| | | Cable: white | 1.0 m | 91.232.1060.2 | | 91.232.1063.2 | | 91.232.1064.2 | |
| | 2.0 m | | 91.232.2060.2 | | 91.232.2063.2 | | 91.232.2064.2 | | |
| | 3.0 m | | 91.232.3060.2 | | 91.232.3063.2 | | 91.232.3064.2 | | |
| | 4.0 m | | 91.232.4060.2 | | 91.232.4063.2 | | 91.232.4064.2 | | |
| | 5.0 m | | 91.232.5060.2 | | 91.232.5063.2 | | 91.232.5064.2 | | |
| | 6.0 m | | 91.232.6060.2 | | 91.232.6063.2 | | 91.232.6064.2 | | |
| | Cable: white | 7.0 m | 91.232.7060.1 | | 91.232.7063.1 | | 91.232.7064.1 | | |
| 8.0 m | | 91.232.8060.1 | | 91.232.8063.1 | | 91.232.8064.1 | | | |
| | | Cable: white | 7.0 m | 91.232.7060.2 | | 91.232.7063.2 | | 91.232.7064.2 | |
| 8.0 m | | | 91.232.8060.2 | | 91.232.8063.2 | | 91.232.8064.2 | | |

Cable assemblies

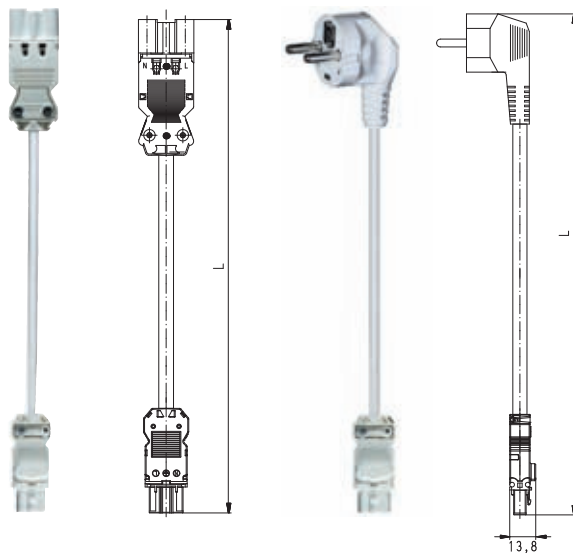
Connection cable

3 x 1.5 mm²

Female – Male

3 x 1.5 mm²

Female connector with
angled connector
(accord. to DIN 49441)



| Length ²⁾ | Part No. | Std. Pack | Part No. | Std. Pack |
|----------------------|---------------|-----------|----------------------|-----------|
| 1.0 m | 92.232.1069.1 | | available on request | |
| 2.0 m | 92.232.2069.1 | | | |
| 3.0 m | 92.232.3069.1 | | | |
| 4.0 m | 92.232.4069.1 | | | |
| 5.0 m | 92.232.5069.1 | | | |
| 6.0 m | 92.232.6069.1 | | | |
| 7.0 m | 92.232.7069.1 | | | |
| 8.0 m | 92.232.8069.1 | | | |
| 1.0 m | 92.232.1069.2 | | available on request | |
| 2.0 m | 92.232.2069.2 | | | |
| 3.0 m | 92.232.3069.2 | | | |
| 4.0 m | 92.232.4069.2 | | | |
| 5.0 m | 92.232.5069.2 | | | |
| 6.0 m | 92.232.6069.2 | | | |
| 7.0 m | 92.232.7069.2 | | | |
| 8.0 m | 92.232.8069.2 | | | |



¹⁾ Under the same conditions, the availability of the cable is available on request.

²⁾ Under the same conditions, the availability of the cable is available on request.