



**wieland**

Electrical  
Connections



**gesis<sup>®</sup> MINI**

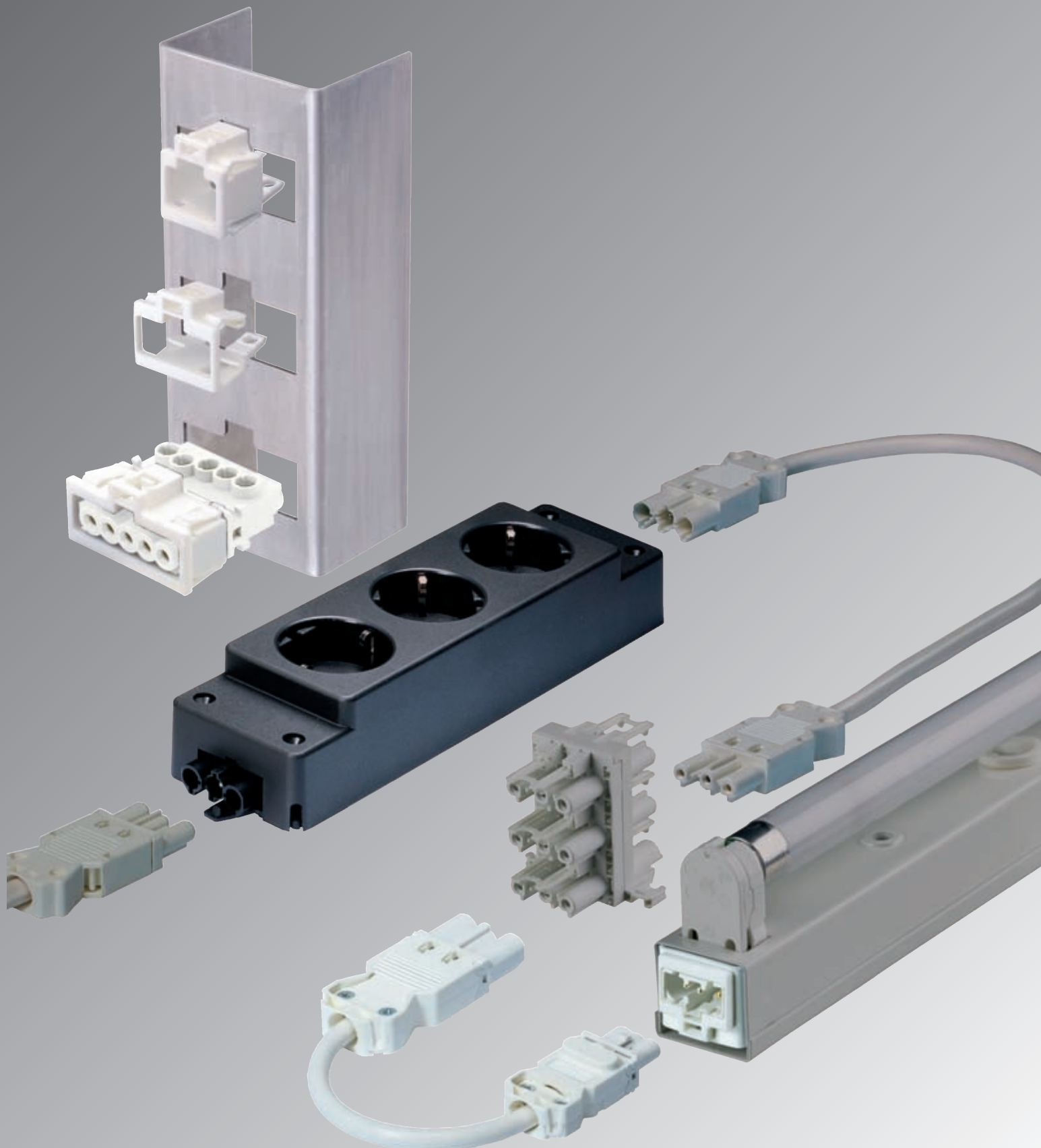
**Small and powerful**

**gesis<sup>®</sup> MINI**  
**Ordering document**

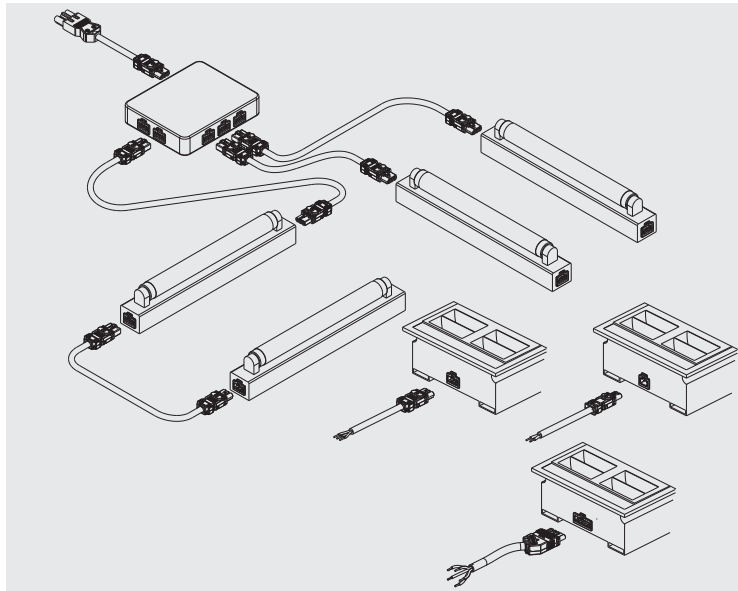


# gesis<sup>®</sup>

---



## Application example



## General

Electronic components become increasingly smaller. Consumer devices become smaller and the electrical connection must therefore become smaller, too. For installations in exhibition systems, on the shelf or in façades every inch counts. 'The smaller, the better' is the motto here. With its extremely compact dimensions, **gesis** MINI proves itself to fit perfectly while providing full performance. Its implementation guarantees 250 V and 16 A. **gesis** MINI provides all the benefits of the classical **gesis** system and integrates itself perfectly.

## Coding

					GST 15i2				GST 15i3		GST 15i5				
					Application		Mains with ground	Dimming	50 V	Mains with ground		Mains with ground		Mains + Dimming	50 V
					Mechanical coding		Code 1	Code 2	Code 3	Code 1		Code 1		Code 2	Code 3
Name	Description	Connection style	Strain relief housing	Connection points per pole	white	black	pastel blue	light blue	white	black	white	black	pastel blue	light blue	
<b>Connector</b>	Flat design	Screw	yes	1											
<b>Snap in</b>	for material thickness: 0.5 – 1.5 mm	Screw		1											
<b>Distribution</b>	U-piece														
<b>Cable assemblies</b>	Male – Free end	pre-assembled	pre-assembled	pre-assembled											
	Female – Free end														
	Male – Female														
	Female – GST18i3 connector														
	Female – Angled connector														

# GST 15i 2 pole 250 V/16 A/6 A

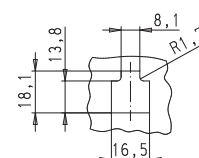
Available for delivery in the 4th quarter of 2006

## Connectors

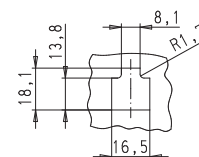
## Appliance couplers

Application			Coding		Color	Part No.	Std. Pack	Part No.	Std. Pack				
<b>Female connector</b>						<b>with strain relief</b> for cable diameters of 6.0 – 8.5 mm (H05VV-F, NYM) <sup>2)</sup> Wire range: 0.75 – 1.5 mm <sup>2</sup> solid and fine-stranded without ferrule, with locking device  Sheath strip length: 21 mm Insulation strip length: 8 mm				<b>Material thickness: 0.5 – 1.5 mm</b> snaps into place in cut-out <sup>1)</sup> , 1 connection point per pole <b>with screw</b> , solid and fine-stranded cables 0.5 – 1.5 mm <sup>2</sup> with locking device  Insulation strip length: 8 mm			
<b>Male connector</b>						Type <b>GST15i2S B1 ZR1 WS</b>				Type <b>GST15i2S B1 R WS</b>			
Mains 250 V / 16 A	Code 1		white	91.921.3053.0	91.921.3053.1	91.921.9053.0	91.921.9053.1						
Dimming 250 V / 6 A	Code 2		pastel blue	91.921.3453.0		91.921.9453.0							
Low voltage <sup>3)</sup> 50 V / 16 A	Code 3		light blue	91.921.3353.0		91.921.9353.0							
<b>Male connector</b>						Type <b>GST15i2S S1 ZR1 WS</b>				Type <b>GST15i2S S1 R WS</b>			
Mains 250 V / 16 A	Code 1		white	91.922.3053.0	91.922.3053.1	91.922.9053.0	91.922.9053.1						
Dimming 250 V / 6 A	Code 2		pastel blue	91.922.3453.1		91.922.9453.1							
Low voltage <sup>3)</sup> 50 V / 16 A	Code 3		light blue	91.922.3353.1		91.922.9353.1							
<b>Male connector</b>						Type <b>GST15i2S S1 ZR1 WS</b>				Type <b>GST15i2S S1 R WS</b>			
<sup>2)</sup> Other cables available on request						<sup>1)</sup> Housing material, paint and deburring may influence the tight fit inside the housing. Detailed installation instructions available on request.							
<sup>3)</sup> Coding for low-voltage applications 50 V, 16 A													

Cut-out dimensions:



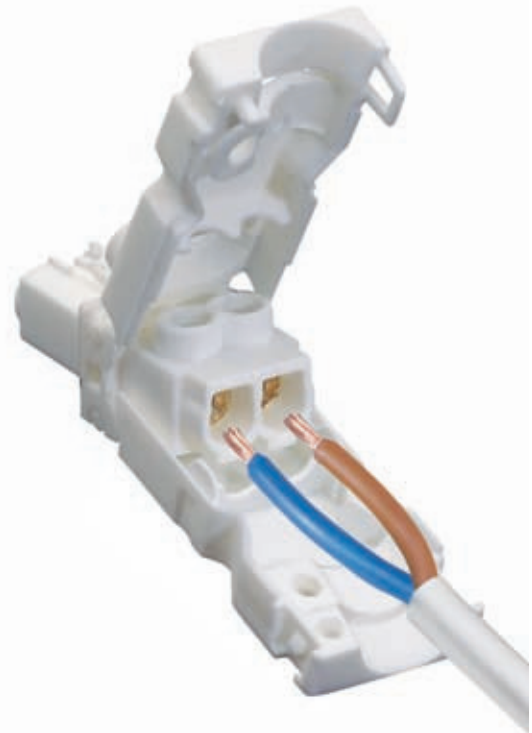
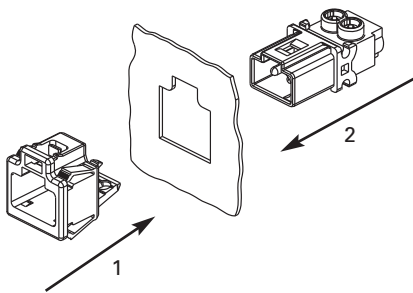
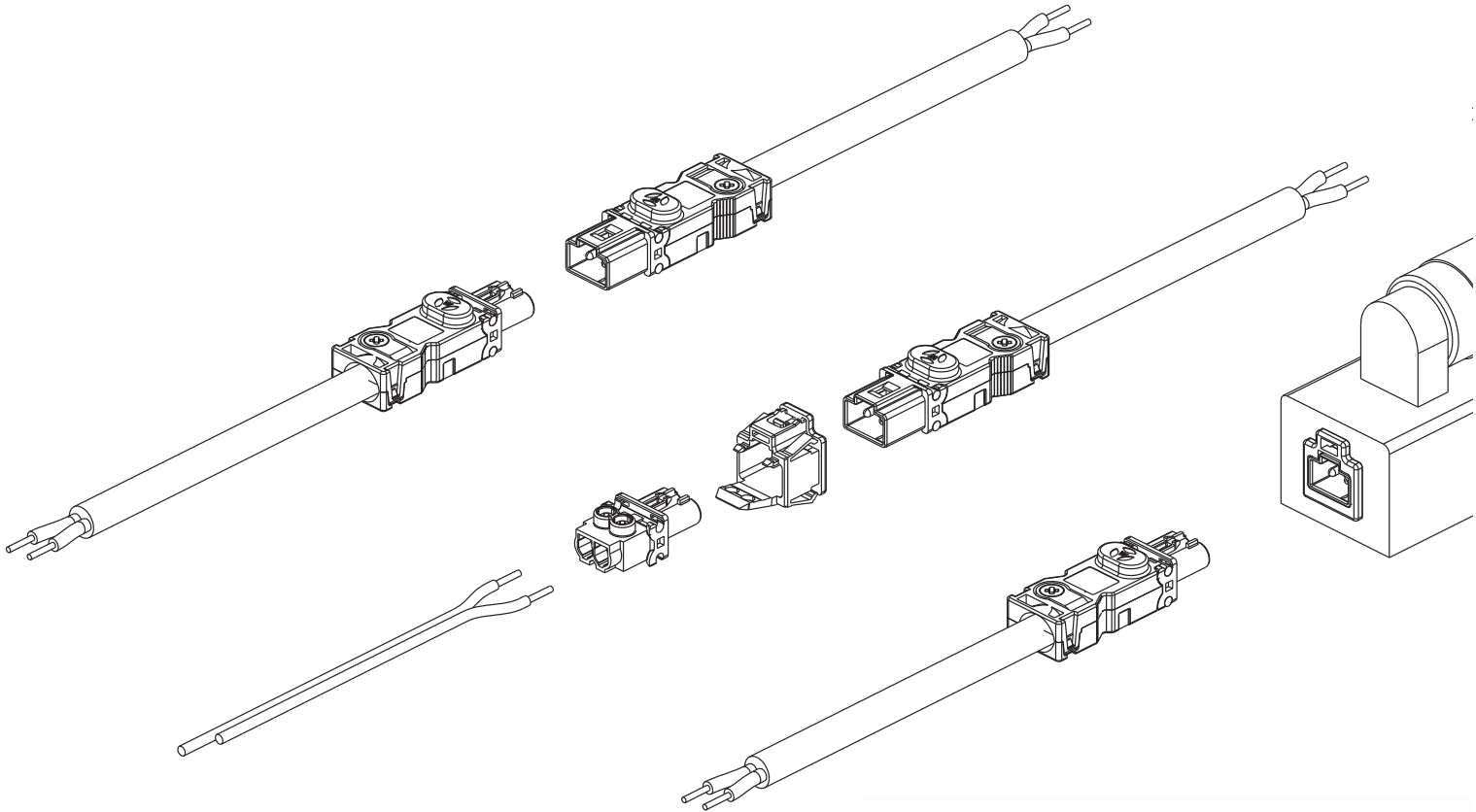
Cut-out dimensions:



# GST 15i2


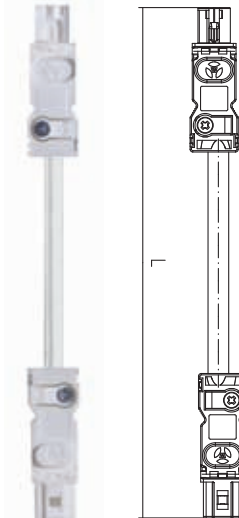
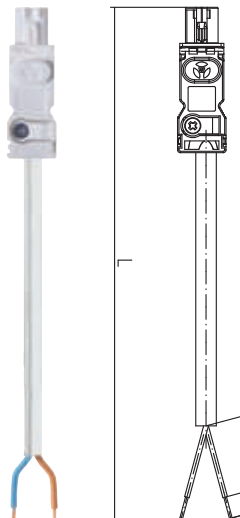
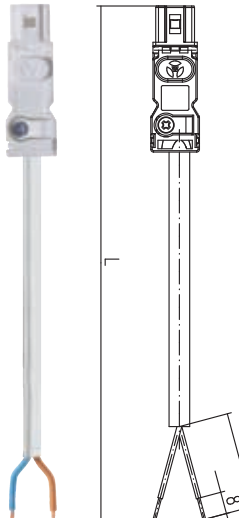








2 pole

Available for delivery in the  
4th quarter of 2006



# GST 15i 2 pole 250 V/16 A/6 A

Available for delivery in the 4th quarter of 2006

				Extension cable		Connection cable		Connection cable			
<b>Cable: H05VV-F2G1.5</b>				<b>2 x 1.5 mm<sup>2</sup></b>		<b>2 x 1.5 mm<sup>2</sup></b>		<b>2 x 1.5 mm<sup>2</sup></b>			
<b>Insulation: with halogen (PVC)</b>				<b>Female – Male</b>		<b>Female – Free end</b> with ultrasonically welded wire ends <sup>1)</sup>		<b>Male – Free end</b> with ultrasonically welded wire ends <sup>1)</sup>			
<b>Cable assemblies</b>											
 <p>N = bl L = br</p>				Standard cable Type H05VV-F2G1.5							
Application	Coding	Color	Length <sup>2)</sup>	Part No.	Std. Pack	Part No.	Std. Pack	Part No.	Std. Pack		
Mains 250 V / 16 A	Cable 1 Female  Male 	black	1.0 m	91.222.1000.1		91.222.1003.1		91.222.1004.1			
			2.0 m	91.222.2000.1		91.222.2003.1		91.222.2004.1			
			3.0 m	91.222.3000.1		91.222.3003.1		91.222.3004.1			
			4.0 m	91.222.4000.1		91.222.4003.1		91.222.4004.1			
			5.0 m	91.222.5000.1		91.222.5003.1		91.222.5004.1			
			6.0 m	91.222.6000.1		91.222.6003.1		91.222.6004.1			
			7.0 m	91.222.7000.1		91.222.7003.1		91.222.7004.1			
			8.0 m	91.222.8000.1		91.222.8003.1		91.222.8004.1			
	Cable 1 Female  Male 	white	1.0 m	91.222.1000.2		91.222.1003.2		91.222.1004.2			
			2.0 m	91.222.2000.2		91.222.2003.2		91.222.2004.2			
			3.0 m	91.222.3000.2		91.222.3003.2		91.222.3004.2			
			4.0 m	91.222.4000.2		91.222.4003.2		91.222.4004.2			
			5.0 m	91.222.5000.2		91.222.5003.2		91.222.5004.2			
			6.0 m	91.222.6000.2		91.222.6003.2		91.222.6004.2			
			7.0 m	91.222.7000.2		91.222.7003.2		91.222.7004.2			
			8.0 m	91.222.8000.2		91.222.8003.2		91.222.8004.2			
Dimming <sup>4)</sup> 250 V / 6 A	Cable 2 Female  Male 	pastel blue white	1.0 m	91.222.1000.9		91.222.1003.9		91.222.1004.9			
			2.0 m	91.222.2000.9		91.222.2003.9		91.222.2004.9			
			3.0 m	91.222.3000.9		91.222.3003.9		91.222.3004.9			
			4.0 m	91.222.4000.9		91.222.4003.9		91.222.4004.9			
			5.0 m	91.222.5000.9		91.222.5003.9		91.222.5004.9			
			6.0 m	91.222.6000.9		91.222.6003.9		91.222.6004.9			
			7.0 m	91.222.7000.9		91.222.7003.9		91.222.7004.9			
			8.0 m	91.222.8000.9		91.222.8003.9		91.222.8004.9			
Low voltage <sup>3)</sup> 50 V / 16 A	Cable 3 Female  Male 	light blue white	1.0 m	available on request		available on request		available on request			
			2.0 m								
			3.0 m								
			4.0 m								
			5.0 m								
			6.0 m								
			7.0 m								
			8.0 m								

<sup>1)</sup> Other sheath and insulation strip lengths available on request  
<sup>2)</sup> Other lengths available on request

<sup>3)</sup> Coding for low-voltage applications 50 V, 16 A  
<sup>4)</sup> 0.75mm<sup>2</sup> cables available on request



# GST 15i2

Available for delivery in the 4th quarter of 2006

## Extension cable

## Connection cable

## Connection cable <sup>2 pole</sup>

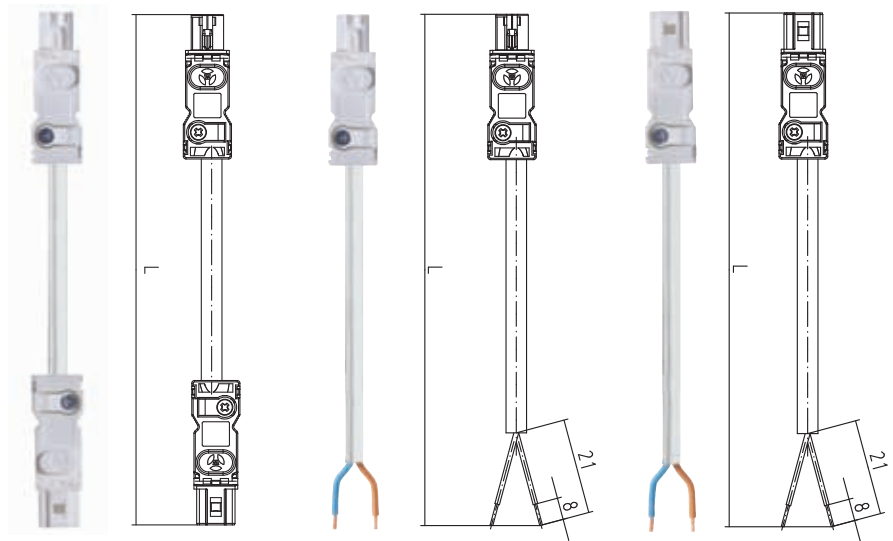
<b>Cable: S05Z1Z1-F2G1.5</b>  <b>Insulation: halogen-free</b>	<b>2 x 1.5 mm<sup>2</sup></b>  <b>Female – Male</b>	<b>2 x 1.5 mm<sup>2</sup></b>  <b>Female – Free end</b> with ultrasonically welded wire ends <sup>1)</sup>	<b>2 x 1.5 mm<sup>2</sup></b>  <b>Male – Free end</b> with ultrasonically welded wire ends <sup>1)</sup>
---	---	---	---

### Cable assemblies



N = bl  
L = br

Standard cable Type S05Z1Z1-F2G1.5



Application	Coding	Color	Length <sup>2)</sup>	Part No.	Std. Pack	Part No.	Std. Pack	Part No.	Std. Pack
Mains 250 V / 16 A	Code 1 Female  Male 	black	1.0 m	91.222.1060.1		91.222.1063.1		91.222.1064.1	
			2.0 m	91.222.2060.1		91.222.2063.1		91.222.2064.1	
			3.0 m	91.222.3060.1		91.222.3063.1		91.222.3064.1	
			4.0 m	91.222.4060.1		91.222.4063.1		91.222.4064.1	
			5.0 m	91.222.5060.1		91.222.5063.1		91.222.5064.1	
			6.0 m	91.222.6060.1		91.222.6063.1		91.222.6064.1	
	white	Cable: black	7.0 m	91.222.7060.1		91.222.7063.1		91.222.7064.1	
			8.0 m	91.222.8060.1		91.222.8063.1		91.222.8064.1	
			1.0 m	91.222.1060.2		91.222.1063.2		91.222.1064.2	
			2.0 m	91.222.2060.2		91.222.2063.2		91.222.2064.2	
			3.0 m	91.222.3060.2		91.222.3063.2		91.222.3064.2	
			4.0 m	91.222.4060.2		91.222.4063.2		91.222.4064.2	
Dimming <sup>4)</sup> 250 V / 6 A	Code 2 Female  Male 	pastel blue white	1.0 m	91.222.1060.9		91.222.1063.9		91.222.1064.9	
			2.0 m	91.222.2060.9		91.222.2063.9		91.222.2064.9	
			3.0 m	91.222.3060.9		91.222.3063.9		91.222.3064.9	
			4.0 m	91.222.4060.9		91.222.4063.9		91.222.4064.9	
			5.0 m	91.222.5060.9		91.222.5063.9		91.222.5064.9	
			6.0 m	91.222.6060.9		91.222.6063.9		91.222.6064.9	
Low voltage <sup>3)</sup> 50 V / 16 A	Code 3 Female  Male 	light blue white	7.0 m	91.222.7060.9		91.222.7063.9		91.222.7064.9	
			8.0 m	91.222.8060.9		91.222.8063.9		91.222.8064.9	
			1.0 m	available on request		available on request		available on request	
			2.0 m						
			3.0 m						
			4.0 m						
5.0 m									
6.0 m									
7.0 m									
8.0 m									

<sup>1)</sup> Other sheath and insulation strip lengths available on request <sup>3)</sup> Coding for low-voltage applications 50 V, 16 A  
<sup>2)</sup> Other lengths available on request <sup>4)</sup> 0.75mm<sup>2</sup> cables available on request