

PA46AG, PA46AG+, PA50AG+

4.6m (15'1") - 5.0m (16'5") reach

NEW



Machine Features

- » AG46 - 4.6m (15' 1") reach
- » AG46+ - 4.6m (15' 1") reach with slew
- » AG50+ - 5.0m (16' 5") reach with slew
- » 1.2m (4') Supercut flailhead
- » 45hp totally independent hydraulic system
- » Independent rotor reverse
- » Head angle float
- » Safety breakaway
- » Choice of control systems
- » Choice of attachments
- » Low power requirements

Tractor Requirements AG46 & AG46+

- » 2500kg minimum tractor weight
- » 50hp minimum tractor horse power

Tractor Requirements AG50+

- » 3000kg minimum tractor weight
- » 50hp minimum tractor horse power



Exclusively for
Overseas Distributors

McCONEL POWER ARMS

Tractor Requirements	AG46	AG50+		AG46	AG46
Minimum Horse Power Requirements	50hp	50hp	Minimum Tractor Weight	2500kg	3000kg

Machine Specification					
Maximum Reach	4.6m (15'1")	5.0m (16'5")	Power Arm Horsepower	45hp	45hp
Machine Weight*	1090kg	1170kg	Oil tank Capacity	180 ltr	180 ltr

Hydraulics					
Gear Semi Independent	—		Gear Totally Independent	■	
Piston Hydraulics - 30% Power Upgrade	—				

Method of Attachment					
3-Point Linkage-Mounted	■		5-Point Axle Bracket-Mounted	—	

Controls					
Cable Control	□		Xtra Touch Control - Mini (XTC - Mini)	□	
Switchbox	□		Xtra Touch Control	—	
Monolever	—		V4 Pro Control (EDS optional) (V4 + EDS)	—	

Machine Equipment					
Parallel Arm Geometry	—		Telescopic Dipper Arm	—	
Midcut Pack or VFR	—		Angle Float Kit - Standard On Electric Models	□	
Lift Float Kit	□		Easy Drive System (EDS)	—	
Oil Cooler	—		Power Slew - (AG46+, AG50+ only)	■	
Safety Breakaway - Mechanical	■		Cable Rotor Control - Dual Rotation (Ti only)	—	
Road Lighting Kit	□		Electric Rotor Control - Dual Rotation (Ti only)	—	
Warning Arrow - Magnetic	—		Window Guards	■	
Cushioned Top Link	—		Debris Blower	—	
Front Mounting Build	—		Orbitor Head Kit	—	
Front Flap Kit	□		Flailhead Skid Kit	□	
Hydraulic Roller	—		Flailhead Cushioned Grass Mowing Roller	—	






Power Arm Attachments					
1.20m	Swingtrim Cutter Bar	—	1.50m	Multicut Flailhead - Piston BD	—
1.50m	Swingtrim Cutter Bar	—	1.50m	Omega Flailhead - GDD or BD	—
1.50m	Sheartrim Cutter Bar - SD	□	1.50m	Omega Flailhead - Piston BD	—
1.60m	Sheartrim Cutter Bar - MD	—	1.60m	Multicut Flailhead - GDD or BD	—
2.00m	Sheartrim Cutter Bar - MD	—	1.60m	Multicut Flailhead - Piston BD	—
1.40m	Sheartrim Cutter Bar - HD	—	1.60m	Omega Flailhead - GDD or BD	—
2.20m	Sheartrim Cutter Bar - HD	—	1.60m	Omega Flailhead - Piston BD	—
1.00m	Compact Supercut Flailhead - GDD	—	2.00m	Multicut Flailhead - GDD or BD	—
1.20m	Supercut Flailhead - GDD	□	2.00m	Multicut Flailhead - Piston BD	—
1.20m	Multicut Flailhead - GDD or BD	—	1.20m	Rotary Head - FC - 3 Rotor	—
1.20m	Multicut Flailhead - Piston BD	—	1.50m	Rotary Head - HD - 1 Rotor	—
1.20m	Omega Flailhead - GDD or BD	—	1.65m	Kirogen Mini Lem - 4 Rotor	—
1.20m	Omega Flailhead - Piston BD	—		Kirogen Sawheads	—
1.50m	Multicut Flailhead - GDD or BD	—	0.70m	Ditch and Grip Cleaner	—

Standard Equipment ■ Optional Equipment □ Not Available —

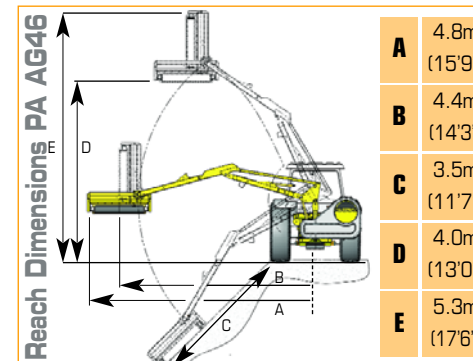
* depending on machine specification excluding attachment and oil

Control Options

The boxes that are ticked indicate the control options available for this Power Arm

<input checked="" type="checkbox"/>		<input checked="" type="checkbox"/>	
Cable		Switchbox	
<input checked="" type="checkbox"/>		<input checked="" type="checkbox"/>	
Monolever		XTC - Mini	
<input checked="" type="checkbox"/>		<input checked="" type="checkbox"/>	
XTC		V4 Pro	

Choice of Controls



»» For illustration purposes only



»» Verge Mowing



»» Hedge Cutting



»» Hedge Cutting