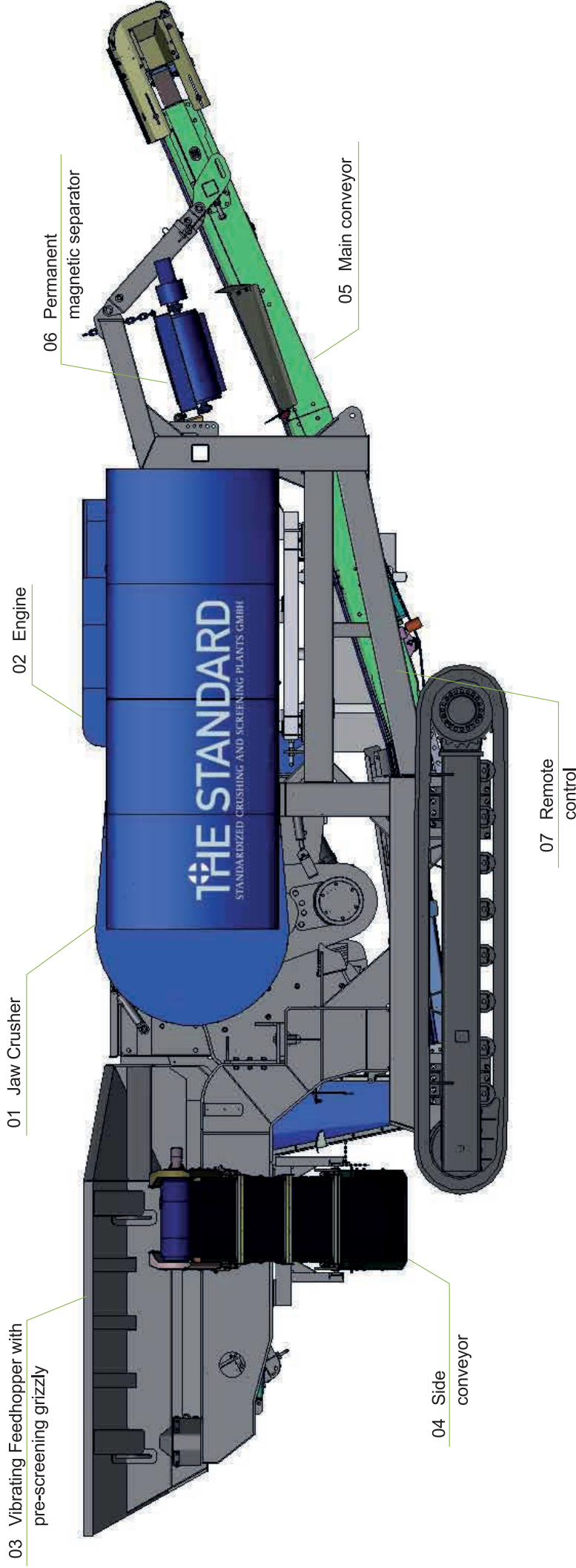




# STO1BB

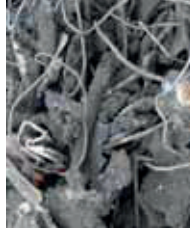


- ❖ Vibrating feedhopper with pre-screening grizzly
- ❖ Hydraulic gyp-setting for the Jaw inlet opening
- ❖ Inlet opening 1100 x 720 mm (43.31 in. x 28.34 in.)
- ❖ Engine 242 kW
- ❖ Magnetic belt separator
- ❖ Hydraulic tilt for hopper
- ❖ Optional 1-deck screener for oversize particles

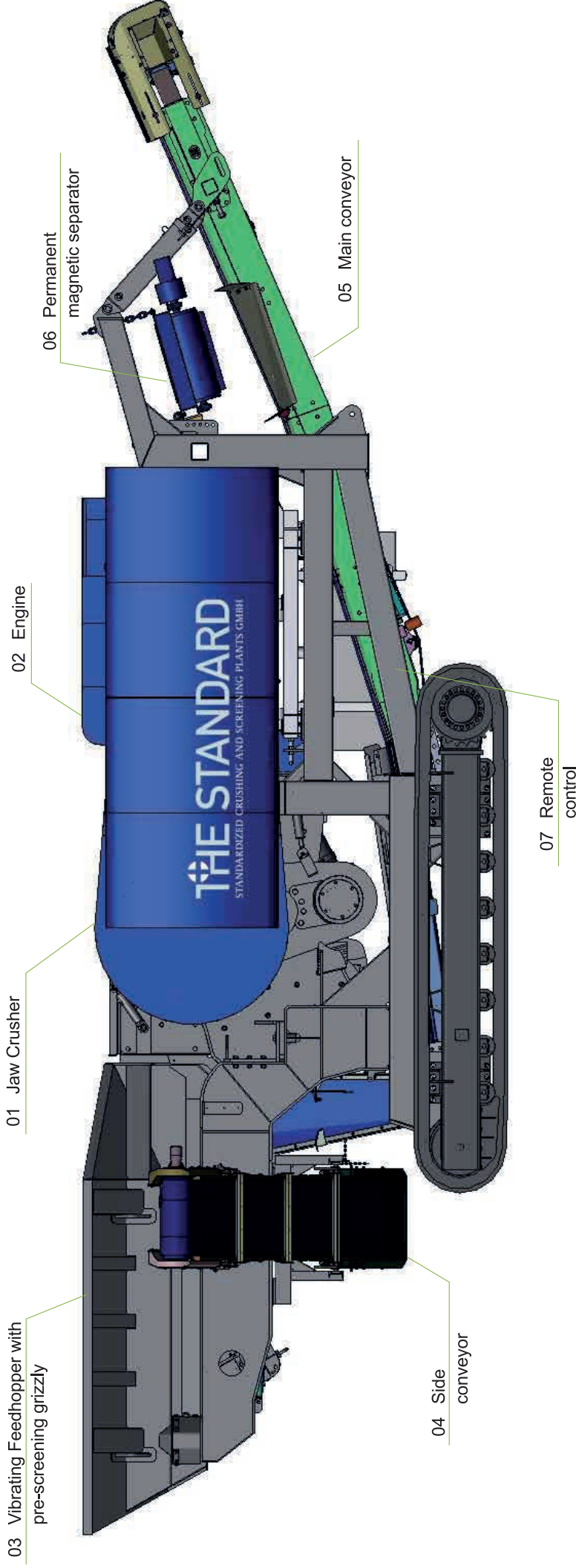
## ST01BB Hydraulic Jaw crusher on tracks

### Technical details:

Jaw crusher ST01	Transport dimensions (in mm):		
Inlet opening	1100 x 720 mm	Length:	13.400
Engine	CAT C9 242 kW	Width:	3.000
		Height:	3.650
		Weight:	48 to





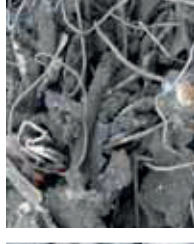


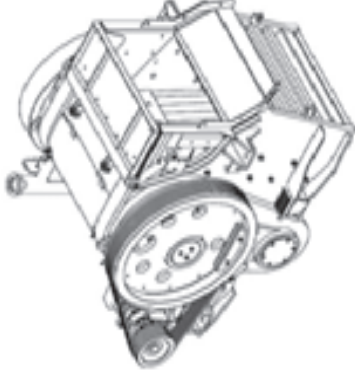
- ❖ Vibrating feedhopper with pre-screening grizzly
- ❖ Hydraulic gyp-setting for the Jaw inlet opening
- ❖ Inlet opening 1100 x 720 mm (43.31 in. x 28.34 in.)
- ❖ Engine 242 kW
- ❖ Magnetic belt separator
- ❖ Hydraulic tilt for hopper
- ❖ Optional 1-deck screener for oversize particles

## ST01BB Hydraulic Jaw crusher on tracks

### Technical details:

Jaw crusher ST01	Transport dimensions (in mm):		
Inlet opening	1100 x 720 mm	Length:	13.400
Engine	CAT C9 242 kW	Width:	3.000
		Height:	3.650
		Weight:	48 to





## 01 Jaw crusher ST01

Inlet opening: 1100 x 720 mm (43.31 x 28.24 in.)  
hydraulic gap-adjustment 20 - 350 mm (78 in. to 9.84 in.)

### Functional principle

The frame mounting of the hydraulic cylinders, which are mounted behind the toggle-plate, take all the stress and react to tramp iron.

The activation of the adjustable pressure control setting is adjustable between 60 and 80 bar. (870 and 4350 psi.) Depending on the material being crushed, as soon as the predetermined pressure setting is surpassed, the Jaw opens automatically, and closes to the predetermined gap setting, as soon as the pressure drops.

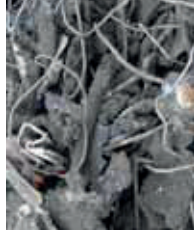
### Benefits of this system

Even at the minimum gap adjustment, this Jaw crusher is impervious to tramp iron, excavator teeth, hammer heads, etc.

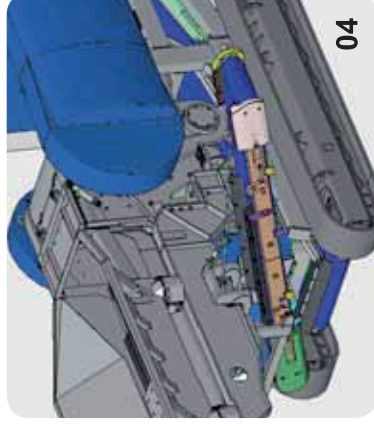
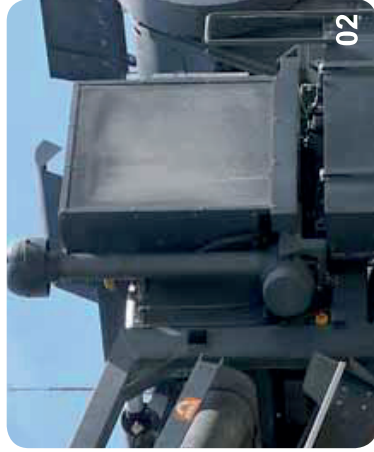
Due to the upward positioning of the toggle-plate, a quad movement occurs. The crusher closes the inlet and aggressively pushes the feed material into the crushing zone. With this movement, a far more aggressive feeding is achieved, than with regular Jaw crushers.

With the crusher discharge gap set, and the upward quad action pushes the rock upward into the crushing area, a more cubical product is made.

This crusher will produce a 0/65 mm (3/4 in.) spec material with a 5 % oversize in one pass.







## 02 Engine

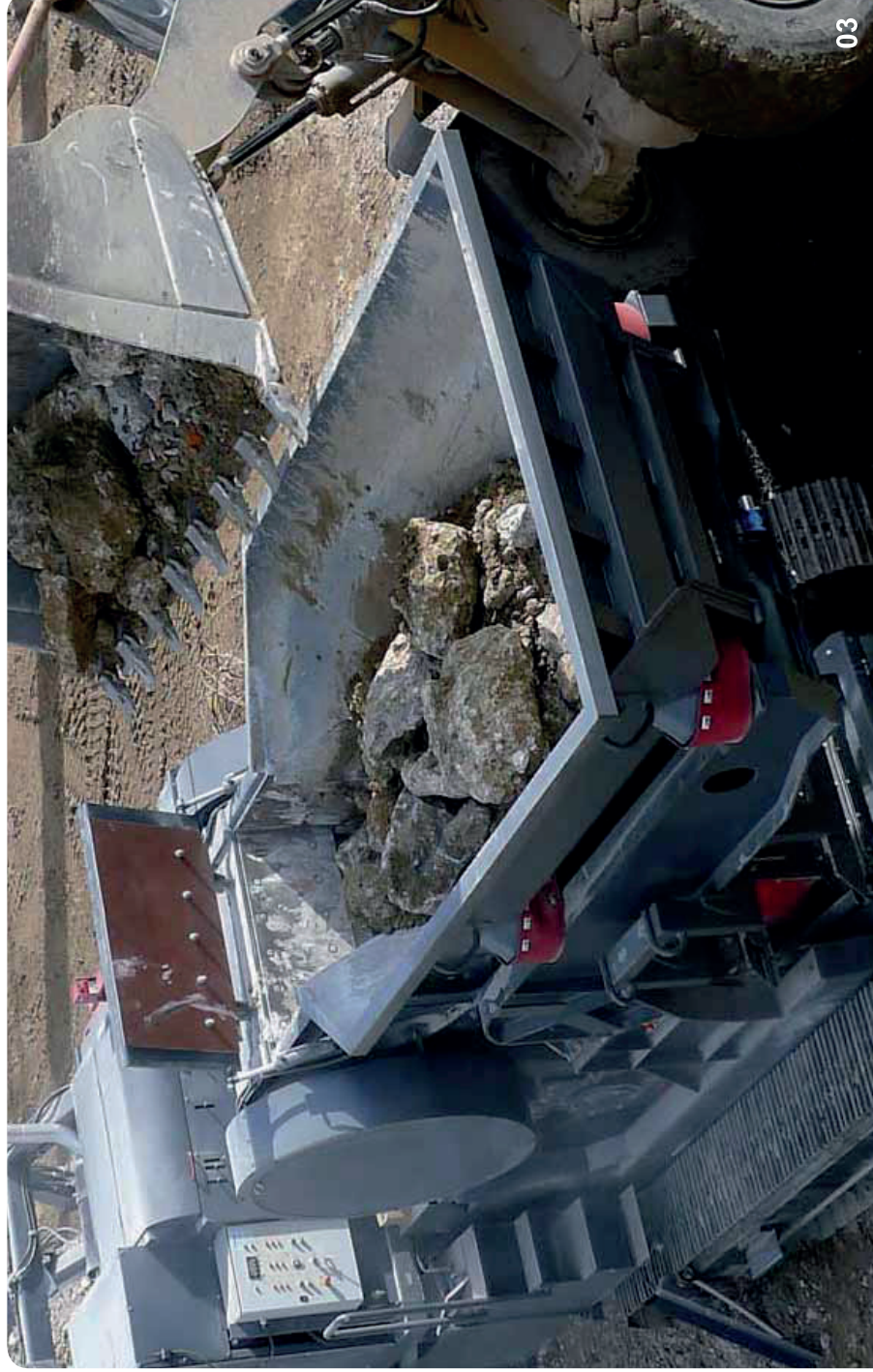
Motor: CAT C9-S13

Performance: 242 kW (324.52 Hp, 329,03 PS)

Cylinder: 6 cylinders in line

Cooling system: water cooled

The motor housing is sound and weather insulated. A central adjustable hydrostatic pump, flange mounted to the motor, powers all systems. The drive of the crusher is effected by a hydrostatic drive and is therefore infinitely adjustable.



## 03 Vibrating feed hopper with prescreening grizzly

Length: 3,42 m (135 in.)

Width: 1,1 m (43.31 in.)

Drive unit with vibrating gear

Prescreening 2-level 1,82 m x 1,1 m (71.65 in. x 43.31 in.)

Feending length lateral 3,1m (4.81 ft.)

backside 2,9 m (4.5 ft.)

Volume 4,5 m<sup>3</sup> (5.89 cu.yds)

## 04 Lateral discharge belt conveyor

Belt width: 650 mm (25.59 in.)

Length: 6 m (16.69 ft.)

Discharge height: 2,95 m (9.68 ft.)

The lateral discharge belt conveyor is build in a shiftable carriage. The side discharge belt can be mounted on either side. The reversing pre-screener chute conveyor will scalp the grizzly fines or blend them back into the crusher run.

No additional modification is necessary.







## 05 Main belt conveyor

Width of belt:	1200 mm	(48 in.)
Length of belt:	10,5 m	(34,45 ft.)
Belt material:	RIPSTOP	
Drive:	hydraulic radial-piston	
Drive power engine:	29 kW	(38.89 Hp)

The main discharge belt can be raised and lowered hydraulically for maintenance.

The clearance between the crusher discharge and the main belt receiving hopper can be adjusted hydraulically.

## 06 Permanent magnetic separator

Belt width:	750 mm	(30 in.)
Axle distance:	1840 mm	(72,44 in.)
Drive:	hydraulic	

## 07 Wireless remote control (Hetricon)

The system consists of a receiver unit which is mounted on the machine, a portable wireless transmitter with 2 rechargeable batteries, as well as one battery charger.

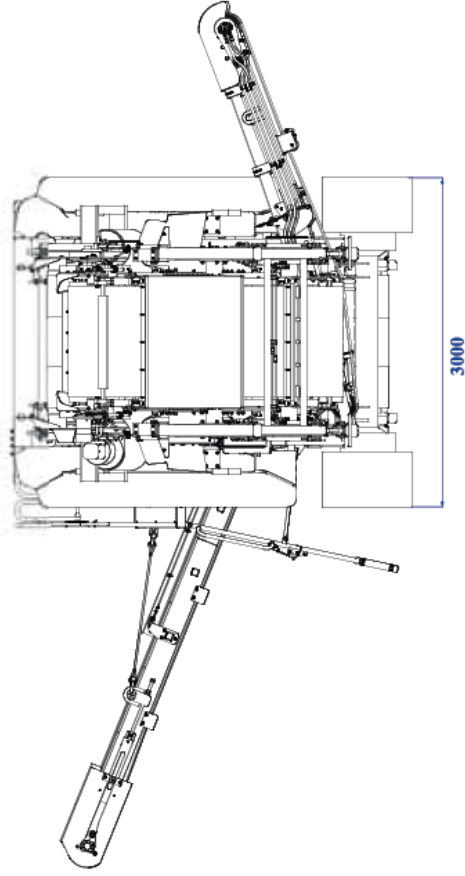
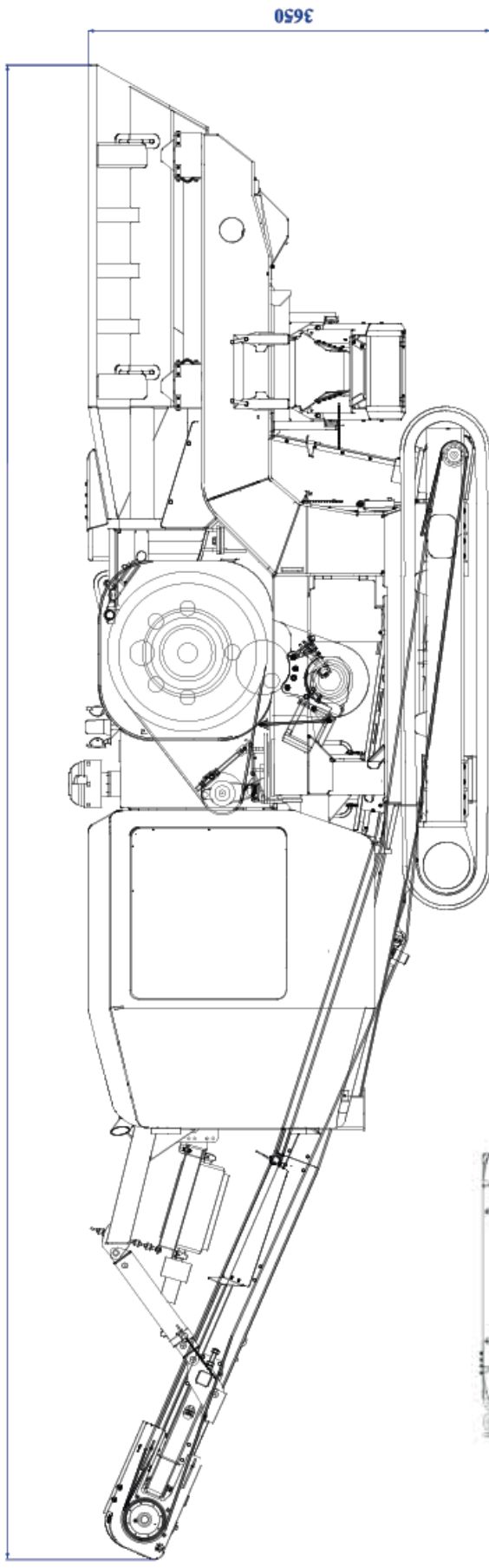
With this remote control it is possible to control and operate the hydraulic loading device and the vibrating feeder.

### Applications:

Hard Rock, Recycling with high content of unbreakable materials like iron, steel, etc

Furnace slag, Scoria slag, Iron ore





Thanks to the track crawlers, it's flexibility and the ease of use, the machine can easily be transported and moved on the jobsite.

After arriving on a jobsite, the jaw crusher is ready for operation within minutes and you can start the work promptly.

**DIMENSIONS:**

Working dimensions:

Length: 13,4 m (43.96 ft.)

Width: 6,2 m (20.34 ft.)

Transport dimensions:

Transport length: 13,4 m (43.96 ft.)

Transport width: 2,9 m (9.51 ft.)

Weight: 48 t

Transport height: 3,5 m (11.48 ft.)





**08 Optional equipment:**

**08-1 Screen box ST01BS**

For screening out the oversize the screener is connected to the crusher. For screen changes and maintenance, the screen box lowers hydraulically. Four bolts separate the screen box from the crusher.

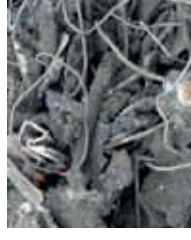
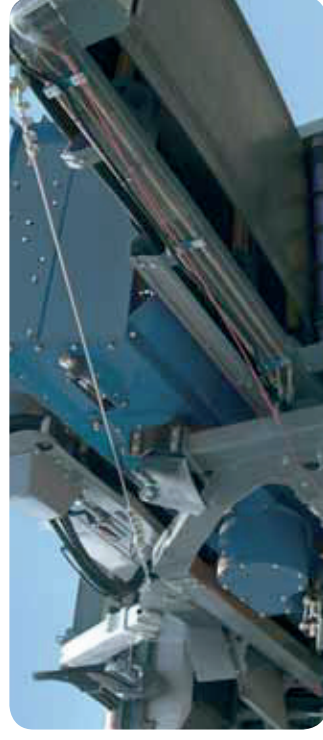
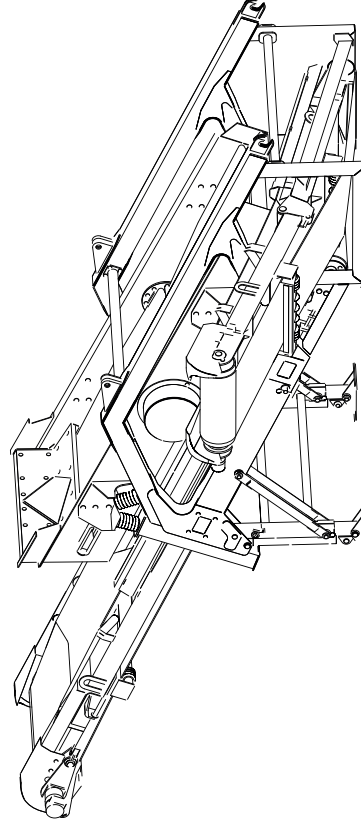
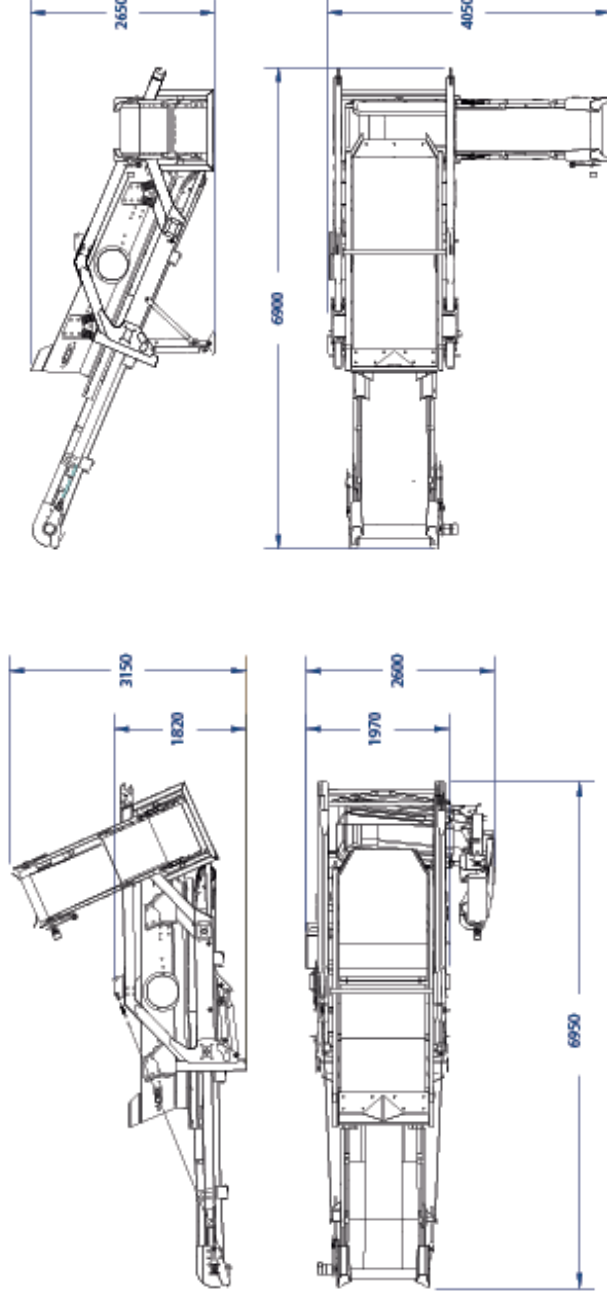
Numbers of decks: 1  
Screen size: 2800 x 1200 mm (9.18 ft. x 4 ft.)  
Screen: Choice of customer  
Drive: hydraulic

**08-1-1 Oversize conveyor**

Width: 650 mm (25.59 in.)  
Discharging height: 1470 mm (4.8 ft.)  
Drive: hydraulic

**08-1-2 Fine material conveyor**

Width: 1000 mm (40 in.)  
Discharging height: 2850 mm (9.3 ft.)  
Drive: hydraulic



Working dimensions:		Transport dimensions:		Oversize-Conveyor	
Length:	6.900 mm	Length:	6.900 mm	Length:	3.950 mm
Width:	4.050 mm	Width:	1.970 mm	Width:	1.200 mm
Height:	2.650 mm	Height:	1.820 mm	Height:	880 mm
Feeding:	mounted on crusher	Weight:	ca 3,6 t		