

RVS 75 - 5000 - 10000 - 20000

Data sheet

The Kongskilde MultiSeparator range type RVS is developed for pneumatic waste handling systems for productions and processes within the paper industry with high production rates which demands high vacuums and material capacities.

A Kongskilde RVS MultiSeparator offers unique technical specifications which results in flexible and high efficient systems with outstanding performances. The RVS MultiSeparator range covers air flows from 0 to 20.000 m³/h with negative pressures up to 35.000 Pa dependent on the MultiSeparator size.

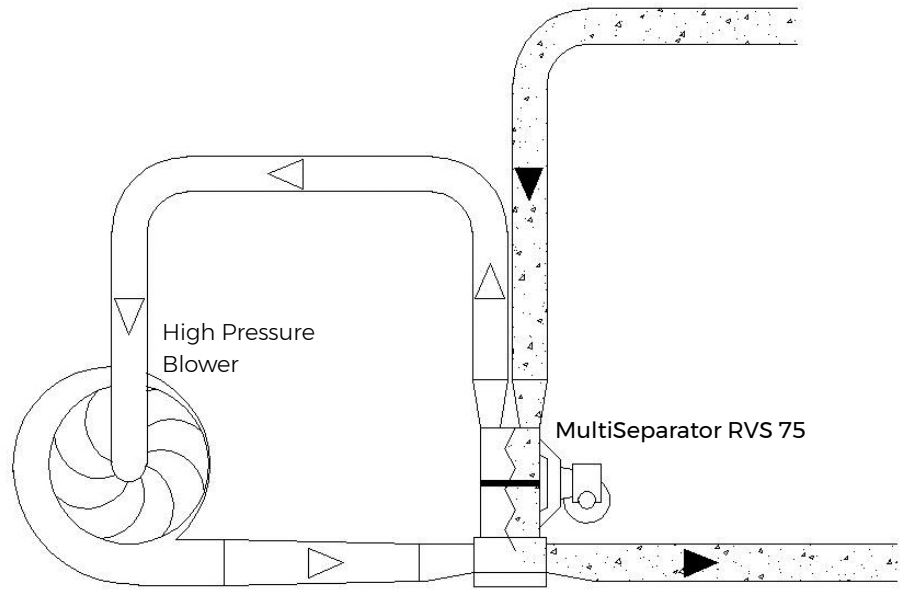
Due to the very tight construction of the RVS MultiSeparator the range is suitable to be installed directly on top of a baler, compactor or similar installed in a vacuum system.



Principal of Function

RVS 75

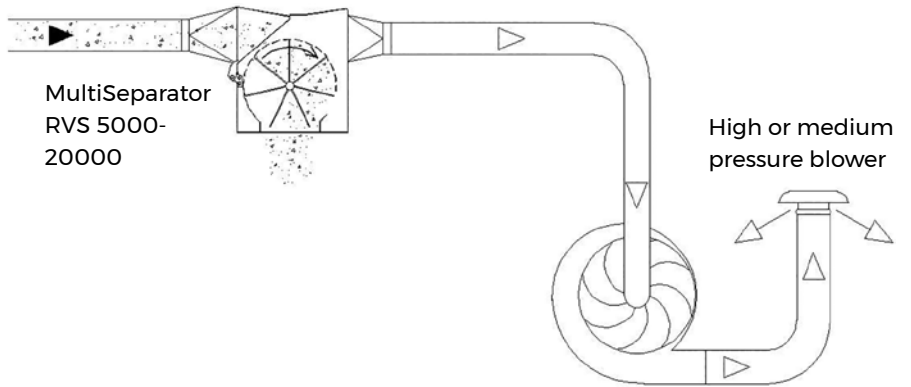
The rotor of the MultiSeparator RVS 75 is divided into 2 parts, separated by a perforated screen which is turning at a slow speed. On the upper, or inlet, side, the conveying air passes through the perforated screen to the blower inlet, whilst waste material is retained in the compartment. On the lower side, the air from the blower outlet passes through the perforated screen and the rotor compartment, ensuring an efficient discharge into the conveying line to the final destination.



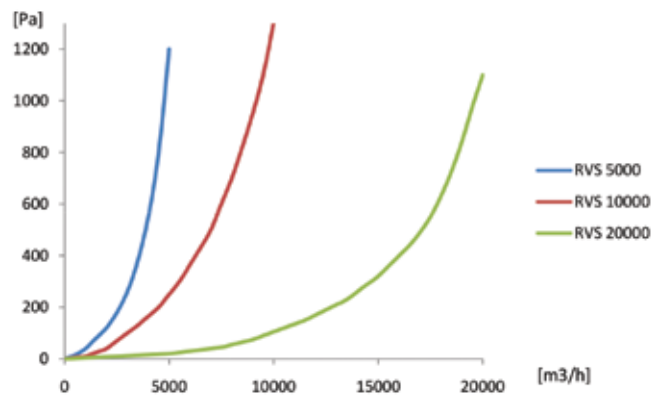
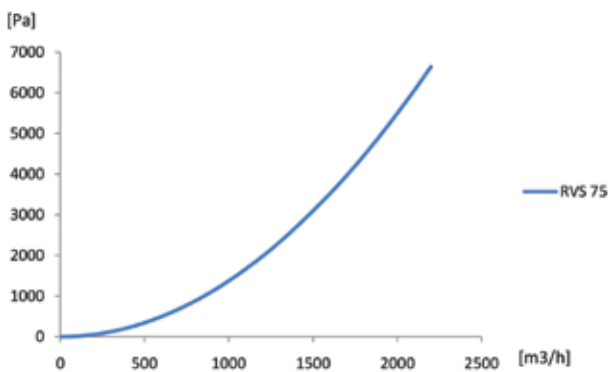
Principal of Function

RVS 5000, RVS 10000 & RVS 20000

The rotor in the MultiSeparator RVS 5000 to 20000 is divided into 7 compartments allowing the material to fill up the complete width of the compartment. When turning the air will pass through a perforated screen in the MultiSeparator housing and the rotor lips will ensure that the material will stay in the compartment as the rotor turns and releases the material pressure and flow neutral out of the bottom.



Pressure loss diagrams

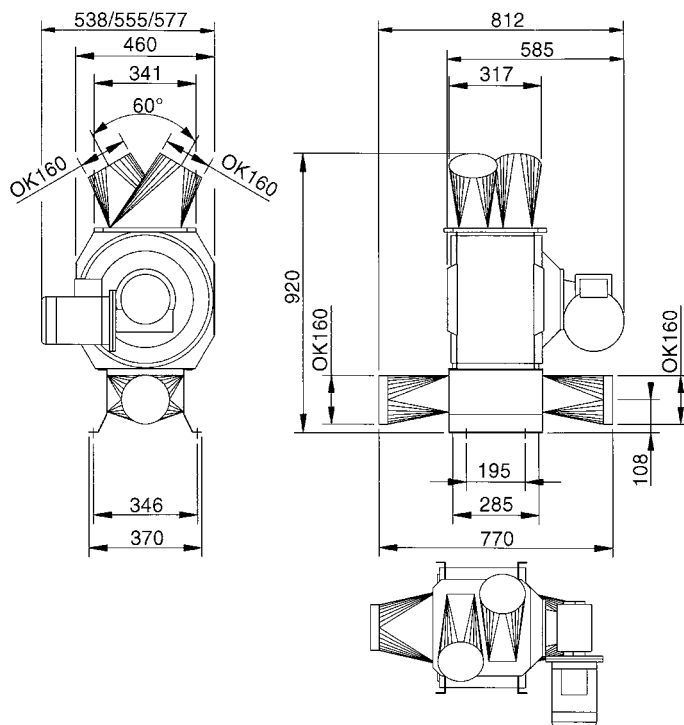


Technical data

	RVS 75	RVS 5000	RVS 10000	RVS 20000
Max air volume	2,500 m ³ /h	5,000 m ³ /h	10,000 m ³ /h	20,000 m ³ /h
Max negative pressure	-35 kPa	-35 kPa	-20 kPa	-15 kPa
Motor /Gear	1.1 kW / 35 rpm 1.5 kW / 56 rpm 2.2kW / 70 rpm	1.5 kW / 17 rpm	2.2 kW / 17 rpm	4.0kW / 17 rpm
Weight	113 kg (1.1 kW) 117 kg (1.5 kW) 119 kg (2.2 kW)	340 kg	600 kg	1,240 kg
Material amount (at 100 g/m ² or 100μ)*	100 kg/h*	1,200 kg/h*	2,000 kg/h*	4,000 kg/h*

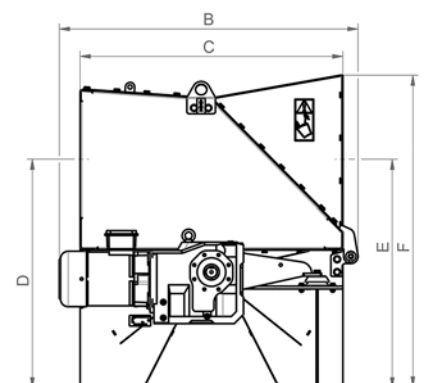
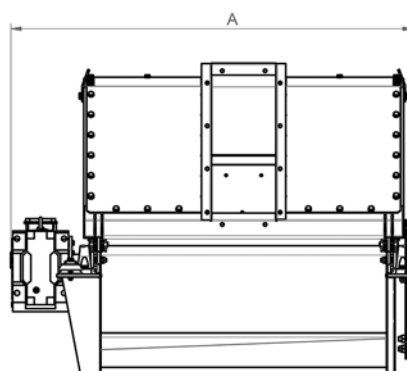
* Material amount should be used as guideline and the values are specific for the mentioned material specification. For exact capacity for materials with different material specifications verification from Kongskilde would be required.

Dimensions RVS 75

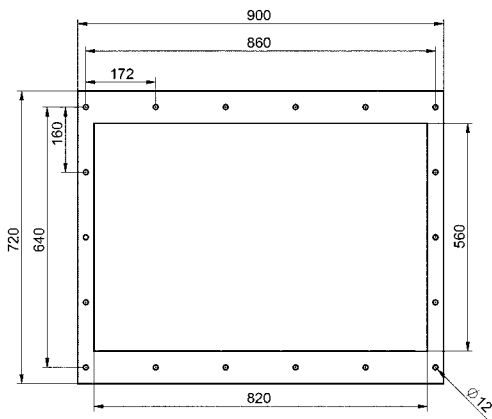


Dimensions RVS 5000, 10000 and 20000

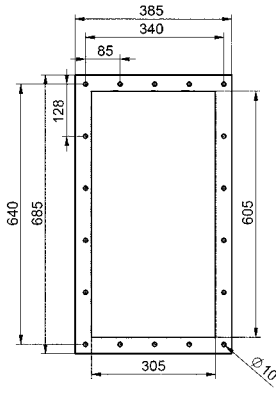
	RVS 5000	RVS 10000	RVS 20000
A	1094	1409	1977
B	840	1045	1383
C	720	920	1320
D	607	803	1200
E	607	803	1200
F	808	1091	1537



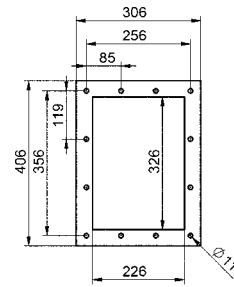
Flange connections RVS 5000



Material outlet

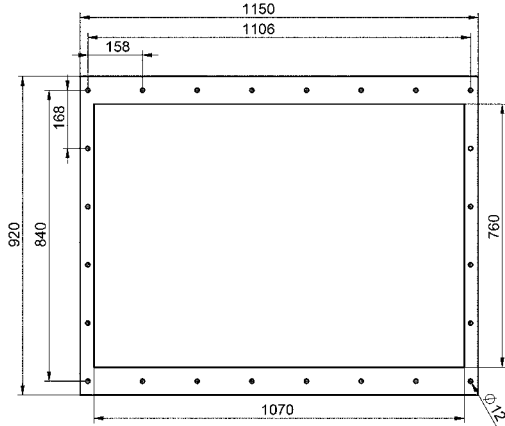


Air outlet

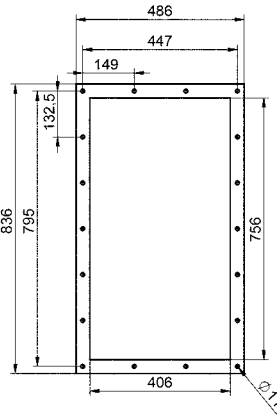


Air inlet

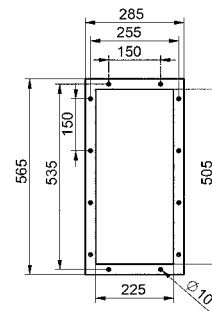
Flange connections RVS 10000



Material outlet

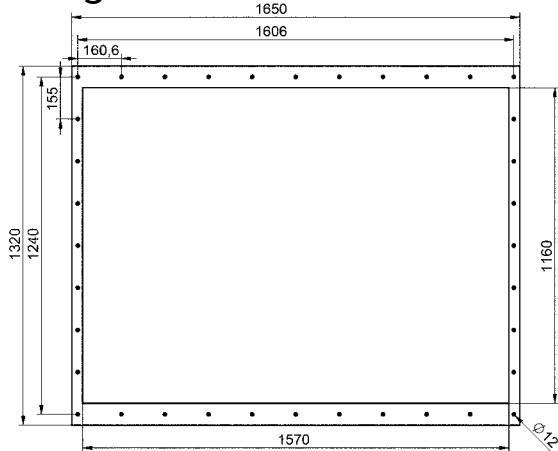


Air outlet

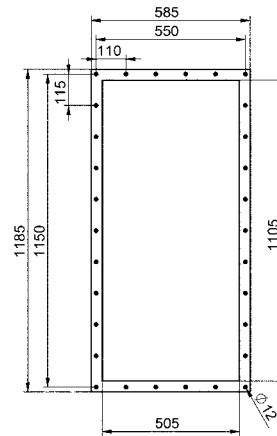


Air inlet

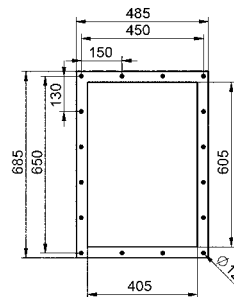
Flange connections RVS 20000



Material outlet



Air outlet



Air inlet

Service and Maintenance

	RVS 5000	RVS 10000	RVS 20000
X	450	625	825
Y	1225	1600	2300
B	65°	65°	65°

