



CONCRETE CRUSHER

CC 700

The most powerful crusher in its weight class!



- Crushes concrete up to 60 cm (23,6 inches)
- Cuts reinforcements up to 28 mm (1,1 inches)
- A powerful lightweight – 70 t crushing force
- Excellent performance
- Only a small carrier required
- Ideally suited for demolition in tight places
- A built-in booster makes the crusher independent of the carrier's working pressure
- Special wear resistant and replaceable crusher tips
- Pivot for 360° rotation

Optional with additional teeth

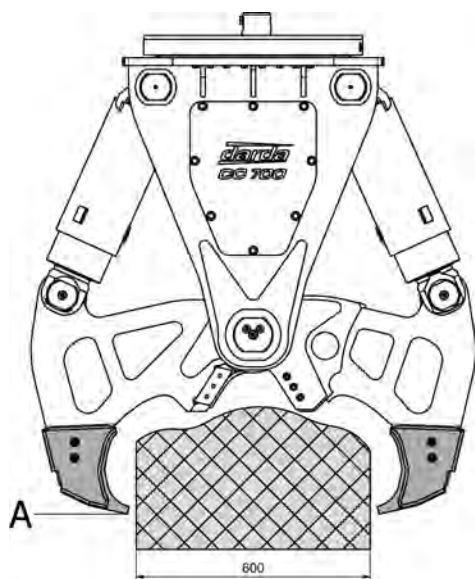
- For "smaller" walls up to 45 cm (17,7 inches)
- Quick and easy to install

darda[®]

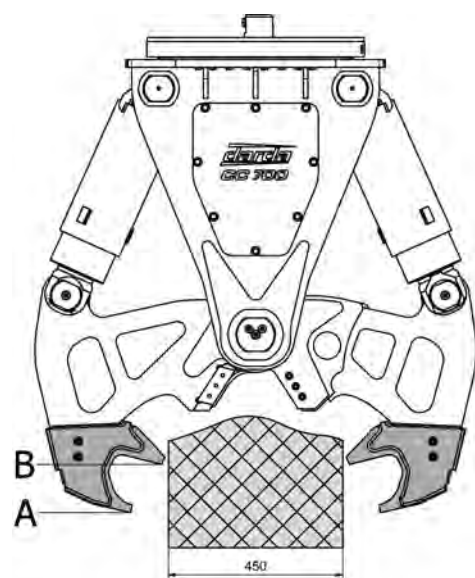
We've got the power.

CONCRETE CRUSHER CC 700

Muscle power in slim design!



Crusher with standard tips



Crusher with additional teeth

Specifications CC 700

Measurements		
Total length ^{1,2}	1126 mm	44 inches
Total length with hydr. rotary drive ^{1,2}	1445 mm	57 inches
Total width ¹	1140 mm	45 inches
Total height	300 mm	12 inches
Maximum distance between crusher tips	650 mm	26 inches
Weights		
Total weight without hydr. rotary drive, approx. ²	530 kg	1168 lbs
Total weight with hydr. rotary drive, approx. ²	600 kg	1323 lbs
Recommended weight of carrier ³	7 - 15 t	15428 - 33060 lbs
Hydraulics		
Minimum pressure	17,5 MPa (175 bar)	2538 psi
Maximum pressure	27,0 MPa (270 bar)	3916 psi
Working pressure	50,0 MPa (500 bar)	7252 psi
Oil flow max.	150 l/min	39,6 US gal/min
Performance (at input pressure > 17,5 MPa (175 bar))		
A: Maximum crushing force ⁴	680 kN (70 t)	152870 lbf
B: Maximum crushing force ⁴	1240 kN (126 t)	278763 lbf
Maximum cutting force ⁵	2174 kN (222 t)	488734 lbf
Cutting capacity max.	d = 28 mm	d = 1,1 inches
Time to close, approx. ⁶	3 s	3 s
Time to open, approx. ⁶	2,5 s	2,5 s

¹ When completely extended ² Without mounting plate ³ Depends on carrying capacity table of the excavator manufacturer ⁴ Force at the crusher tips when open ⁵ Force at the cutter blades

⁶ With an oil flow of approx. 150 l/min.

Mounting plates for different carriers on request



darda®

We've got the power.

Darda GmbH

Im Tal 1

Fon + 49 (0) 77 02 / 43 91 - 0

Fax + 49 (0) 77 02 / 43 91 - 12

info@darda.de

www.darda.de

Our distributor: