

PA 5055 ECO

5.0m (16' 5") reach

PA 5555 ECO

5.5m (18' 1") reach

PA 6055 ECO

6.0m (19' 8") reach

ECOSERIES

A range of three right-hand machines created exclusively for the European market, the ECO-series offers reach sizes of 5.0m, 5.5m and 6.0m and features a high performance 54hp hydraulic system.

Machine Features

- » 5.0m, 5.5m, and 6.0m reach
- » High-performance 54hp hydraulics
- » Right hand build for export only
- » Three point linkage mounting
- » 100-degree Power Slew
- » Independent rotor control
- » 80ltr oil tank capacity
- » Hydraulic safety breakaway
- » Five different controls
- » Wide choice of cutting attachments

Markets

- » Agricultural
- » Contractors
- » Local government

Tractor Requirements

- » 3,500kg minimum tractor weight
- » 60hp minimum tractor horsepower






Tractor	PA5055 ECO	PA5555 ECO	PA6055 ECO		PA5055 ECO	PA5555 ECO	PA6055 ECO
Horsepower Requirements	60hp	60hp	60hp	Minimum Tractor Weight	3500kg	4000kg	4500kg
Machine Specification							
Maximum Reach	5.0m (16'5")	5.5m (18'1")	6.0m (19'8")	Power Arm Horsepower	54hp	54hp	54hp
Machine Weight*	785kg	785kg	940kg	Oil tank Capacity	200ltr	200ltr	200ltr
Hydraulics							
Gear Semi Independent			<input type="checkbox"/>	Gear Totally Independent			<input type="checkbox"/>
Method of Attachment							
3-Point Linkage-Mounted			<input checked="" type="checkbox"/>	5-Point Axle Bracket-Mounted			<input type="checkbox"/>
Controls							
Cable Control			<input type="checkbox"/>	Xtra Touch Control - Mini (XTC - Mini)			<input type="checkbox"/>
Switchbox			<input type="checkbox"/>	Xtra Touch Control			<input type="checkbox"/>
Monolever			<input type="checkbox"/>	REVOLUTION Control + EDS (Optional)			<input type="checkbox"/>
Machine Equipment							
Parallel Arm Geometry			<input type="checkbox"/>	Telescopic Dipper Arm			<input type="checkbox"/>
Midcut Pack			<input type="checkbox"/>	Angle Float Kit - <i>Standard On Electric Models</i>			<input type="checkbox"/>
Lift Float Kit			<input type="checkbox"/>	Easy Drive System (EDS)			<input type="checkbox"/>
Oil Cooler			<input type="checkbox"/>	Power Slew			<input checked="" type="checkbox"/>
Safety Breakaway - <i>Hydraulic</i>			<input checked="" type="checkbox"/>	Cable Rotor Control - <i>Dual Rotation (Ti only)</i>			<input type="checkbox"/>
Road Lighting Kit			<input type="checkbox"/>	Electric Rotor Control - <i>Dual Rotation (Ti only)</i>			<input type="checkbox"/>
Warning Arrow - <i>Magnetic</i>			<input type="checkbox"/>	Window Guards			<input checked="" type="checkbox"/>
Cushioned Top Link			<input type="checkbox"/>	Debris Blower			<input type="checkbox"/>
Front Mounting Build			<input type="checkbox"/>	Orbitor Head Kit			<input type="checkbox"/>
Front Flap Kit			<input type="checkbox"/>	Flailhead Skid Kit			<input type="checkbox"/>
Power Arm Attachments							
1.20m	Swingtrim Cutter Bar		<input type="checkbox"/>	1.50m	Omega Flailhead - <i>DD or BD</i>		<input type="checkbox"/>
1.50m	Swingtrim Cutter Bar		<input type="checkbox"/>	1.60m	Multicut Flailhead - <i>DD or BD</i>		<input type="checkbox"/>
1.50m	Sheartrim Cutter Bar - <i>SD</i>		<input type="checkbox"/>	1.60m	Omega Flailhead - <i>DD or BD</i>		<input type="checkbox"/>
1.60m	Sheartrim Cutter Bar - <i>MD</i>		<input type="checkbox"/>	2.00m	Multicut Flailhead - <i>DD or BD</i>		<input type="checkbox"/>
2.00m	Sheartrim Cutter Bar - <i>MD</i>		<input type="checkbox"/>	1.20m	Rotary Head - <i>FC - 2 Rotor</i>		<input type="checkbox"/>
1.40m	Sheartrim Cutter Bar - <i>HD</i>		<input type="checkbox"/>	1.20m	Rotary Head - <i>MD - 1 Rotor</i>		<input type="checkbox"/>
2.20m	Sheartrim Cutter Bar - <i>HD</i>		<input type="checkbox"/>	1.50m	Rotary Head - <i>HD - 1 Rotor</i>		<input type="checkbox"/>
1.00m	Compact Supercut Flailhead - <i>GDD</i>		<input type="checkbox"/>	1.60m	Multisaw 1600		<input type="checkbox"/>
1.20m	Supercut Flailhead - <i>DD</i>		<input type="checkbox"/>	2.00m	Multisaw 2000		<input type="checkbox"/>
1.20m	Multicut Flailhead - <i>DD or BD</i>		<input type="checkbox"/>	2.40m	Multisaw 2400		<input type="checkbox"/>
1.20m	Omega Flailhead - <i>DD or BD</i>		<input type="checkbox"/>	0.70m	Ditch and Grip Cleaner		<input type="checkbox"/>
1.50m	Multicut Flailhead - <i>DD or BD</i>		<input type="checkbox"/>				

Standard Equipment Optional Equipment Not Available

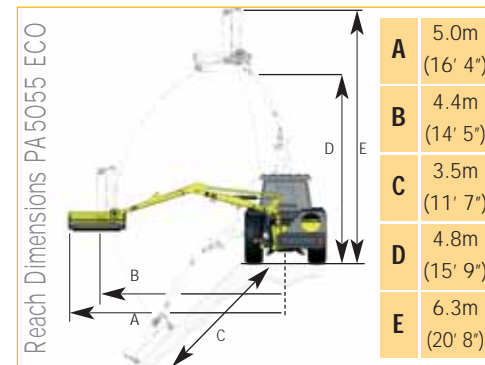
* depending on machine specification and attachment

Control Options

The boxes that are ticked indicate the control options available for this Power Arm

<input checked="" type="checkbox"/>		<input checked="" type="checkbox"/>	
	Cable		Switchbox
<input checked="" type="checkbox"/>		<input checked="" type="checkbox"/>	
	Monolever	<input checked="" type="checkbox"/>	XTC - Mini
<input checked="" type="checkbox"/>		<input checked="" type="checkbox"/>	
	XTC		REVOLUTION

»» Choice of Controls



»» For illustration purposes only



»» Verge Mowing



»» Verge Mowing



»» Transport Position