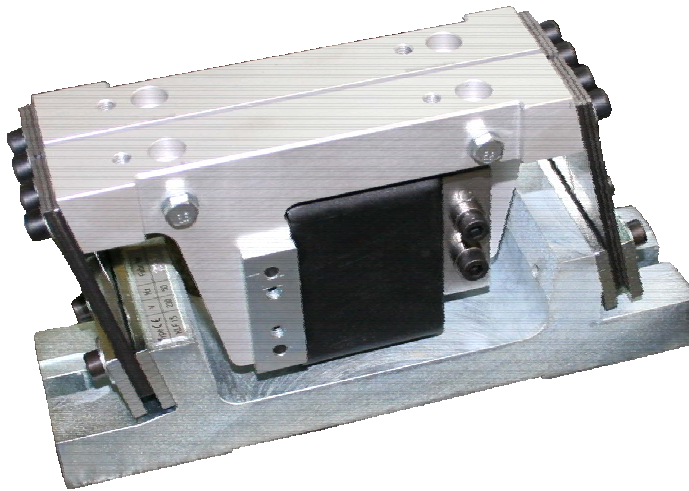




Product Information

Linear Feeder SLS



Application

Particularly suitable for:

Parts with a highly precise guidance at the changeover to separation or vibratory bowl feeder

Function

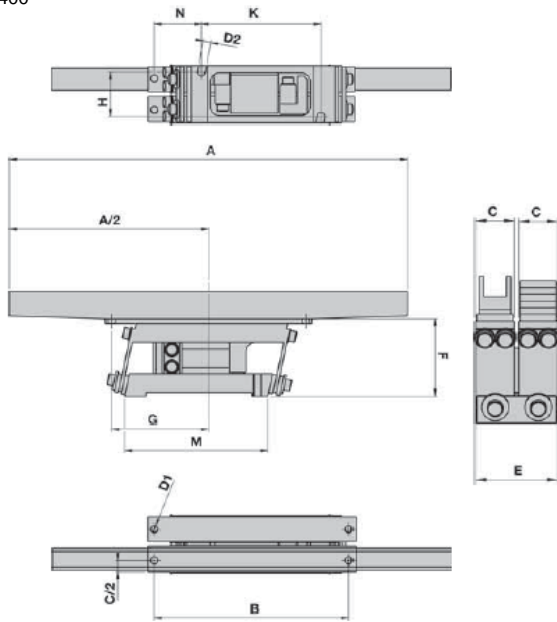
Owing to the counter vibration principle with the linear feeder type SLS, the vibrating forces in the base plate are almost balanced.

Advantages

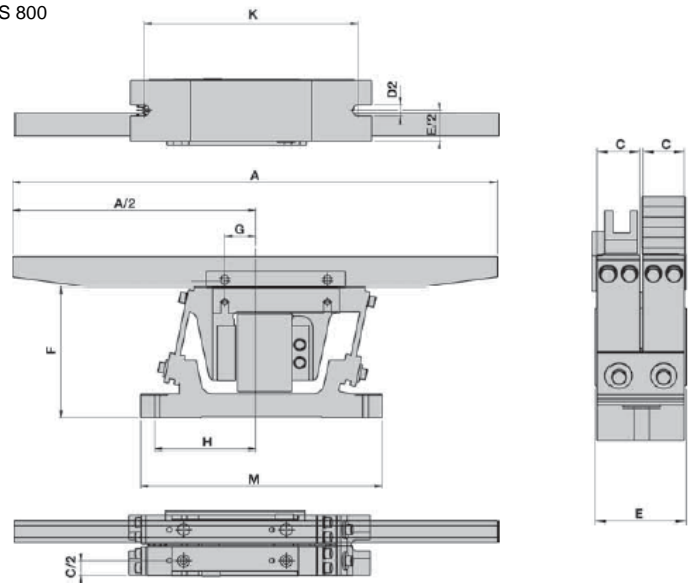
- Compensation of the vibrating forces in the drive unit
- No vibrations are transferred to the substructure
- No reciprocal influence between several combined devices
- No influence on other devices and processes even in the immediate surroundings
- Highest precision at the interfaces
- Through an adjustable fixing, the transfer points do not need to be adjusted during maintenance.



SLS 250
SLS 400



SLS 600
SLS 800



Technical Data:

Type	SLS 250	SLS 400	SLS 600	SLS 800
Measurement A (mm)	150-250	200-400	300-600	500-800
Measurement B (mm)	122	58	85	150
Measurement C (mm)	17	17	24	29
Measurement D1 (mm)	4.5	4.5	5.5	6.6
Measurement D2 (mm)	4.5	7	9	10
Measurement E (mm)	36	36	50	60
Measurement F (mm)	49	79.7	111.7	139.7
Measurement G (mm)	56	10	30	45
Measurement H (mm)	28	52	88	133
Measurement K (mm)	75	128	177	283
Measurement M (mm)	90	140	200	300
Measurement N (mm)	17.3	-	-	-
Max. weight of the feeding track (kg)	0.3	0.65	1.5	3.0
Weight of basic unit (kg)	0,7	1	2	7
Max. power input (VA)	10	15	25	60
Control box	ESG 1000	ESG 1000	ESG 1000	ESG 1000



Rhein-Nadel Automation GmbH

Reichsweg 19-42 • D-52068 Aachen

Telefon +49 (0)241 5109-0 • Telefon (Vertrieb)+49 (0)241 5109-159 • Fax +49 (0)241 5109-219