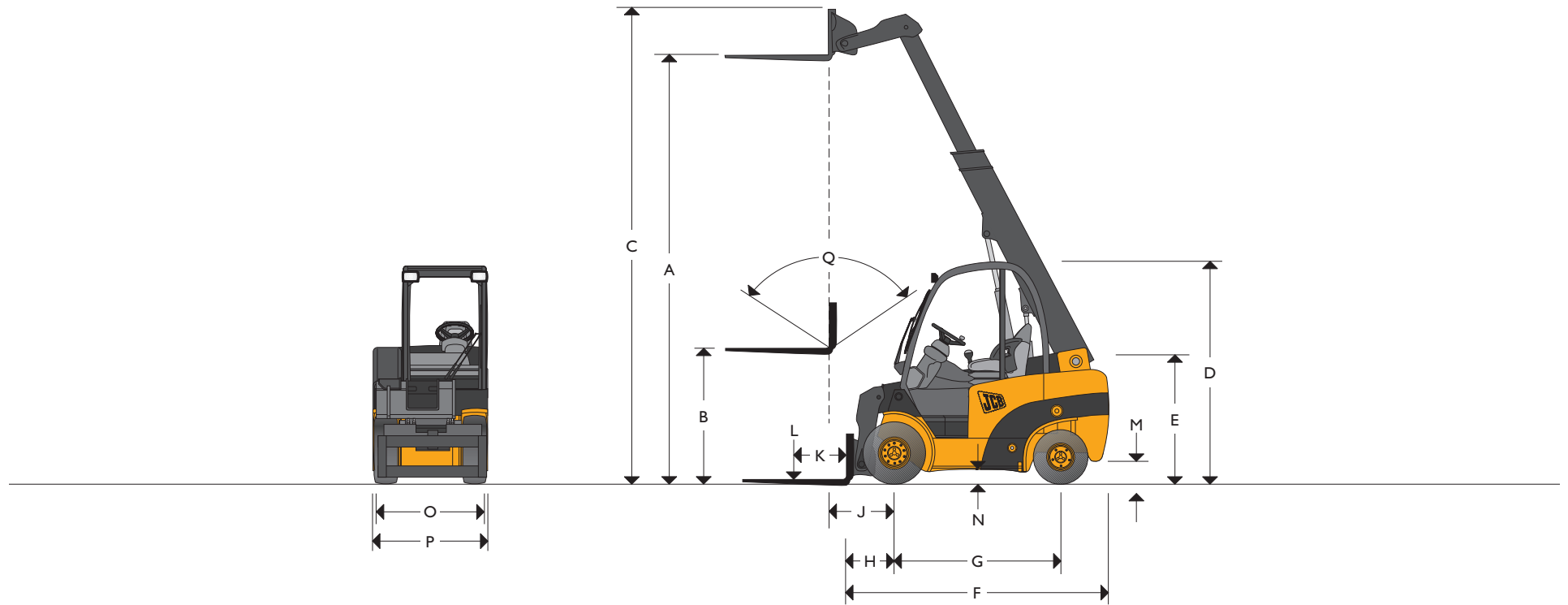




ENGINE FUEL TYPE: DIESEL OR LPG LIFT CAPACITY: UP TO 3.5 TONNES



STATIC DIMENSIONS

Model		TLT25/25HL	TLT30	TLT35	
A	Lift height	mm	4100	4100	4400
B	Free lift (standard)	mm	1424	1410	1210
C	Height boom extended	mm	4580	4625	4975
D	Height of overhead guard (std/low)	mm	2190/2090	2205/2105	2205/2105
E	Height of operator's seat (std/low)	mm	1086/1066	1091/1071	1200/1180
F	Length to fork face	mm	2625	2750	3000
G	Wheelbase	mm	1700	1700	1950
H	Distance from c/l of front axle to fork face	mm	500	515	595

Model		TLT25/25HL	TLT30	TLT35	
J	Distance from c/l of front axle to fork face	mm	700	715	795
K	Load centre	mm	500	500	500
L	Lift capacities (with sideshift)	kg	2500	3000	3500
M	Ground clearance (lowest point)	mm	115	130	125
N	Ground clearance wheelbase centre	mm	140	155	155
O	Fork carriage width	mm	1100	1200	1200
P	Maximum width of machine	mm	1175	1280	1280
Q	Carriage tilt total* F/B variable through lift arc	degrees	111*	111*	111*



GENERAL SPECIFICATION

Model	TLT25/25HL	TLT30	TLT35	
Engine type	Diesel/LPG	Diesel/LPG	Diesel	
Engine manufacture	D-JCB/G-G.M.	D-JCB/G-G.M.	Deutz	
Engine model	D-404 2.2/G-3.0 L4	D-404 2.2/G-3.0 L4	2011-L04W	
Engine output (gross power)	kW	D-35.6/G-43	D-35.6/G-43	46
Rated rpm	D-2600/G-2600	D-2600/G-2600	2600	
Number of cylinders	D-4/G-4	D-4/G-4	4	
Cubic capacity	cm ³	D-2200/G-2966	D-2200/G-2966	3620
Working pressure for attachments	bar	170	170	170
Oil flow for attachments	l/min	70	70	70
Maximum reach ground level (500mm load centre)	mm	2230	2230	2280
Maximum reach boom horizontal (500mm load centre)	mm	2390	2390	2430
Turning radius	mm	2440	2490	2885
Aisle width 90° stacking 800 x 1200/1000 x 1200	mm	3940/4140	4005/4205	4480/4680
Weight unladen	kg	D-4220/G-4280 D-4340/G-4400	D-4900/G-4960	5100
Travel speed (standard)	km/h	20	20	20
Gradeability (laden/unladen)	%	25/21	25/21	25/21
Transmission		TCR/I.T.	TCR/I.T.	TCR
Park brake type		Hand	Hand	Hand
Shovel rated capacity	m ³	0.6	0.6	0.6
Shovel struck capacity	m ³	0.5	0.5	0.5
Shovel dump height (30°)	mm	2400	2400	2680
Shovel rollback angle at ground	degrees	37	37	33
Shovel width	mm	1385	1385	1385
Tyres PPS (semi-solid), L (pneumatic)		PPS/L	PPS/L	PPS/L
Tyre size front (standard)		7.00 x 12	27 x 10 x 12	27 x 10 x 12
Tyre size rear (standard)		6.00 x 9	6.50 x 10	23 x 9 x 10

STANDARD FEATURES

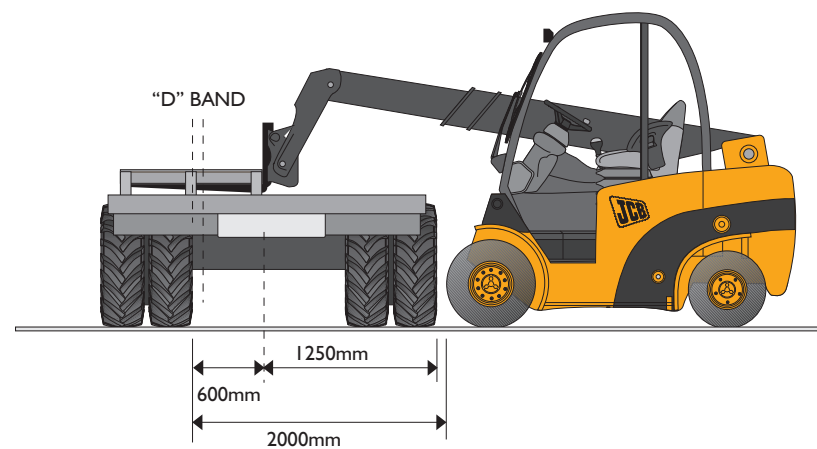
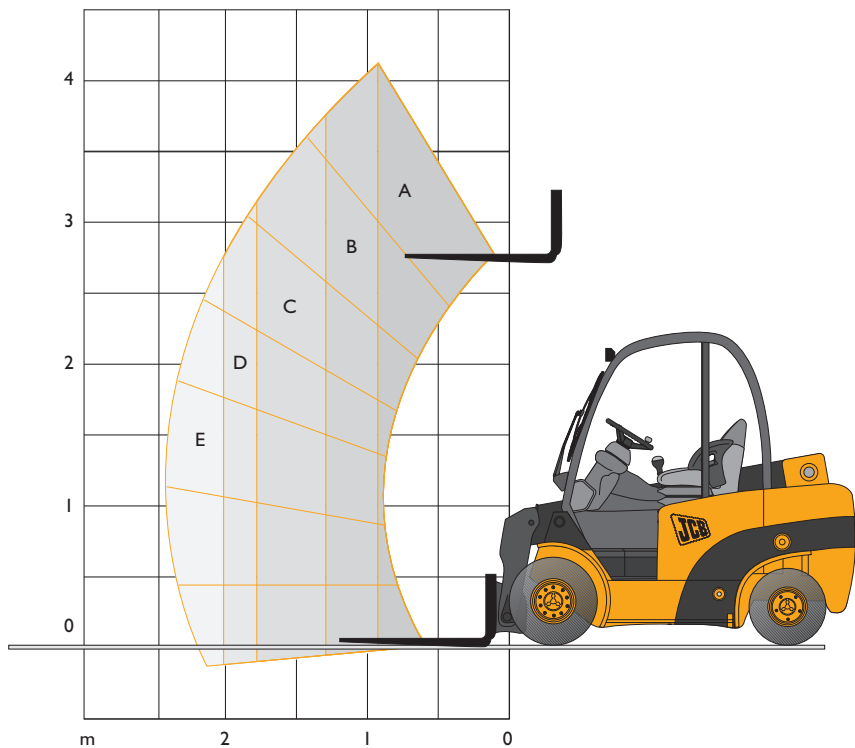
- Versatile telescopic two-piece boom.
- Superb forward visibility.
- Information display centre (I.D.C) complete with warning lights, hourmeter, diesel fuel gauge.
- JCB 'TCR' torque converter response transmission.
- Comfortable operator's enclosure (structure fully meets international safety standards for (ROPS) Roll-Over Protection and (FOPS) Falling Object Protection).
- Seat belt and hip restraint on fully adjustable seat.
- Load moment indicator.
- Self levelling forks.
- Hose-burst-check valves on tilt, lift, and extension ram circuits.
- Front screen guard.
- Operator's daily checks completed via single easy-access panel, and excellent service access to major components.
- Battery isolator.
- Security etched glazing.
- Working lights front and rear.
- 111 Degree carriage tilt.
- Bucket mode switch.

OPTIONS

Over 100 build options, including:

- Choice of pneumatic, foam filled or PPS tyres.
- Lightweight re-handling shovel.
- Bagezee 'trapdoor' shovel for loading/filling big bags in single operation.
- Quick disconnect system for easy changing between attachments.
- Sideshift carriage and various forks.
- Range of load guards, attachments, exhaust purification systems, etc.
- Various operator environments: safety mesh to operator's right, glazing to front/rear/top. Full cab with door and heater.
- Low-height cab (for containers check height and floor loadings).
- Vinyl or fabric seat in high/low versions.
- Roadlights.
- Flow divider.

LIFT CAPACITIES



Capacity bands	TLT 25	TLT 25HL	TLT 30	TLT 35
A	2500kg	2500kg	3000kg	3500kg
B	2000kg	2175kg	2500kg	3000kg
C	1500kg	1650kg	2000kg	2500kg
D	1275kg	1400kg	1750kg	2100kg
E	1000kg	1075kg	1500kg	1700kg



A GLOBAL COMMITMENT TO QUALITY

JCB's total commitment to its products and customers has helped it grow from a one-man business into Britain's largest privately owned manufacturer of backhoe loaders, crawler excavators, wheeled excavators, telescopic handlers, wheeled loaders, dump trucks, rough terrain fork lifts, industrial fork lifts, mini/midi excavators, skid steer loaders, tractors and compaction equipment.

By making constant and massive investments in the latest production technology, the JCB factories have become some of the most advanced in the world.

By leading the field in innovative research and design, extensive testing and stringent quality control, JCB machines have become renowned all over the world for performance, value and reliability.

And with a global sales and service network of more than 650 dealers and agents, we aim to deliver the best customer support in the industry.

Through setting the standards by which others are judged, JCB has become one of the world's most impressive success stories.

