



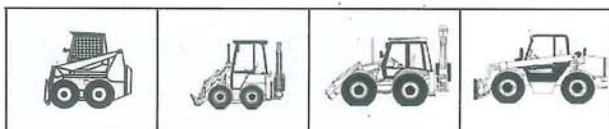
Grapas industriales - Serie A

Industrial grapples - A series



Características

Specifications



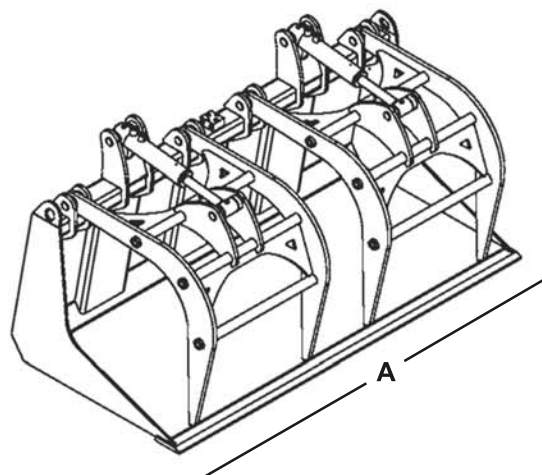
▲ Sencilla y rápidamente acoplable a una gran cantidad de máquinas
Easily and quickly attached to different machines

Especificaciones Técnicas

Technical features

| Modelo Model | A (mm) | Grapa (ancho) Grapple (width) (mm) | Peso Weight (Kg) |
|-----------------|-----------|--|------------------------|
| IG.A1420 | 1420 | 2X535 | 320 |
| IG.A1570 | 1570 | 2X535 | 340 |
| IG.A1700 | 1700 | 2X535 | 350 |
| IG.A1820 | 1820 | 2X535 | 360 |
| IG.A2030 | 2030 | 2X650 | 410 |

CE



Modelos, datos técnicos e ilustraciones sujetas a cambios sin previo aviso. Models, specifications and illustrations are subject to change without notice.