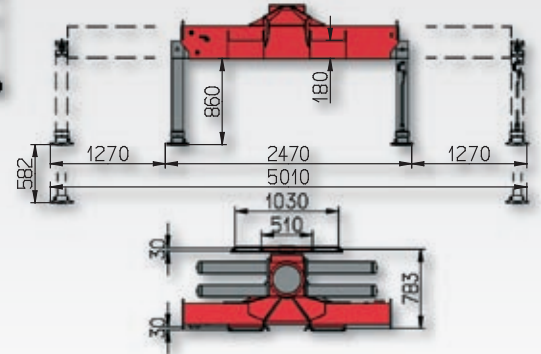
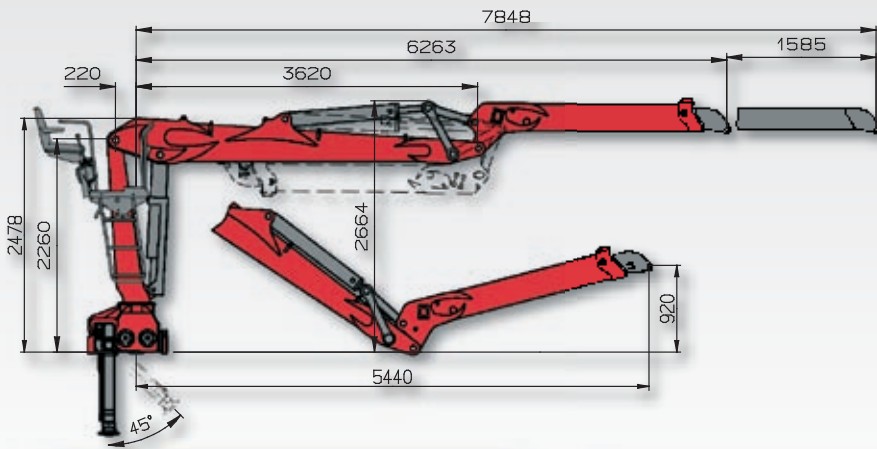


**L130K / L150K / L170K**


9987 (10164)

L170K	2980	2510	2150	1850	1620
L150K	2740	2390	2050	1740	1460
L130K	2480	2160	1800	1560	1320

**100** [kg] [m]

7547 (7724)

L170K	4840	3750	3120	2640	2240
L150K	3280	2980	2950	2370	1790
L130K	3020	2730	2710	2170	1640

**76** [kg] [m]

9607 (9784)

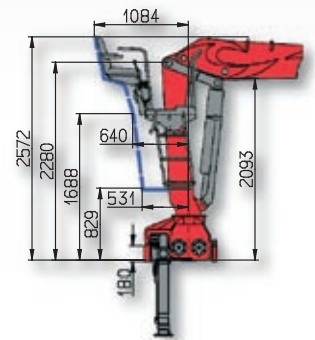
L170K	3010	2550	2170	1870	1640
L150K	2740	2390	2050	1670	1360
L130K	2480	2160	1850	1530	1230

**96** [kg] [m]

7165 (7342)

L170K	4920	3820	3180	2710	2300
L150K	4160	3500	3040	2310	1740
L130K	3820	3210	2760	2120	1590

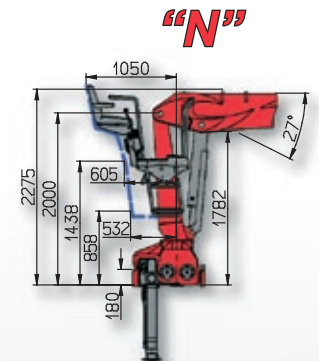
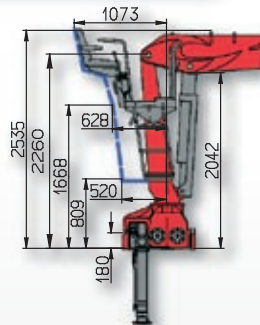
**72** [kg] [m]

**L170K**


8228 (8405)

L170K	5040	3800	3070	2600	2230	1960
L150K	4340	3370	2810	2460	2100	1830
L130K	3950	3060	2550	2200	1890	1650

**83** [kg] [m]



8230 (8407)

L170K	4960	3740	3050	2590	2210	1900
L150K	4460	3460	2890	2460	2110	1720
L130K	3940	3040	2620	2230	1910	1570

**82** [kg] [m]

7848 (8025)

L170K	5030	3810	3110	2650	2260
L150K	4280	3360	2830	2460	2120
L130K	3880	3050	2580	2230	1910

**79** [kg] [m]



	L130K	L150K	L170K
	Y	Y	Y
.72	2650		2790
.75	2980		3120
.79	3380		3440
.82	3650		3770
.83	3670		3810
.96	3160		3295
.100	3520		3660


[www.transgruas.com](http://www.transgruas.com)
[info@transgruas.com](mailto:info@transgruas.com)

 Barcelona  
938498388

 Madrid  
918951758

 Vitoria  
945365601