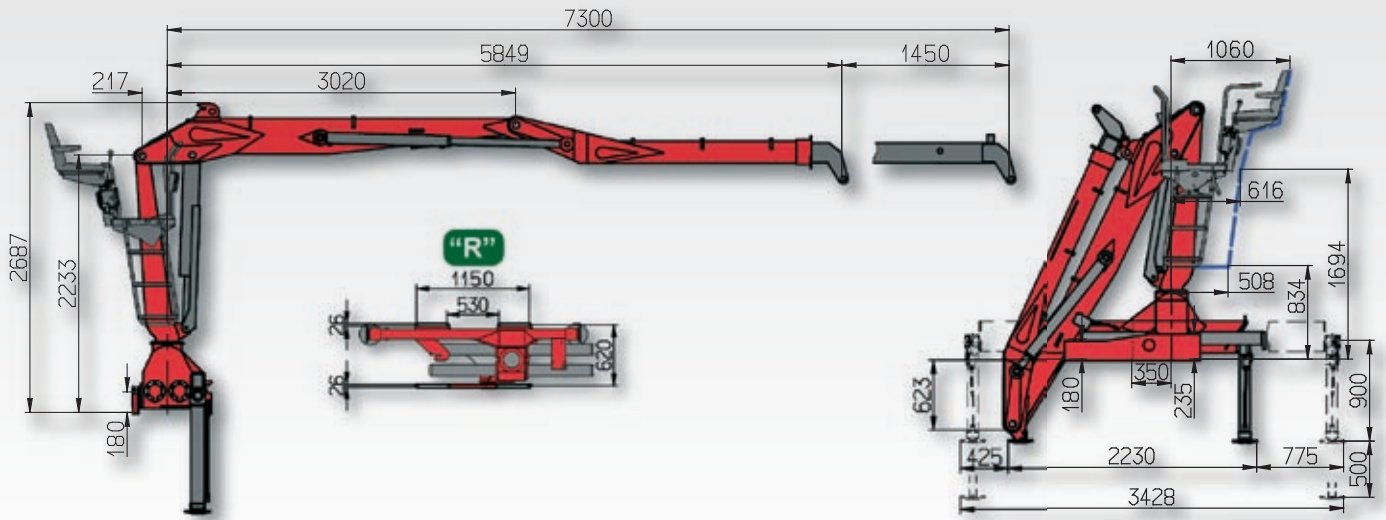
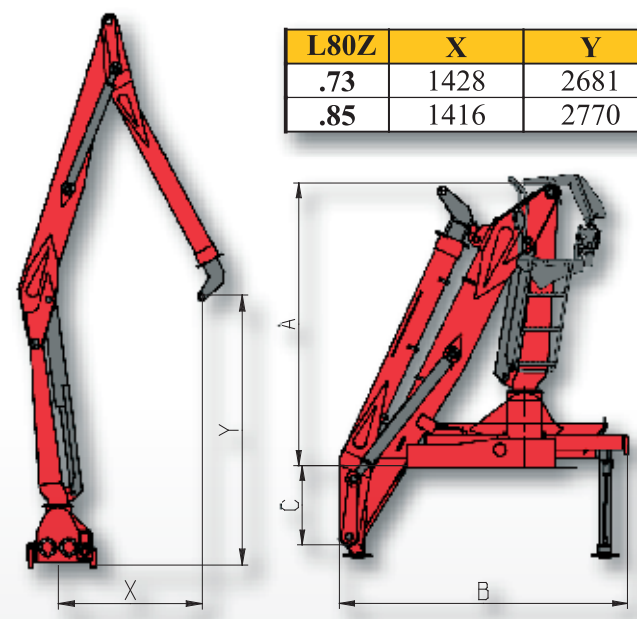


**L80Z**


8467		5767		2700			
3020							
2080	1740	1550	1350	1110	880	[kg]	
3	4	5	6	7	8	[m]	

7300		5850		1450			
3021							
2200	1860	1660	1450	1040		[kg]	
3	4	5	6	7		[m]	

L80Z	X	Y
.73	1428	2681
.85	1416	2770



L80Z	A	B	C
.73	2303	2350	623
.85	2303	2350	623



www.transgruas.com  
info@transgruas.com

Barcelona  
938498388

Madrid  
918951758

Vitoria  
945365601