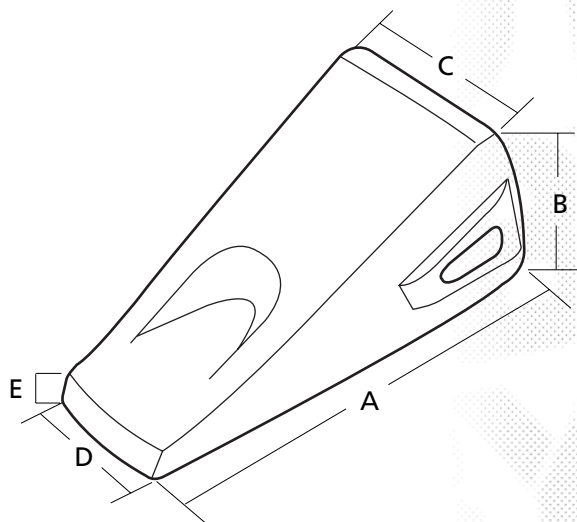
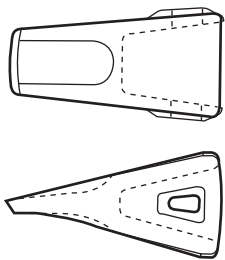



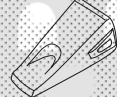

Adaptable
O&K

**Referencia en negrita
producto disponible**
Otras referencias
consúltenos

Diente

Diente O&K



| mm. | | | | | | | |
|---------------|---------------|---------------|--------------|-------------|---|---|---|
| A | B | C | D | E |  |  |  |
| 290 11,42" | 140 5,51" | 170 6,69" | 100 3,94" | 25 0,98" | 17,64 38,89 | 1752193 | RH30 |
| 356 14,02" | 183 7,20" | 205 8,07" | 117 4,61" | 27 1,06" | 28,90 63,71 | 1752182 | RH40 |
| 441 17,36" | 214 8,43" | 241 9,49" | 138 5,43" | 27 1,06" | 43,50 95,90 | 937759 | RH75C |
| 490 19,29" | 250 9,84" | 245 9,65" | 160 6,30" | 35 1,38" | 67,45 148,70 | 1752860 | RH90 |
| 476 18,74" | 270 10,63" | 279 10,98" | 191 7,52" | 30 1,18" | 82,55 181,99 | 1533708 | RH120C |