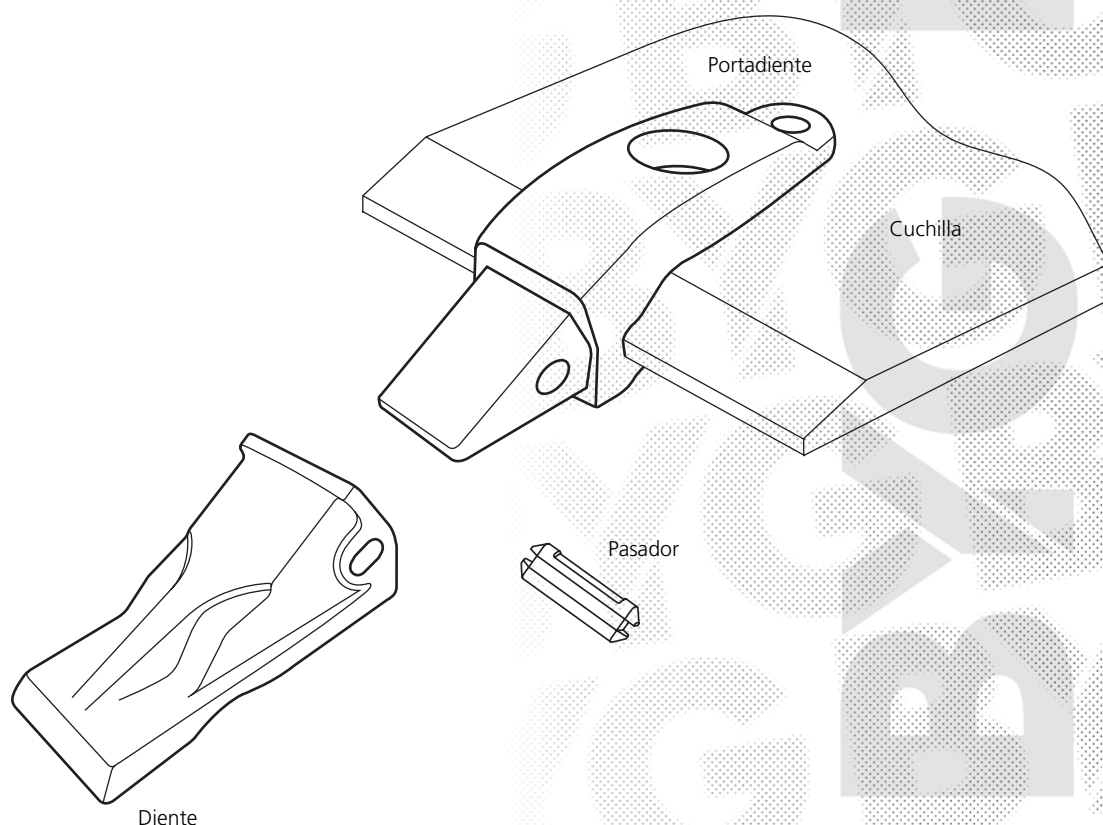


Adaptable  
**Fiat**

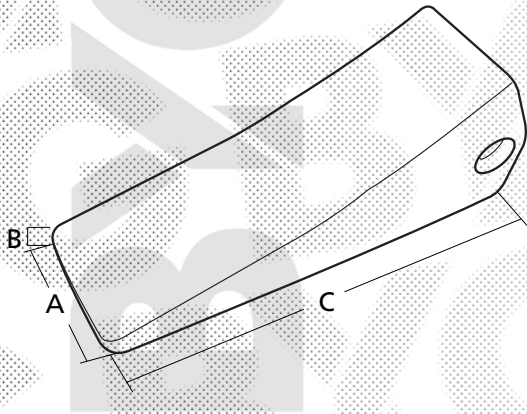
**Referencia en negrita**  
**producto disponible**  
Otras referencias  
consúltenos

# Dientes Pasador Lateral



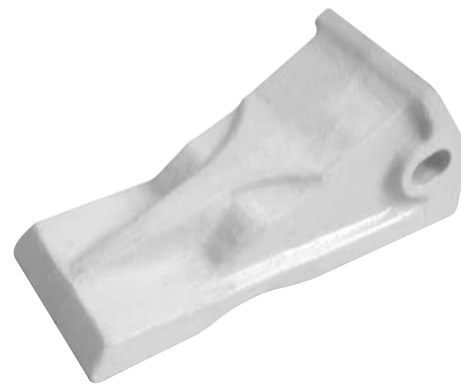
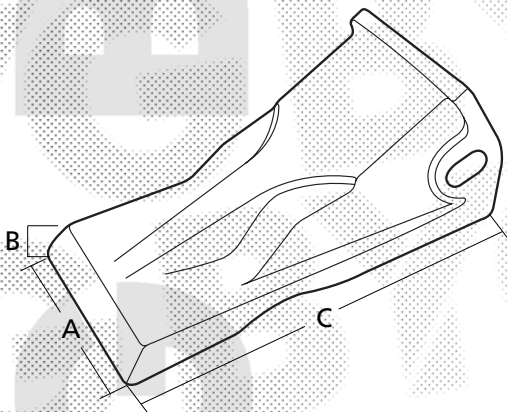
Atornillable	Light	Heavy	Portadiente		
<b>76020277</b>	<b>240-S</b> 76026616 73070461 73062624	<b>76026615</b> 73020853 76028587	79084422	545B, 745B, FR14, FR15, FR160, 260, 261, 263, FL9, FL10, FL145	<b>24</b>
<b>79089168</b> <b>8290419</b>			79069596		
<b>8288589</b> 76015653	<b>252-S</b> 76026620 73115404 70684378	<b>76026619</b> 79073814 76028588	79069599	745C, FR20, FR220, FL145B, C, FL12, FL14, FL175, 260, 261, 263	<b>25</b>
76015672	<b>272-S</b> 76079206 76026622	<b>76026621</b> 79070453 76028589	79069603	745C, FR20, FR220, FL14B, C, FL12, FL14, FL175, 260, 261, 263	<b>27</b>

## Diente Light



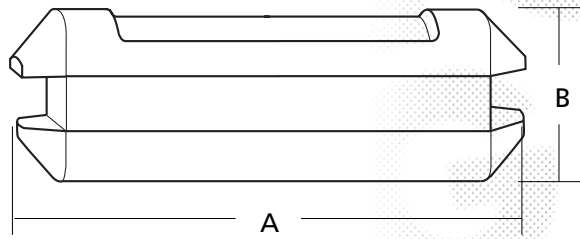
mm.			KG				
A	B	C					
56 2,20"	6 0,24"	183 7,20"	1,75 3,86	<b>240-S</b> 76026616 73070461 73062624	76028389	545B, 745B, FR14, FR15, FR160, 260, 261, 263, FL9, FL10, FL145	<b>24</b>
69 2,72"	3 0,12"	190 7,48"	2,17 4,78	<b>252-S</b> 76026620 73115404 70684378	79073815	745C, FR20, FR220, FL145B, C, FL12, FL14, FL175, 260, 261, 263	<b>25</b>
56 2,20"	6 0,24"	183 7,20"	3,13 6,90	<b>272-S</b> 76079206 76026622	76028388	745C, FR20, FR220, FL14B, C, FL12, FL14, FL175, 260, 261, 263	<b>27</b>



## Diente Heavy



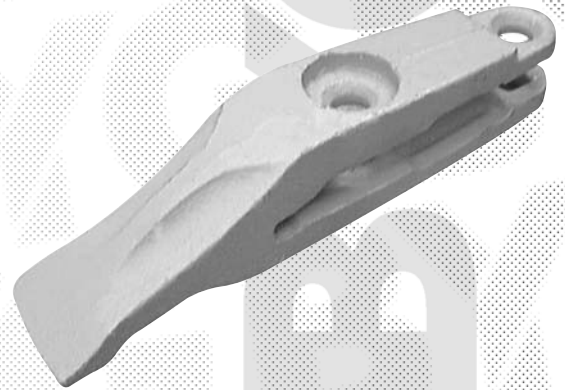
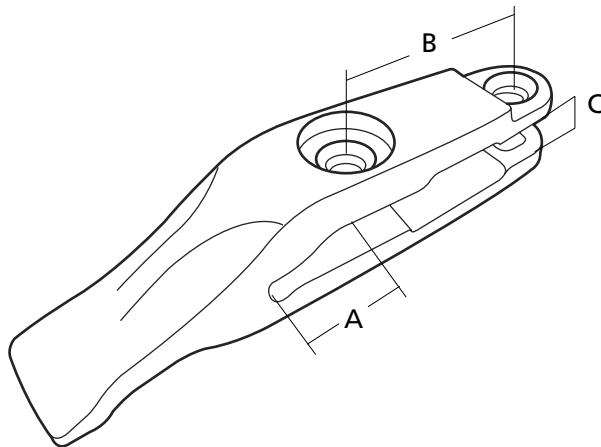
A	B	C	KG				
79 3,11"	6 0,24"	165 6,50"					
90 3,54"	8 0,31"	180 7,09"	3,60 7,94	<b>76026619</b> 79073814 76028588	79073815	745C, FR20, FR220, FL145B, C, FL12, FL14, FL175, 260, 261, 263	<b>25</b>
110 4,33"	10 0,39"	194 7,64"	4,90 10,80	<b>76026621</b> 79070453 76028589	76028388	745C, FR20, FR220, FL14B, C, FL12, FL14, FL175, 260, 261, 263	<b>27</b>


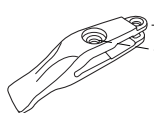
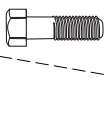
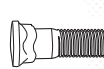

## Pasador



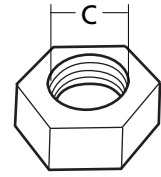
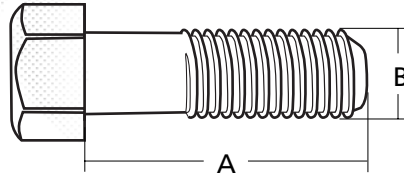
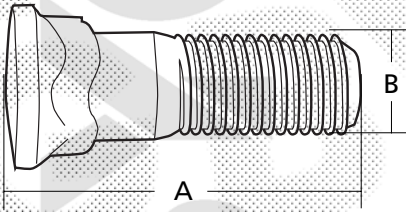
mm.				
A	B			
69 2,72"	22 0,87"	<b>76028389</b>	545B, 645B, FR70, FR90, W90, W110 FR100, FR130, FL7, 161	<b>24</b>
79 3,11"	22 0,87"	<b>79073815</b>	545B, 745B, FR14, FR15, FR160, 260, 261 263, FL9, FL10, FL145	<b>25</b>
97 3,82"	23 0,91"	<b>76028388</b>	745C, FR20, FR220, FL148, C, FL12, FL14, 260, 161, 263	<b>27</b>



## Diente Atornillable



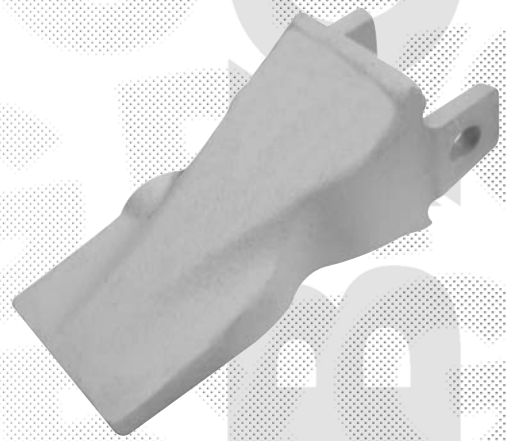
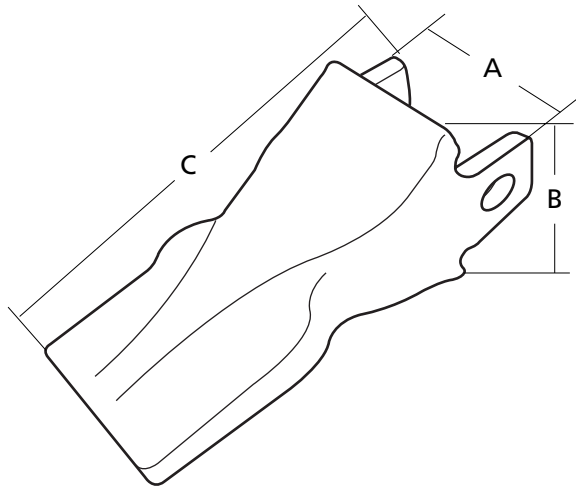
A	B	C					
60 2,36"	65 2,56"	20 0,79"	3,00 6,61	<b>8282253</b>	S-0947	-	NP-117 FL4
65 2,56"	65 2,56"	16,5 0,65"	-	76020276	S-1366	-	NP-117 FL4
63 2,48"	110 4,33"	21 0,83"	3,78 8,33	<b>76020277</b>	-	PB-510	NP-158 FL7, FR7, FR9-C,
80 3,15"	132 5,20"	27 1,06"	-	08281314	S-1625	-	NP-158 FL6, FL9
73 2,87"	120 4,72"	26 1,02"	7,25 15,98	<b>79089168</b>	-	PB-328	NP-190 FR10, FR12, FR130
85 3,35"	120 4,72"	26 1,02"	7,80 17,20	<b>8290419</b>	S-4609	-	NP-190 FL10-B
90 3,54"	150 5,91"	32 1,26"	9,00 19,84	<b>8280894</b>	S-8537	-	NP-158 FL8, FL10, FL12, FL14
90 3,54"	145 5,71"	33 1,30"	9,60 21,16	<b>8288589</b>	S-4627	-	NP-222 FL14-B, FL14-C
83 3,27"	145 5,71"	32 1,26"	-	76015653	-	PB-740	NP-222 FR15, FR160
98 3,86"	150 5,91"	41 1,61"	-	76015672	-	PB-946	NP-100 FR20, FR220

## Tornillos y Tuerca



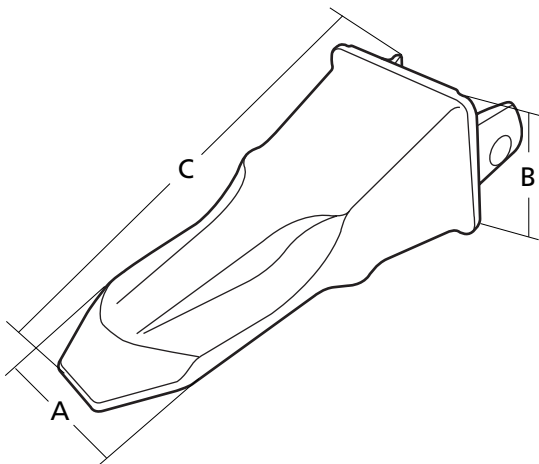
A	B	Hilos	Original	Ref. BYG	Original	Ref. BYG	C	Original	Ref. BYG		
3"	3/4"	10		<b>4F-0138</b>	<b>PB-328</b>	-	-	3/4"		<b>2J-3506</b>	<b>NP-190</b>
2-1/4"	5/8"	11	-	<b>3F-5108</b>	<b>PB-510</b>	-	-	5/8"	<b>4K-0367</b>	<b>NP-158</b>	
3-1/2"	7/8"	9	-	<b>2J-2548</b>	<b>PB-740</b>	-	-	7/8"	<b>2J-3505</b>	<b>NP-222</b>	
4"	1"	8	-	<b>8J-2928</b>	<b>PB-946</b>	-	-	1"	<b>2J-3507</b>	<b>NP-100</b>	
2-1/4"	1/2"	-	-	-	<b>2B-0947</b>	<b>S-0947</b>	1/2"	<b>2J-3506</b>	<b>NP-117</b>		
2-1/2"	1/2"	-	-	-	<b>9S-1366</b>	<b>S-1366</b>					
2-1/2"	5/8"	-	-	-	<b>0S-1625</b>	<b>S-1625</b>	5/8"	<b>4K-0367</b>	<b>NP-158</b>		
3"	3/4"	-	-	-	<b>1D-4609</b>	<b>S-4609</b>	3/4"	<b>2J-3506</b>	<b>NP-190</b>		
2-3/4"	5/8"	-	-	-	<b>1A-8537</b>	<b>S-8537</b>	5/8"	<b>4K-0367</b>	<b>NP-158</b>		

### Diente Sistema Antiguo



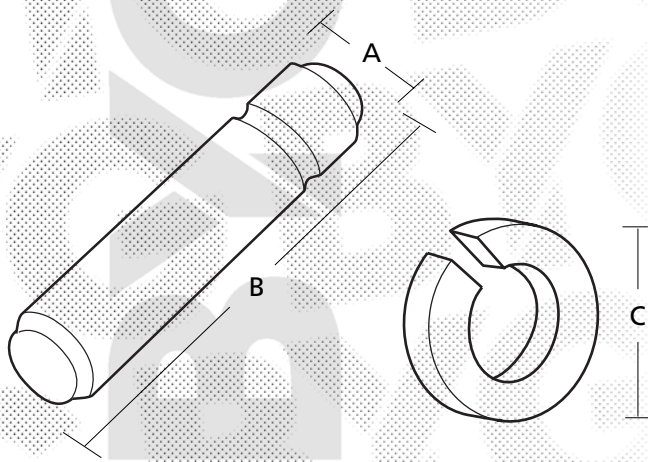
mm.										
A	B	C								
-	-	-	-	-	71407828	2MF-22P	2MF-21/22R	71407829	FH-120, EX-135, FH-200, EX-215	<b>22</b>
-	-	-	-	-	71417992	2MF-24P	2MF-24R	71417993	FH-200, EX-215	<b>24</b>
111 4,37"	116 4,57"	316 12,44"	40 1,57"	7,10 15,65	<b>71421565</b>	2MF-26P	2MF-26/28R	71421566	FH-220, EX-240, FH-270, FH-300, FH-330	<b>26</b>
-	-	-	-	-	71432195	2MF-28P	2MF-26/28R	71432196	FH-400, EX-450	<b>28</b>



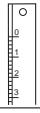
### Diente Sistema Moderno




mm.										
A	B	C								
81 3,19"	77 3,03"	221 8,70"	30 1,18"	2,80 6,17	<b>71407828 RE</b>	2MF-22P	2MF-21/22R	71407829	FH-120, EX-135, FH-200, EX-215	<b>22</b>
100 3,94"	95 3,74"	272 10,71"	35 1,38"	5,30 11,68	<b>71417992 RE</b>	2MF-24P	2MF-24R	71417993	FH-200, EX-215	<b>24</b>
116 4,57"	111 4,37"	316 12,44"	40 1,57"	8,60 18,96	<b>71421565 RE</b>	2MF-26P	2MF-26/28R	71421566	FH-220, EX-240, FH-270, FH-300, FH-330	<b>26</b>
-	-	-	45 1,77"	-	71432195 RE	2MF-28P	2MF-26/28R	71432196	FH-400, EX-450	<b>28</b>

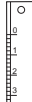
## Pasador y Arandela

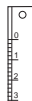



A	B	C			
10 0,39"	85 3,35"	18 0,71"	<b>2MF-22P</b>	<b>2MF-21/22R</b>	<b>22</b>
14 0,55"	102 4,02"	27 1,06"	<b>2MF-24P</b>	<b>2MF-24R</b>	<b>24</b>
19 0,75"	122 4,80"	32 1,26"	<b>2MF-26P</b>	<b>2MF-26/28R</b>	<b>26</b>
19 0,75"	135 5,31"	32 1,26"	<b>2MF-28P</b>	<b>2MF-26/28R</b>	<b>28</b>

## Equivalencias entre Marcas: Dientes, Pasadores y Arandelas

Dientes Ref. BYG	Fiat Antiguos	Fiat Modernos	Esco	Feurst®	
71407828	71407828	71407828	022SL	22LTR	<b>22</b>
71417992	71417992	71419992	024SL	22LTR	<b>24</b>
<b>71421565</b>	71421565	71421565	026SL	22LTR	<b>26</b>
71432195	71432195	17432195	028SL	22LTR	<b>28</b>

Dientes Ref. BYG	Fixmet®	Esco	Feurst®	Fiat Antiguo	Fiat Moderno	
<b>71407828 RE</b>	MF-22 *	022*	22*	71467241	71407828	<b>22</b>
<b>71417992 RE</b>	MF-24 *	024*	24*	71465120	71419992	<b>24</b>
<b>71421565 RE</b>	MF-26 *	026*	26*	71464186	71421565	<b>26</b>
71432195 RE	MF-28 *	028*	28*	71468101	71432195	<b>28</b>

Pasadores Ref. BYG	Pasadores Ref. Fiat Antiguo	Pasadores Ref. Fiat Antiguo	Esco	Feurst®	Fixmet®	
<b>2MF-22P</b>	71467242	71407832	022PN	22CL	2MF-22P	<b>22</b>
<b>2MF-24P</b>	71465124	71417996	024PN	24CL	2MF-22P	<b>24</b>
<b>2MF-26P</b>	71464190	71421569	026PN	26CL	2MF-22P	<b>26</b>
<b>2MF-28P</b>	71468105	71432199	028PN	28CL	2MF-22P	<b>28</b>

Arandelas Ref. BYG	Fiat Antiguas	Fiat Modernas	Esco	Feurst®	Fixmet®	
<b>2MF-21 / 22R</b>	71467243	71407833	022LK	22RD	2MF-21 / 22R	<b>22</b>
<b>2MF-24R</b>	71465125	71417997	024LK	24RD	2MF-24R	<b>24</b>
<b>2MF-26 / 28R</b>	71464191	71421570	026-28LK	26RD	2MF-26 / 28R	<b>26</b>
<b>2MF-26 / 28R</b>	71464191	71432200	026-28LK	28RD	2MF-26 / 28R	<b>28</b>

\* Los códigos identifican la talla, y las letras en el código, el diseño

® Todos los símbolos, nombres y descripciones utilizados en este catálogo, se utilizan solo como referencia y no implican que los productos sean de dichos fabricantes.