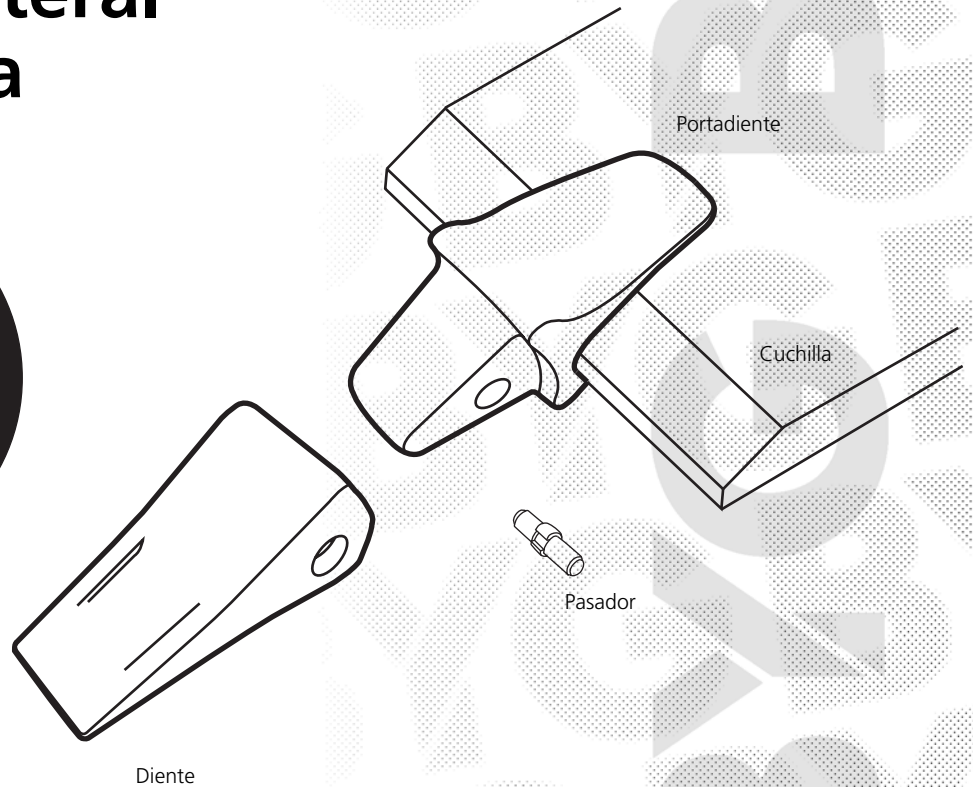


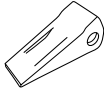

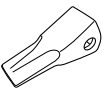





Adaptable Komatsu

Referencia en negrita
producto disponible
Otras referencias
consúltenos

 **Alternativa Futura**

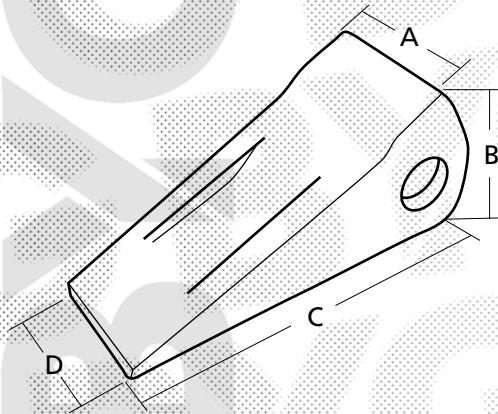
Dientes y Portadientes Pasador Lateral Excavadora



Standard	Abrasión RE	SYL	VIP	En Punta	Esquinero	Doble Pala	
							
205-70-19570	205-70-19570 RE	205-70-19570 SYL	<i>205-70-19570 VIP</i>	<i>20Y-70-K4060</i>	<i>20Y-70-K4150</i>	205-70-68141 205-939-7120	PC100, PC100L-5, PC120-5, PC130, PC200LC-5, PW210-1
207-70-14151	207-70-14151 RE	207-70-14151 SYL	<i>207-70-14151 VIP</i>	<i>20Y-70-K4070</i>	<i>20Y-70-K4160</i>	207-70-14142 207-939-3120	PC220, PC220LC-5, PC240LC-NLC, PC280LC-3, PC290 LC/NLC, PC300, PC300LC-5, PC340 LC/NLC, PC360LC-3, PC-380 LC
208-70-14152	<i>208-70-14152 RE</i>	208-70-14152 SYL	<i>207-70-14152 VIP</i>	<i>208-70-K1340</i>	<i>208-70-K1490</i>	208-70-14143	PC400, PC400LC-5, PC450, PC450LC
<i>209-70-54720</i>	209-70-54720 RE	<i>209-70-54720 SYL</i>	<i>209-70-54720 VIP</i>	<i>209-70-54730</i>	-	* 209-70-74140	PC650, PC650LC-3, PC650SE, PC750, PC750SE
<i>21N-72-14290</i>	21N-72-14290 RE	<i>21N-72-14290 SYL</i>	21N-72-14290 VIP	-	-	21N-70-14140	PC-1000LC-1, PC1000SE-1, PC-1100SP, PC-1200
<i>21T-72-74310</i>	<i>21T-72-74310 RE</i>	<i>21T-72-74310 SYL</i>	-	-	-	<i>21T-70-74160</i>	PC-1600, PC-1600-1
Pag. 7.10	Pag. 7.10	Pag. 7.11	Pag. 7.11	Pag. 7.12	Pag. 7.12	Pag. 7.13	

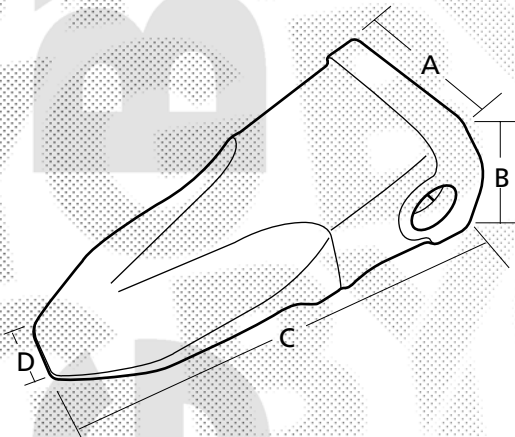
* Portadiente invertido, pala larga en la parte superior. Dibujo pag. 7.13

Diente Estándar Excavadora



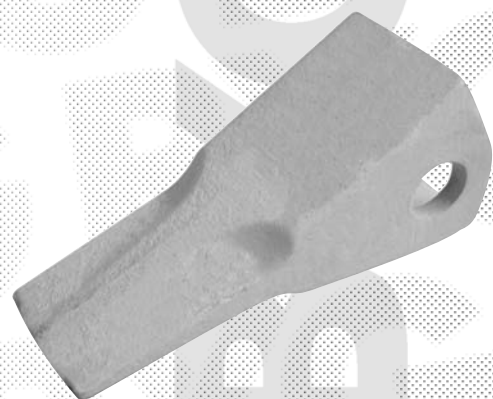
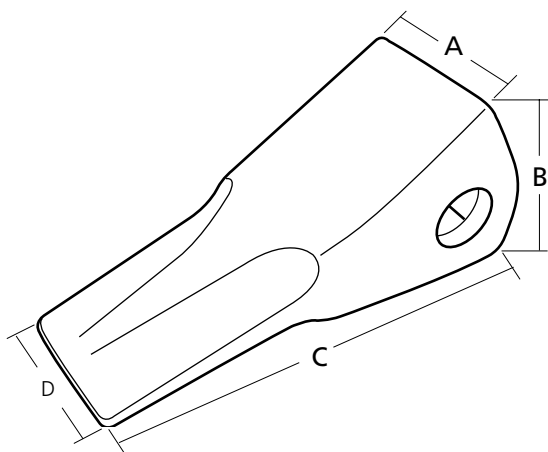
mm.				KG				
A	B	C	D					
95 3,74"	100 3,94"	222 8,74"	75 2,95"	4,40 9,70	205-70-19570	09244-02496	205-70-68141 205-939-7120	PC100, PC100L-5, PC120-5, PC130, PC200LC-5, PW210-1
120 4,72"	114 4,49"	244 9,61"	92 3,62"	6,90 15,21	207-70-14151	09244-02516	207-70-14142 207-939-3120	PC220, PC220LC-5, PC240LC-NLC, PC280LC-3, PC290 LC/NLC, PC300, PC300LC-5, PC340 LC/NLC, PC360LC-3, PC-380 LC
152 5,98"	121 4,76"	271 10,67"	110 4,33"	9,70 21,38	208-70-14152	09244-03036	208-70-14143	PC400, PC400LC-5, PC450, PC450LC
181 7,13"	189 7,44"	349 13,74"	-	-	209-70-54720	209-70-54240	209-70-74140	PC650, PC650LC-3, PC650SE, PC750, PC750SE
181 7,13"	244 9,61"	422 16,61"	-	-	21N-72-14290	21N-72-14330	21N-70-74140	PC-1000LC-1, PC1000SE-1, PC-1100SP, PC-1200
-	-	-	-	-	21T-72-74310	21T-72-74320	21T-70-74160	PC-1600, PC-1600-1

Diente Abrasión Excavadora RE



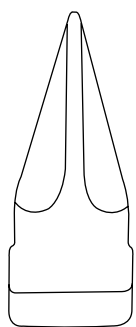
mm.				KG				
A	B	C	D					
97 3,82"	102 4,02"	278 10,94"	38 1,50"	6,00 13,23	205-70-19570 RE	09244-02496	205-70-68141 205-939-7120	PC100, PC100L-5, PC120-5, PC130, PC200LC-5, PW210-1
122 4,80"	112 4,41"	291 11,46"	50 1,97"	8,50 18,74	207-70-14151 RE	09244-02516	207-70-14142 207-939-3120	PC220, PC220LC-5, PC240LC-NLC, PC280LC-3, PC290 LC/NLC, PC300, PC300LC-5, PC340 LC/NLC, PC360LC-3, PC-380 LC
-	-	-	-	-	208-70-14152 RE	09244-03036	208-70-14143	PC400, PC400LC-5, PC450, PC450LC
181 7,13"	198 7,80"	437 17,20"	65 2,56"	29,80 65,70	209-70-54720 RE	209-70-54240	209-70-74140	PC650, PC650LC-3, PC650SE, PC750, PC750SE
184 7,24"	253 9,96"	498 19,61"	70 2,76"	46,80 103,17	21N-72-14290 RE	21N-72-14330	21N-70-74140	PC-1000LC-1, PC1000SE-1, PC-1100SP, PC-1200
-	-	-	-	-	21T-72-74310 RE	21T-72-74320	21T-70-74160	PC-1600, PC-1600-1

Diente SYL Excavadora

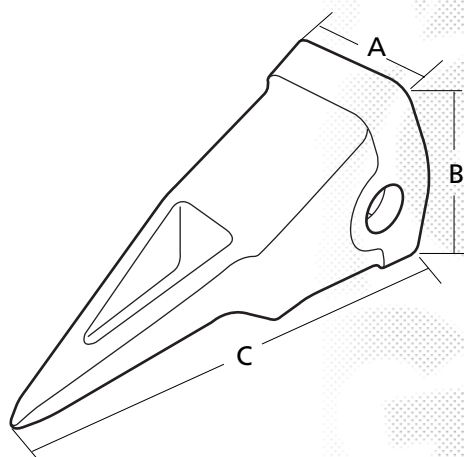


mm.				KG lb	Image	Image	Image	Image	Image
A	B	C	D						
95 3,74"	100 3,94"	225 8,86"	75 2,95"	3,80 8,38	205-70-19570 SYL	09244-02496	205-70-68141 205-939-7120	PC100, PC100L-5, PC120-5, PC130, PC200LC-5, PW210-1	
120 4,72"	114 4,47"	246 9,69"	92 3,62"	6,00 13,23	207-70-14151 SYL	09244-02516	207-70-14142 207-939-3120	PC220, PC220LC-5, PC240LC-NLC, PC280LC-3, PC290 LC/NLC, PC300, PC300LC-5, PC340 LC/NLC, PC360LC-3, PC-380 LC	
152 5,98"	121 4,76"	271 10,67"	110 4,33"	9,70 21,38	208-70-14152 SYL	09244-03036	208-70-14143	PC400, PC400LC-5, PC450, PC450LC	
170 6,69"	180 7,09"	380 14,96"	140 5,51"	23,50 51,81	209-70-54720 SYL	209-70-54240	209-70-74140	PC650, PC650LC-3, PC650SE, PC750, PC750SE	
-	-	-	-	-	21N-72-14290 SYL	21N-72-14330	21N-70-74140	PC-1000LC-1, PC1000SE-1, PC-1100SP, PC-1200	
-	-	-	-	-	21T-72-74310 SYL	21T-72-74320	21T-70-74160	PC-1600, PC-1600-1	

Diente VIP Excavadora

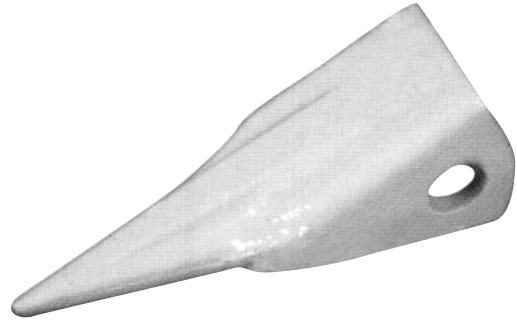
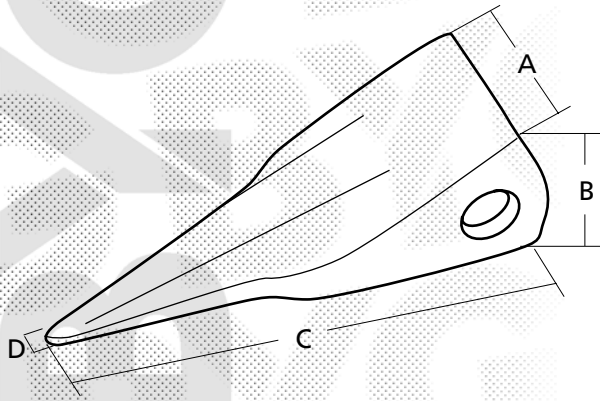


Vista Posterior



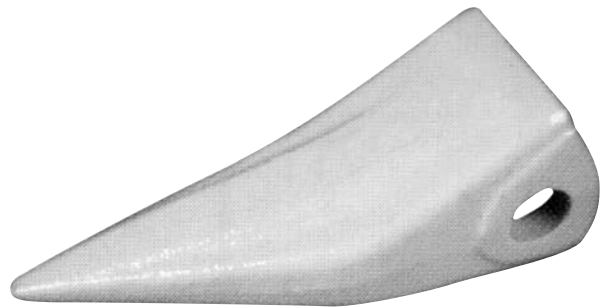
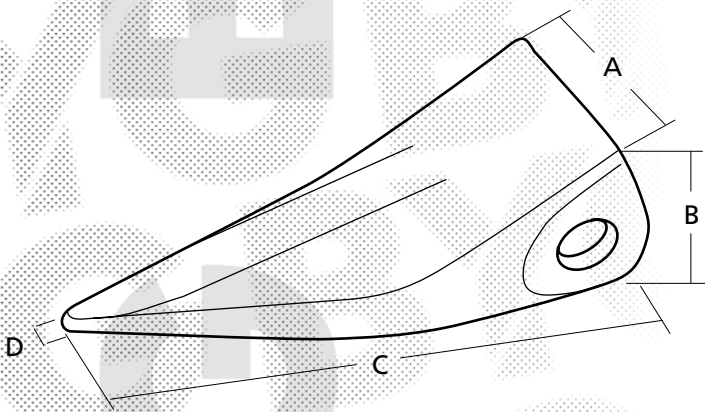
mm.			KG lb	Image	Image	Image	Image
A	B	C					
-	-	-	-	205-70-19570 VIP	09244-02496	205-70-68141 205-939-7120	PC100, PC100L-5, PC120-5, PC130, PC200LC-5, PW210-1
-	-	-	-	207-70-14151 VIP	09244-02516	207-70-14142 207-939-3120	PC220, PC220LC-5, PC240LC-NLC, PC280LC-3, PC290 LC/NLC, PC300, PC300LC-5, PC340 LC/NLC, PC360LC-3, PC-380 LC
-	-	-	-	207-70-14152 VIP	09244-03036	208-70-14143	PC400, PC400LC-5, PC450, PC450LC
-	-	-	-	209-70-54720 VIP	209-70-54240	209-70-74140	PC650, PC650LC-3, PC650SE, PC750, PC750SE
185 7,28"	260 10,24"	516 20,31"	35,50 78,26	21N-72-14290 VIP	21N-72-14330	21N-70-74140	PC-1000LC-1, PC1000SE-1, PC-1100SP, PC-1200
-	-	-	-	-	21T-72-74320	21T-70-74160	PC-1600, PC-1600-1

Diente en Punta Excavadora



mm.				KG					
A	B	C	D						
98 3,86"	105 4,13"	263 10,35"	14 0,55"	-	20Y-70-K4060	20Y-70-K4150	09244-02496	205-70-68141 205-939-7120	PC100, PC100L-5, PC120-5, PC130, PC200LC-5, PW210-1
120 4,72"	114 4,49"	285 11,22"	16 0,63"	-	20Y-70-K4070	20Y-70-K4160	09244-02516	207-70-14142 207-939-3120	PC220, PC220LC-5, PC240LC-NLC, PC280LC-3, PC290 LC/NLC, PC300, PC300LC-5, PC340 LC/NLC PC360LC-3, PC-380 LC
151 5,94"	121 4,76"	320 12,60"	22 0,87"	-	208-70-K1340	208-70-K1490	09244-03036	208-70-14143	PC400, PC400LC-5, PC450, PC450LC
-	-	-	-	-	209-70-54730	-	209-70-54240	209-70-74140	PC650, PC650LC-3, PC650SE, PC750, PC750SE

Diente Esquinero en Punta Excavadora



mm.				KG					
A	B	C	D						
104 4,09"	105 4,13"	266 10,47"	14 0,55"	-	20Y-70-K4150	20Y-70-K4060	09244-02496	205-70-68141 205-939-7120	PC100L-5, PC120-5, PC130, PC200LC-5, PW210-1
126 4,96"	114 4,49"	289 11,38"	16 0,63"	-	20Y-70-K4160	20Y-70-K4070	09244-02516	207-70-14142 207-939-3120	PC300, LC-5, PC360, LC-3
160 6,30"	121 4,76"	325 12,80"	22 0,87"	-	208-70-K1490	208-70-K1340	09244-03036	208-70-14143	PC400, LC-5

Portadiente Excavadora

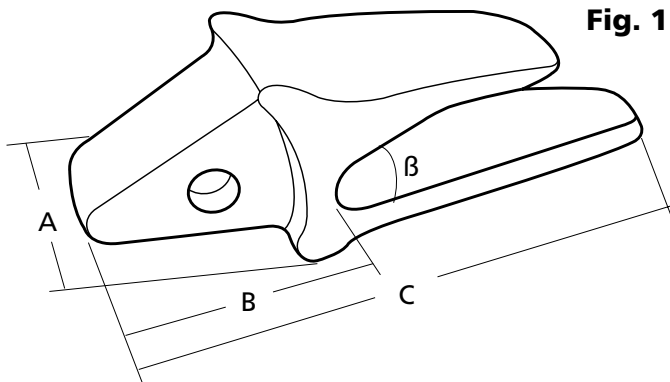


Fig. 1



Fig. 3

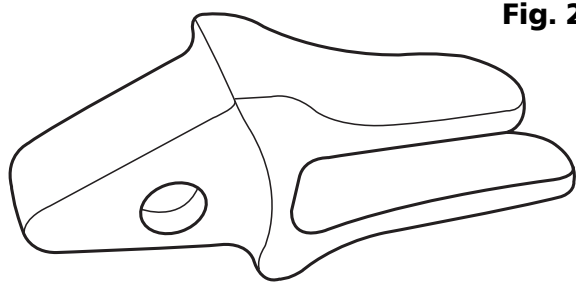
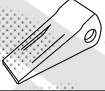




Fig. 2

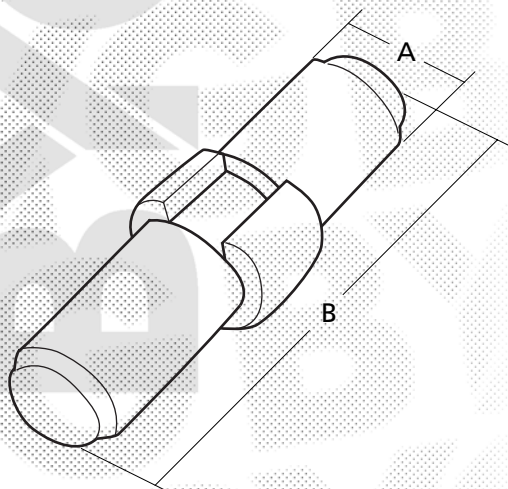
mm.			β	↕	KG	Fig.	Fig.	Tipo	Imagen			
A	B	C										
89,5 3,52"	122 4,80"	300 11,81"	23°	30 1,18"	7,20 15,87	205-70-68141	1	09244-02496	205-70-19570 205-70-19570 RE 205-70-19570 SYL 205-70-19570 VIP 20Y-70-K4060 20Y-70-K4150	STD RE SYL VIP Punta Esquinero	PC100, PC100L-5, PC120-5, PC130, PC200LC-5, PW210-1	
					7,30 16,09	205-939-7120	2					
112,5 4,43"	136 5,35"	364 14,33"	24°	40 1,57"	14,60 32,19	207-70-14142	1	09244-02516	207-70-14151 207-70-14151 RE 207-70-14151 SYL 207-70-14151 VIP 20Y-70-K4070 20Y-70-K4160	STD RE SYL VIP Punta Esquinero	PC220, PC220LC-5, PC240LC-NLC, PC280LC-3, PC290 LC/NLC, PC300, PC300LC-5, PC340 LC/NLC, PC360LC-3, PC-380 LC	
					14,30 31,53	207-939-3120	2					
140 5,51"	160 6,30"	410 16,14"	30°	50 1,97"	21,57 47,55	208-70-14143	1	09244-03036	208-70-14152 208-70-14152 RE 208-70-14152 SYL 207-70-14152 VIP 208-70-K1340 208-70-K1490	STD RE SYL VIP Punta Esquinero	PC400, PC400LC-5, PC450, PC450LC	
170 6,69"	228 8,98"	565 22,24"	30°	80 3,15"	49,30 108,69	209-70-74140	3	209-70-54240	209-70-54720 209-70-54720 RE 209-70-54720 SYL 209-70-54720 VIP 209-70-54730	STD RE SYL VIP Punta	PC650, PC650LC-3, PC650SE, PC750, PC750SE	
176 6,93"	260 10,24"	700 27,56"	32°	80 3,15"	75,50 166,45	21N-70-14140	1	21N-72-14330	21N-72-14290 21N-72-14290 RE 21N-72-14290 SYL 21N-72-14290 VIP	STD RE SYL VIP	PC-1000LC-1, PC1000SE-1, PC-1100SP, PC-1200	
-	-	-	-	-	-	21T-70-74160	-	21T-72-74320	21T-72-74320 21T-72-74320 RE 21T-72-74320 SYL	STD RE SYL	PC-1600 PC-1600-1	

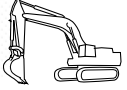
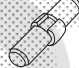
Ref. Equivalentes Komatsu y BYG / Dientes y Portadientes

Ref. Komatsu	Ref. BYG
	
209-70-54210	209-70-54720
205-70-68260	205-70-19570 RE
207-70-14280	207-70-14151 RE
208-70-14270	208-70-14152 RE
209-70-54710	209-70-54720 RE
21N-72-14410	21N-72-14290 RE
21N-72-14420	21N-72-14290 RE
20Y-70-K4030	205-70-19570 SYL
207-70-K2530	207-70-14151 SYL
208-70-K1420	208-70-14152 SYL
208-70-34440	208-70-14152 SYL
209-70-54720	209-70-54720 SYL
21N-72-14420	21N-72-14290 SYL

Cuchilla recta	Cuchilla con bisel
	
205-939-7120	205-70-68140
207-939-3120	207-70-14142
208-939-3120	208-70-14143
-	209-70-74140
-	21N-70-14140

Pasador



mm.		Ref. BYG	Ref. Alternativa	
A	B			
25 0,98"	97 3,82"	09244-02496	205-70-19610 205-70-69130	PC100, PC100L-5, PC120-5, PC130, PC200LC-5, PW210-1
25 0,98"	119 4,69"	09244-02516	175-78-21810	PC220, PC220LC-5, PC240LC-NLC, PC280LC-3, PC290 LC/NLC, PC300, PC300LC-5, PC340 LC/NLC PC360LC-3, PC-380 LC
25 0,98"	145 5,71"	09244-03036	198-79-11320 A09-78-11730 426-847-1130	PC400, PC400LC-5, PC450, PC450LC
36 1,42"	165 6,50"	209-70-54240		PC650, PC650LC-3, PC650SE, PC750, PC750SE
40 1,57"	165 6,50"	21N-72-14330	21N-70-00060	PC-1000LC-1 PC1000SE-1, PC-1100SP, PC-1200
50 1,97"	183 7,20"	21T-72-74320	-	PC-1600, PC-1600-1