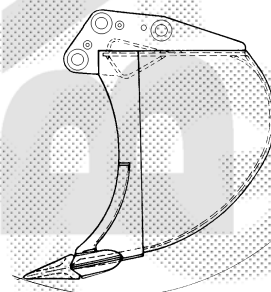
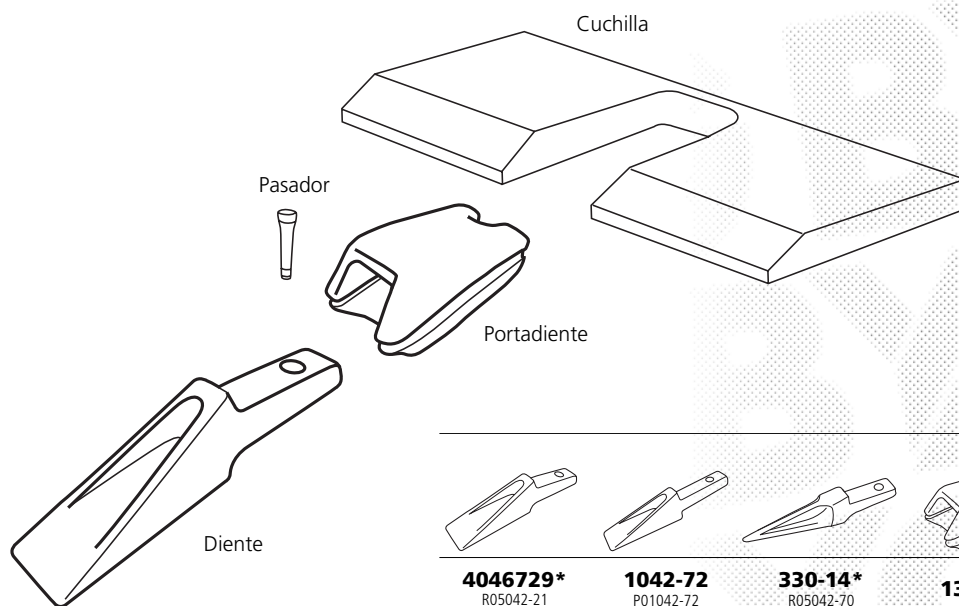


# Poclain <sup>Adaptable</sup>

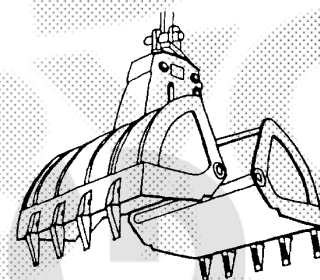
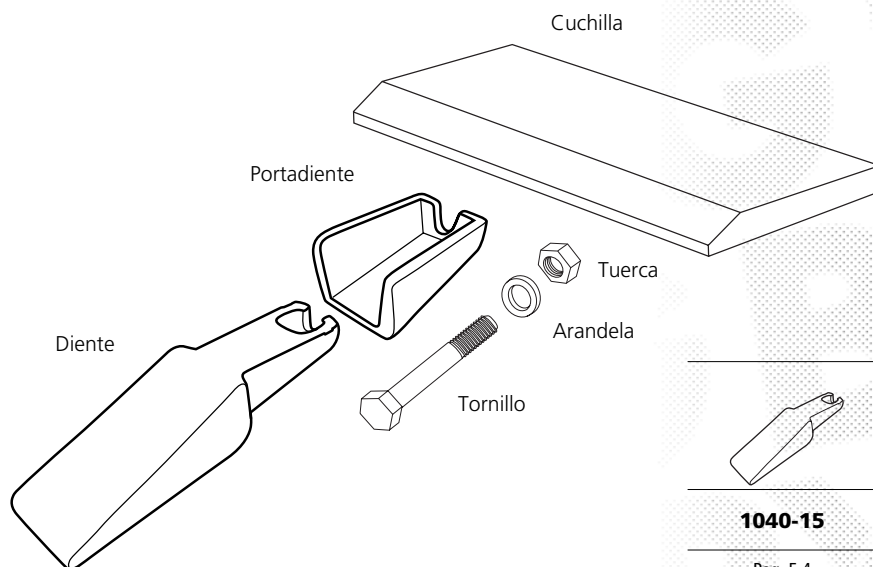
**Referencia en negrita**  
**producto disponible**  
 Otras referencias  
 consultenos

## Dientes Poclain para Excavadora



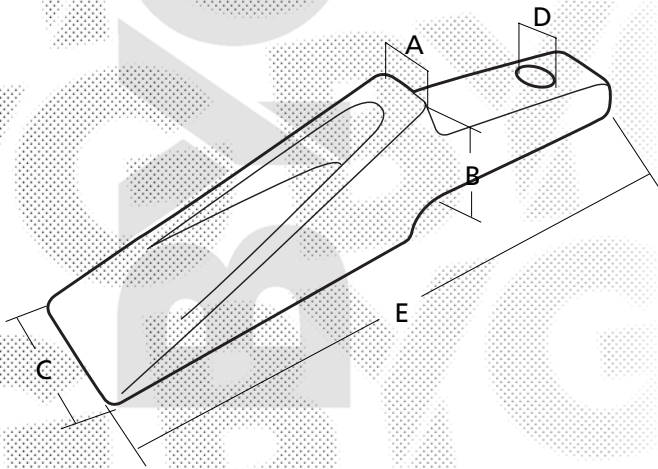
<b>4046729*</b> R05042-21	<b>1042-72</b> P01042-72	<b>330-14*</b> R05042-70	<b>130-02</b>	TCS, TYS, LY2P, 60, 75, 80, 90
<b>4038207</b> W0042-98	-	4046746E R03042-30	<b>3031112</b>	90, 100, 115, 120, 160, 200
<b>1042-74</b> R01042-74	-	1042-74P B345-20	<b>3031265</b>	160, 200, 220, 300, 400
Pag. 5.2	Pag. 5.2	Pag. 5.3	Pag. 5.3	

## Dientes Poclain para Bivalva



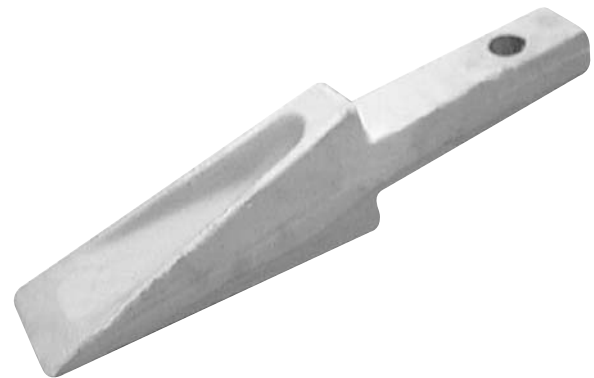
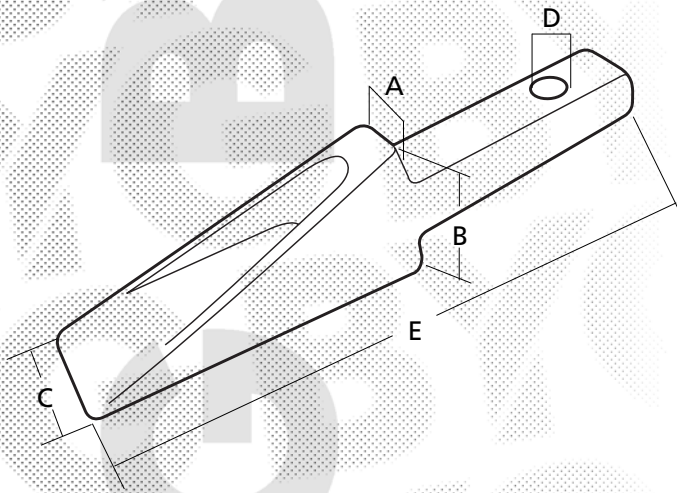
<b>1040-15</b>	<b>1040-78</b>	TCS-TYS-LY2P 60-75-80-90
Pag. 5.4	Pag. 5.4	

## Dientes para Excavadoras Poclain



mm.					KG	P01042-72	130-02	200-14-OL	TCS, TYS, LY2P, 60, 75, 80, 90
A	B	C	D	E					
50 1,97"	50 1,97"	75 2,95"	24 0,94"	337 13,27"	6,20 13,67	<b>1042-72</b> P01042-72			

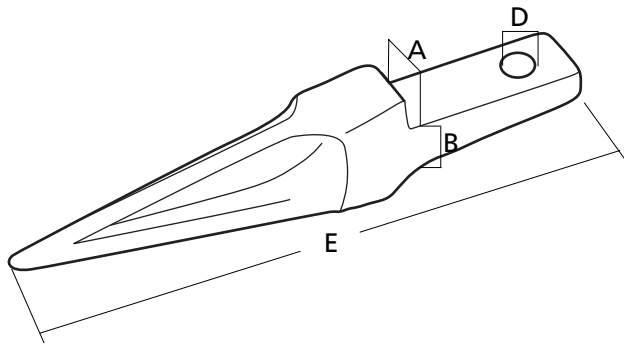
## Dientes para Excavadoras Poclain



mm.					KG	R05042-21	130-02	200-14-OL	TCS, TYS, LY2P, 60, 75, 80, 90
A	B	C	D	E					
50 1,97"	50 1,97"	80 3,15"	14 - 24 0,55" - 0,94"	345 13,58"	6,19 13,65	<b>4046729*</b> R05042-21			
57 2,24"	58 2,28"	92 3,62"	28 1,10"	485 19,09"	12,00 26,46	<b>4038207</b> W0042-98	3031112	200-18-OL	90, 100, 115, 120, 160, 200
75 2,95"	75 2,95"	105 4,13"	38 1,50"	580 22,83"	24,00 52,91	<b>1042-74</b> R01042-74	3031265	200-18-OL	160, 200, 220, 300, 400

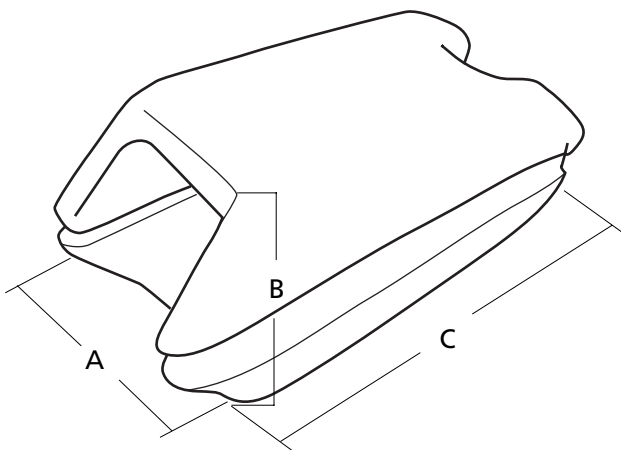
\* Esta pieza viene con dos taladros uno de 14 y otro de 24 mm.

## Dientes para Excavadoras Poclain



mm.				KG	Image	Image	Image	Image
A	B	D	E					
50 1,97"	50 1,97"	14 - 24 0,55" - 0,94"	404 15,91"	7,00 15,43	<b>330-14*</b> R05042-70	130-02	200-14-OL	TCS, TYS, LY2P, 60, 75, 80, 90
57 2,24"	58 2,28"	28 1,10"	460 18,11"	11,0 24,25	<b>4046746E</b> R03042-30	3031112	200-18-OL	90, 100, 115, 120, 160, 200
75 2,95"	75 2,95"	38 1,50"	630 24,80"	24,00 52,91	<b>1042-74P</b> B345-20	3031265	200-18-OL	160, 200, 220, 300, 400

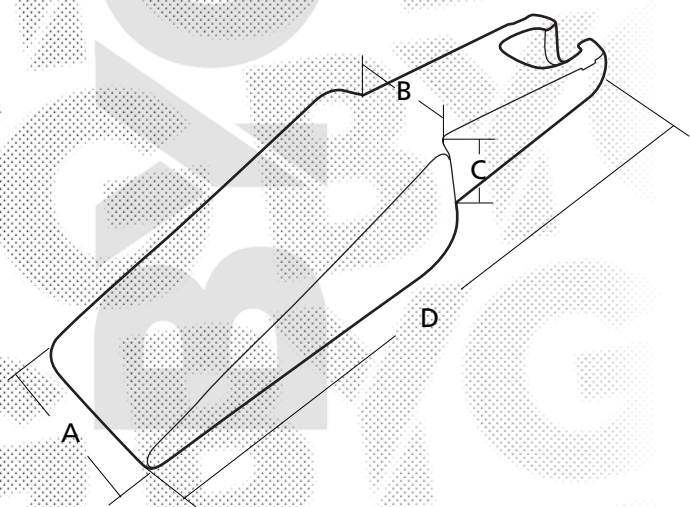
## Portadiente



mm.			KG	Image	Image	Image	Image
A	B	C					
82 3,23"	106 4,17"	220 8,66"	5,20 11,46	<b>130-02</b>	200-14-OL	1042-72 4046729 330-14	TCS, TYS, LY2P, 60, 75, 80, 90
116 4,57"	116 4,57"	240 9,45"	11,00 24,25	<b>3031112</b>	200-18-OL	4030207 4046746	90, 100, 115, 120, 160, 200
121 4,76"	145 5,71"	330 12,99"	19,10 42,11	<b>3031265</b>	200-18-OL	1042-74	160, 200, 220, 300, 400

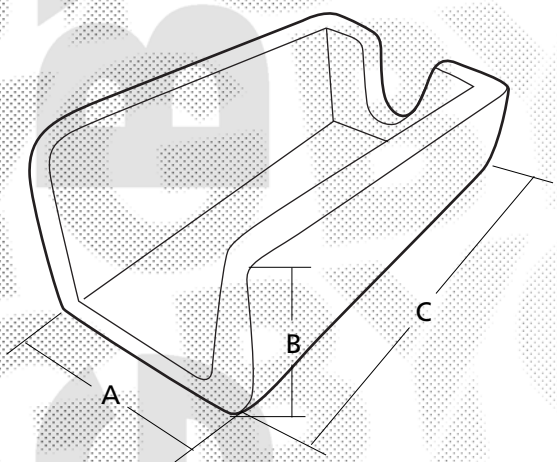
\* Esta pieza viene con dos taladros uno de 14 y otro de 24 mm.

## Diente Poclain para Bivalba



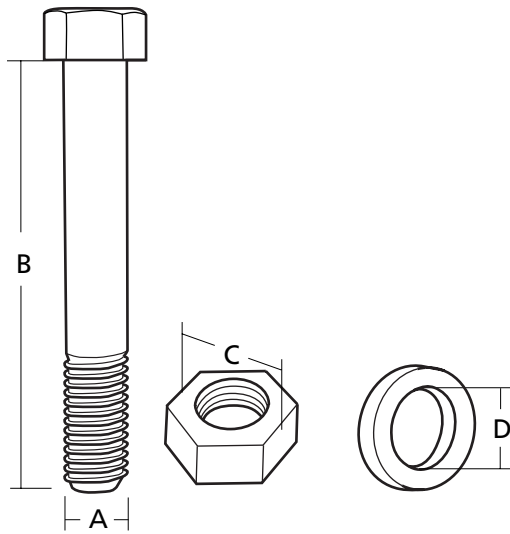
mm.										
A	B	C	D							
75	52	50	105	5,30	<b>1040-15</b>	1040-78	M-14060	TM-014	0-214	TCS-TYS-LY2P 60-75-80-90
2,95"	2,05"	1,97"	4,13"	11,68"						

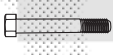


## Portadiente Bivalba

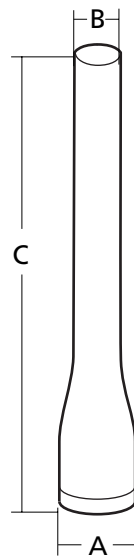


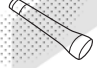
mm.								
A	B	C						
93	50	143	1,60	<b>1040-78</b>	1040-15	M-14060	TM-014	0-214
3,66"	1,97"	5,63"	3,53"					

**Sujección**



mm.						
A	B	C	D			
14 0,55"	60 2,36"	22 0,87"	16 0,63"	<b>M-14060</b>	<b>TM-014</b>	<b>O-214</b>

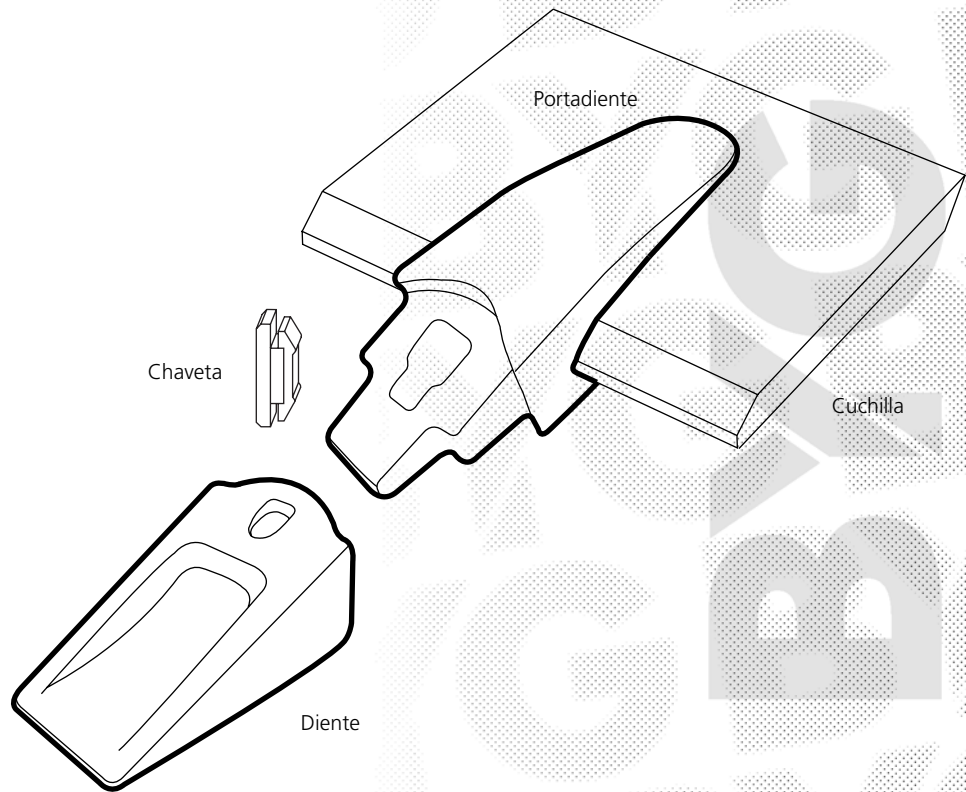







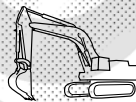
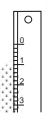
mm.			
A	B	C	
19 0,75"	13 0,51"	120 4,72"	<b>200-14-OL</b>
28 1,10"	18 0,71"	150 5,91"	<b>200-18-OL</b>

# Adaptable Case Poclairn

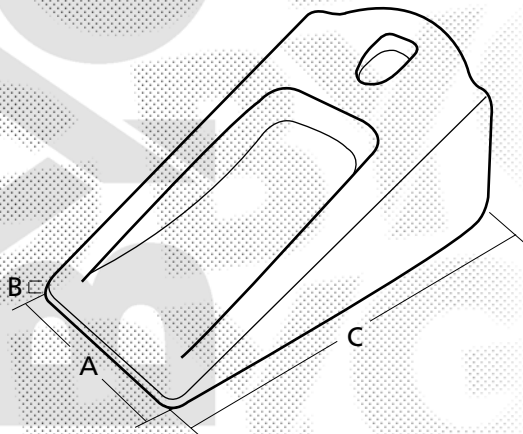
## Dientes y Portadiente

**Referencia en negrita**  
**producto disponible**  
Otras referencias  
consúltenos



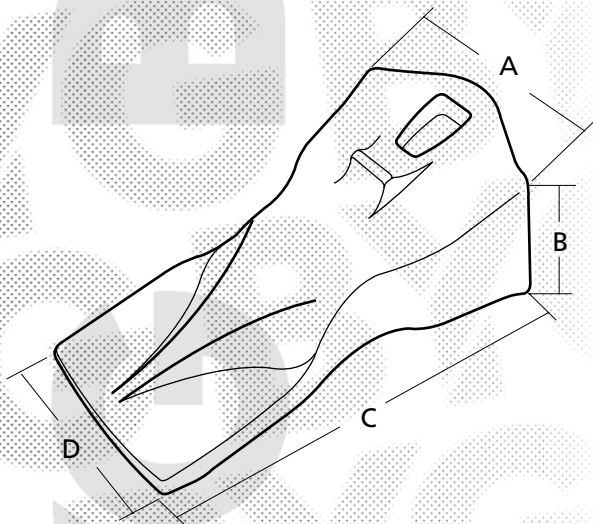
Standard	SYL	Roca	VIP	Portadiente		
						
<b>7042-25</b> 6042-81	<b>7042-25 SYL</b>	<b>7042-26</b> 6042-85	<b>7042-28</b> 6042-83	<b>6042-91</b>	Poclairn: 60,61,70,75,85 Case: 688,888	<b>44</b>
<b>7042-29</b> 6042-82	<b>7042-29 SYL</b>	<b>7042-30</b> 6042-86	<b>7042-32</b> 6042-84	-	Poclairn: 75, 81, 85, 90 Case: 888, 1088	<b>55</b>
<b>16040-13</b>	-	<b>16040-11</b>	<b>16040-12</b>	-	Poclairn: 160, 120	<b>60</b>
<b>15040-92</b>	-	<b>15040-94</b>	<b>15040-93</b>	-	Poclairn: 160, 120	<b>68</b>
Pag. 5.8	Pag. 5.8	Pag. 5.9	Pag. 5.9	Pag. 5.10		

## Diente Standard para Excavadoras



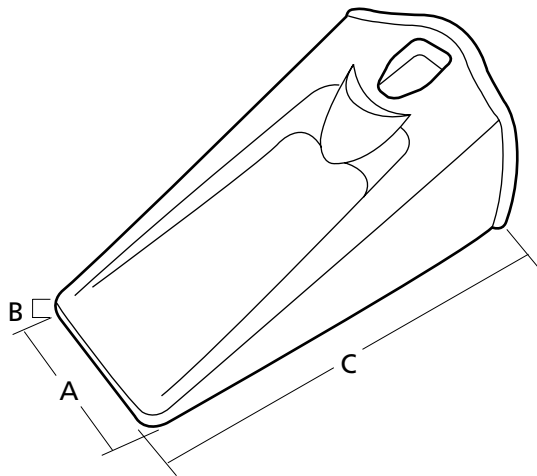
mm.			KG	Image 1	Image 2	Image 3	Image 4	Image 5	Image 6
A	B	C							
90 3,54"	9 0,35"	177 6,97"	4,35 9,59	<b>7042-25</b> 6042-81	6042-91	N0120601	Poclairn: 60,61,70,75,85 Case: 688,888	<b>44</b>	
100 3,94"	8 0,31"	226 8,90"	6,10 13,45	<b>7042-29</b> 6042-82	-	P0120602	Poclairn: 75, 81, 85, 90 Case: 888, 1088	<b>55</b>	
120 4,72"	11 0,43"	245 9,65"	11,00 24,25	<b>16040-13</b>	-	T1236129	Poclairn: 160, 120	<b>60</b>	
136 5,35"	12 0,47"	275 10,83"	16,25 35,82	<b>15040-92</b>	-	P1236125	Poclairn: 160, 120	<b>68</b>	

## Diente SYL para Excavadoras



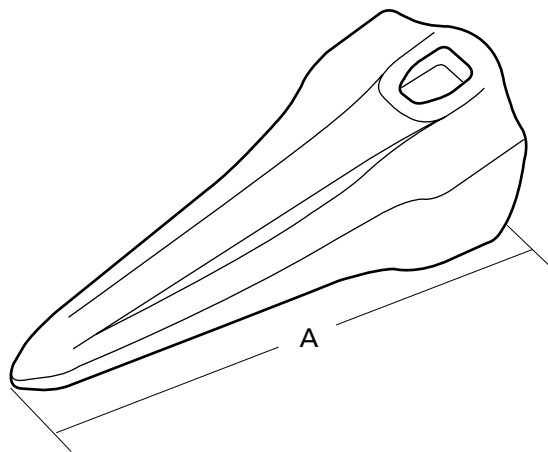
mm.				KG	Image 1	Image 2	Image 3	Image 4	Image 5
A	B	C	D						
100 3,94"	70 2,76"	190 7,48"	90 3,54"	3,22 7,10	<b>7042-25 SYL</b>	6042-91	N0120601	Poclairn: 60,61,70,75,85 Case: 688,888	<b>44</b>
129 5,08"	100 3,94"	227 8,94"	102 4,02"	6,24 13,76	<b>7042-29 SYL</b>	-	P0120602	Poclairn: 75, 81, 85, 90 Case: 888, 1088	<b>55</b>

## Diente Roca para Excavadoras



mm.								
A	B	C						
88 3,46"	20 0,79"	178 7,01"	4,86 10,71	<b>7042-26</b> 6042-85	6042-91	N0120601	Poclair: 60,61,70,75,85 Case: 688,888	<b>44</b>
110 4,33"	24 0,94"	223 8,78"	8,00 17,64	<b>7042-30</b> 6042-86	-	P0120602	Poclair: 75, 81, 85, 90 Case: 888, 1088	<b>55</b>
120 4,72"	27 1,06"	245 9,65"	12,40 27,34	<b>16040-11</b>	-	T1236129	Poclair: 160, 120	<b>60</b>
136 5,35"	30 1,18"	275 10,83"	17,83 39,31	<b>15040-94</b>	-	P1236125	Poclair: 160, 120	<b>68</b>

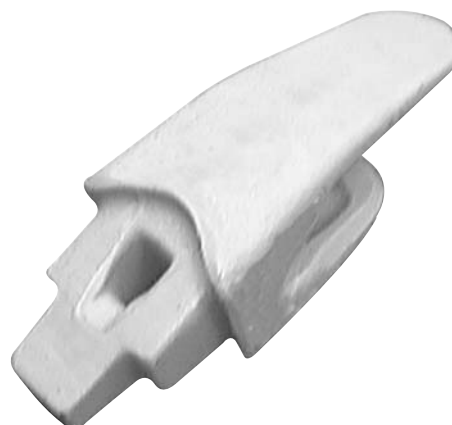
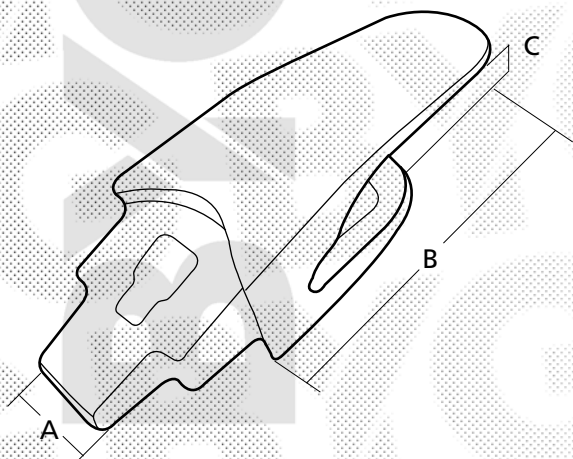
## Diente Penetración para Excavadoras



mm.						
A						
227 8,94"	3,25 7,16	<b>7042-28</b> 6042-83	6042-91	N0120601	Poclair: 60,61,70,75,85 / Case: 688,888	<b>44</b>
305 12,01"	6,15 13,56	<b>7042-32</b> 6042-84	-	P0120602	Poclair: 75, 81, 85, 90 / Case: 888, 1088	<b>55</b>
308 12,13"	10,20 22,49	<b>16040-12</b>	-	T1236129	Poclair: 160, 120	<b>60</b>
347 13,66"	14,75 32,52	<b>15040-93</b>	-	P1236125	Poclair: 160, 120	<b>68</b>

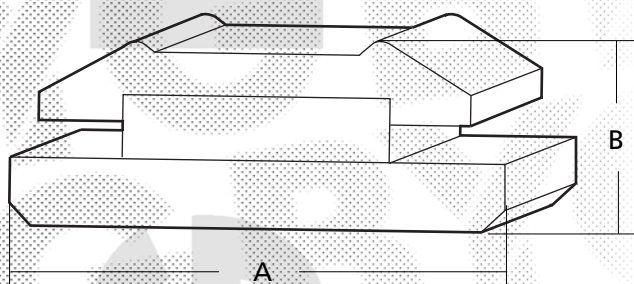


## Portadiante para Excavadoras



mm.							
A	B	C					
45 1,77"	180 7,09"	40 1,57"	6,75 14,88	<b>6042-91</b>	N0120601	Poclain: 60,61,70,75,85 Case: 688,888	<b>44</b>

## Chavetas Tipo Poclain



mm.			
A	B		
84 3,31"	27 1,06"	<b>N0120601</b>	<b>44</b>
106 4,17"	34 1,34"	<b>P0120602</b>	<b>55</b>
116 4,57"	37 1,46"	<b>T1236129</b>	<b>60</b>
134 5,28"	41 1,61"	<b>P1236125</b>	<b>68</b>