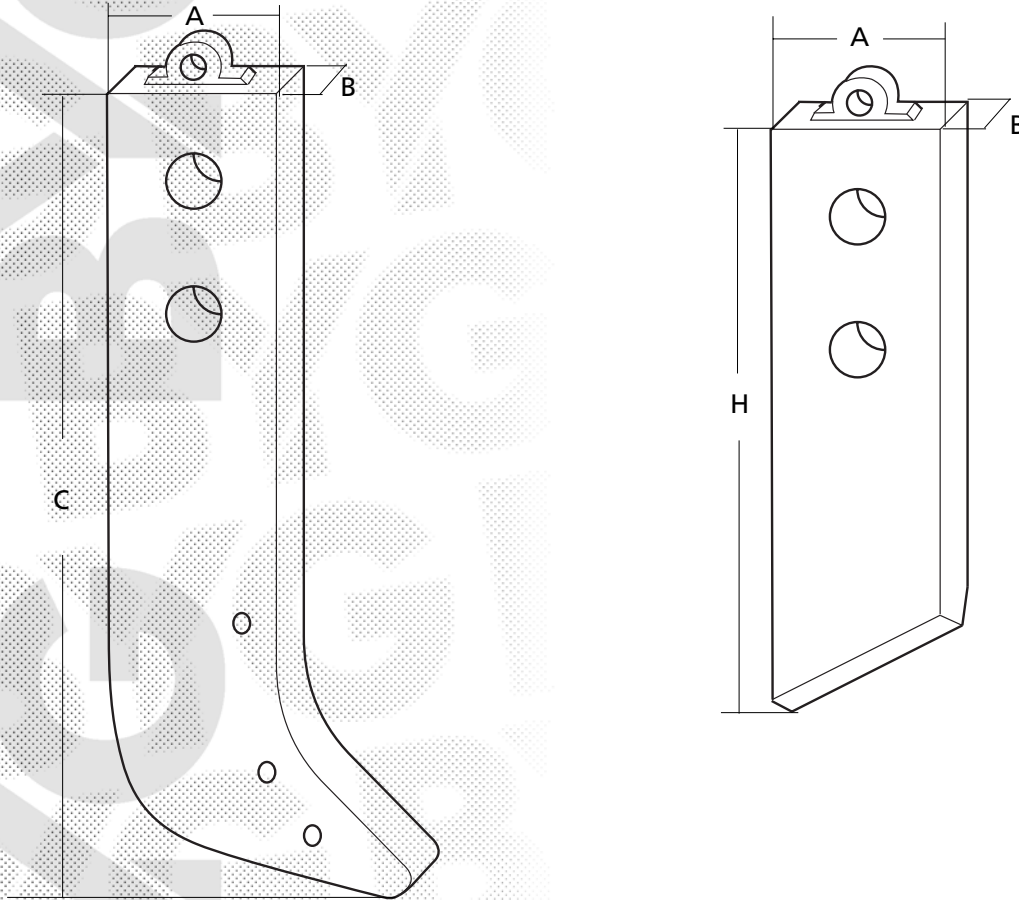


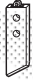
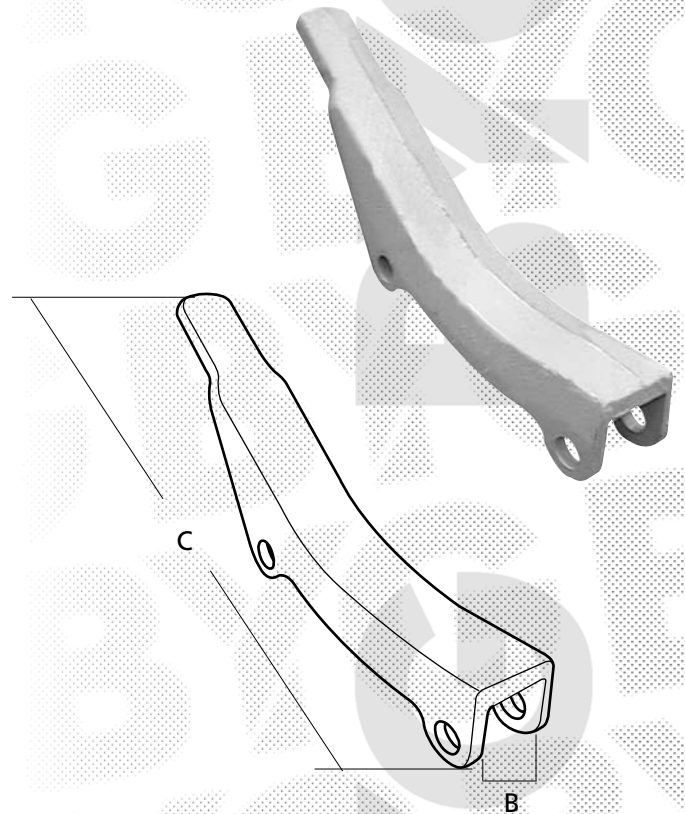
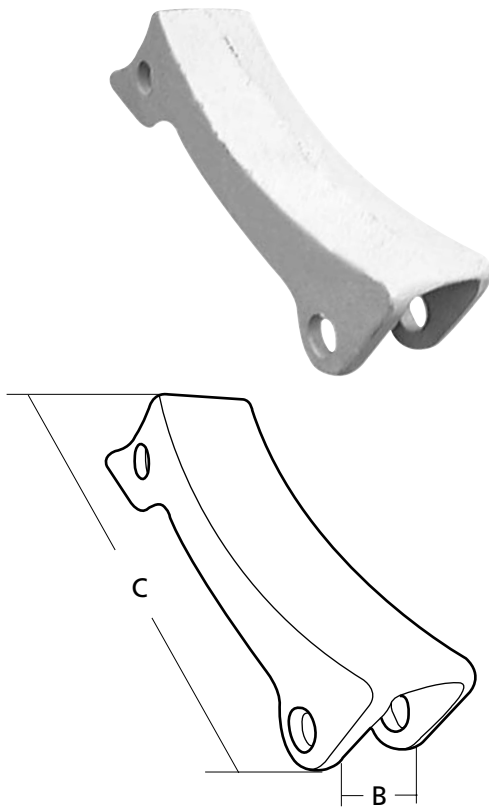


## Vástagos de Ripper y Cañas de Vástago



			mm.				Agujeros
			A	B	C	H	
 D40/D45, D40/D41 D50/D53-16 D50/D53-17 D66S	 <b>131-78-31180</b> 131-78-00141	 <b>Z4550184-</b>	184	50	864	-	<b>3</b>
			7,24"	1,97"	34,02"	-	
D60/D65-7 D60/D65-8 D65-12, D75A-1 D75S-3, D75S-5 D85E-SS-2A	<b>141-78-11241</b> 141-78-00081	<b>Z4075178-</b>	178	75	686	-	<b>2</b>
			7,01"	2,95"	27,01"	-	
D85-18, D85-21 D135A-1, D135A-2 D150A-1, D155A-1 D155A-2, D155AX-3	<b>154-78-14344</b>	<b>Z4075235-</b>	235		1320	-	<b>2</b>
			9,25"		51,97"	-	
			<b>175-78-21613</b>	<b>Z4075317-</b>	317	75	
12,48"	2,95"	62,99"			-		
D275A-2 D355A-3 D455A-1	<b>175-78-21614</b>	<b>Z4075330-</b>	330		1640	-	<b>2</b>
			12,99"		64,57"	-	
D275A-2 D355A-3 D455A-1	<b>195-79-31140</b>	<b>Z4090400-</b>	400		2350	-	<b>4</b>
			15,75"		92,52"	-	
D275A-2 D355A-3 D455A-1	<b>195-78-41190</b>	<b>Z4090360-</b>	360	90	1800	-	<b>2</b>
			14,17"	3,54"	70,87"	-	
D375A-1	<b>195-78-71120</b>	<b>Z4090360-</b>	360	90	1840	-	-
			14,17"	3,54"	72,44"	-	-
D375A-1 D375A-2	<b>195-79-51110</b>	<b>Z4095400-</b>	400	95	2350	-	-
			15,75"	3,74"	92,52"	-	
D455A-1	<b>198-79-11630</b>	<b>Z4001464-</b>	464	110	2845	-	<b>5</b>
			18,27"	4,33"	112,01"	-	
D455A-1	<b>198-78-11240</b>	<b>Z4095400-</b>	400	95	2159	-	<b>2</b>
			15,75"	3,74"	85,00"	-	
D475A-1	-	-	-	-	-	-	-
D475A-2	-	-	-	-	-	-	-
D575A-2	-	-	-	-	-	-	-

Protectores



mm.									
↔	B	C	KG						
-	-	-	-	-	-	-	-	-	D40/D45, D40/D41 D50/D53-16 D50/D53-17 D66S
-	-	-	-	-	-	-	-	154-78-14340 175-78-21610	D60/D65-7 D60/D65-8 D65-12, D75A-1 D75S-3, D75S-5 D85E-SS-2A
75 2,95"	79 3,11"	467 18,39"	6,80 14,99	<b>195-78-21320</b>	-	09244-02508	09244-02508	195-78-14350	D85-18, D85-21 D135A-1, D135A-2 D150A-1, D155A-1 D155A-2, D155AX-3
		703 27,68"	12,24 26,98	-	<b>195-78-21580</b>			198-79-11620	D275A-2 D355A-3 D455A-1
75 2,95"	78 3,07"	513 20,20"	3,20 7,05	<b>195-78-71111</b> 195-78-71110	-	09244-02508	09244-02508	195-78-71380	D375A-1
80 3,15"	82 3,23"	862 33,94"	49,90 110,01	-	195-78-72410	09244-03036	09244-03036	198-78-71380	D375A-1 D375A-2
-	-	-	-	198-79-11220	-	09244-03036	09244-03036	-	D455A-1
-	-	-	-	-	198-79-11640	-	-	-	-
95 3,74"	98 3,86"	683 26,89"	39 85,98	198-78-21330	-	09244-03036	09244-03036	198-78-21430	D475A-1 D475A-2
-	-	-	-	-	-	-	-	-	D575A-2

# Adaptadores de Ripper

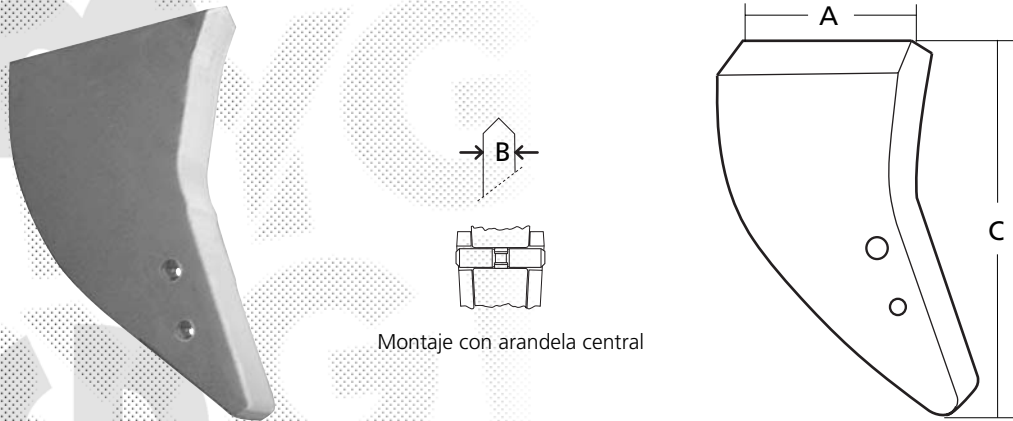

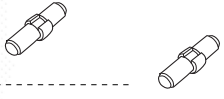
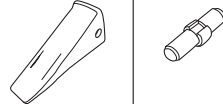
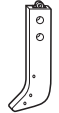
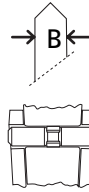
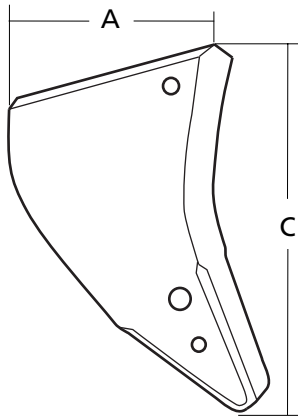


Fig. 1

	mm.			Fig. 1	Fig. 2					
	A	B	C							
D40/D45, D40/D41 D50/D53-16 D50/D53-17, D66S	-	-	-	-	-	-	-	131-78-31190	09244-02496	131-78-31180 131-78-00141
D60/D65-7 D60/D65-8 D65-12 D75A-1	178	76	-	-	-	-	-	141-78-11253 141-78-11330	09244-02508	141-78-11241 141-78-00081
D75S-3 D75S-5 D85E-SS-2A	178	76	-	<b>175-78-21610</b>	-	-	09244-02508	141-78-11254		
D85-18, D85-21 D135A-1 D135A-2 D150A-1 D155A-1 D155A-2 D155AX-3	300	76	-	-	-	-	-	175-78-32230 175-78-34131 175-78-61660 175-78-31293 175-78-34141 175-78-61670 175-78-31232	09244-02508	154-78-14344 175-78-21613 195-79-21614
D275A-2 D355A-3 D455A-1	-	-	-	-	-	-	-	17M-78-21350 195-78-21331 195-78-29130 195-78-71440 195-78-29140 195-78-71450 195-78-21333	09244-02508	195-79-31140 195-78-41190

# Adaptadores de Ripper



Montaje con arandela central



Fig. 2

Image	mm.			Fig. 1	Fig. 2	Image	Image	Image	Image
	A	B	C						
	351	76	484						
D375A-1						09244-02508	09244-02508	195-78-71140 195-78-71250 195-78-71260 195-78-71240	09244-02508 195-78-71120
	13,82"	2,99"	19,06"					195--78-71420	
D375A-1								195-78-71320	
D375A-2						09244-03036	09244-03036	195-78-71370	
								195-78-71340	195-78-71360 195-79-51110
								195-78-71350	
								195-78-71330	
								195--78-71390	
D455A-1	-	-	-	-	-	-	-	198-79-11560	09244-03036 198-79-11630
								198-79-11551	198-78-11240
D475A-1	359	95	567					198-78-21420	
D475A-2	14,13"	3,74"	22,32"			09244-03036	09244-03036	198-78-21340	09244-03036(A-1)
								198-78-21350	198-78-21410(A-2)
								198-78-21380	
D575A-2	-	-	-	-	-	-	-	19M-78-11520	19M-78-11370
								19M-78-11450	
								19M-78-11510	
								19M-78-11450	
								19M-78-11341	

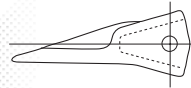
# Dientes de Ripper



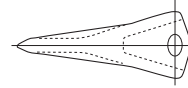
**Fig. 1**



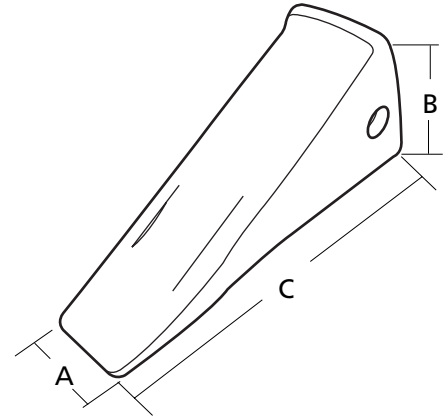
**Fig. 2**  
Corto



Penetración:  
buena penetración



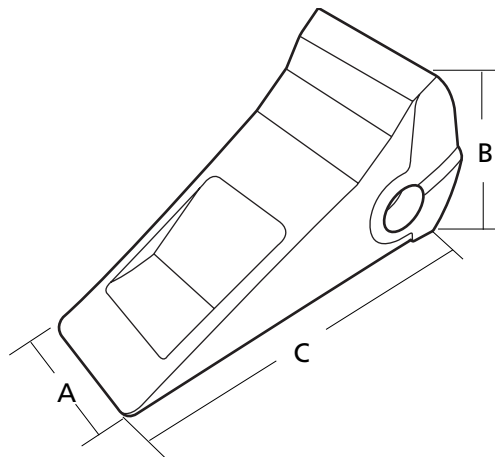
Diente simétrico:  
más material  
de desgaste



mm.		C	KG	Forma	Fig	Fig	Calidad	Tipos		Part Number	Aplicaciones
A	B							•	•		
90	115	260	17,56	-	1	131-78-31190	STD	•	09244-02496	D40/D45, D40/D41 D50/D53-16 D50/D53-17 D66S	
3,54"	4,53"	10,24"	38,71								
		277	17,56	Standard	3	141-78-11253	STD	•		D60/D65-7 D60/D65-8	
		10,91"	38,71								
116	125	219	-	Corto	3	141-78-11330		•	09244-02508	D65-12, D75A-1 D75S-3, D75S-5 D85E-SS-2A	
4,57"	4,92"	8,62"	-								
		342	-	Largo	3	141-78-11254		•			
		13,46"	-								
		335	24,50	Corto	4	175-78-31230	STD	•			
		13,19"	54,01								
		-	7,10	Corto	4	175-78-31232	HD	•		D85-18, D85-21	
		-	15,65								
		379	-	Largo	2	175-78-34131	STD	•		D135A-1, D135A-2	
		14,92"	-								
118	129,3	-	-	Largo	2	175-78-34141	HD	•	09244-02508	D150A-1, D155A-1	
4,65"	5,09"	-	-								
		385	-	Largo	4	175-78-31293	HD	•		D155A-2, D155AX-3	
		15,16"	-								
		-	-			175-78-61660					
		-	-			175-78-61670					
		-	-								
		365	6,80	Corto	4	195-78-21331	STD	•			
		14,37"	14,99								
		-	1,75	Corto	4	195-78-21333	HD	•			
		-	3,86								
118	155	418	-	Largo	2	195-78-29130	STD	•	09244-02508	D275A-2 D355A-3	
4,65"	6,10"	16,46"	-								
		-	-	Largo	2	195-78-29140	HD	•		D455A-1	
		-	-								
		-	-			17M-78-21350					
		-	-			195-78-71440					
		-	-			195-78-71450					

STD - Standard, van pintados en amarillo  
HD - Heavy Duty, van pintados en rojo y sólo se servirán bajo pedido

# Dientes de Ripper



**Fig. 3  
STD**



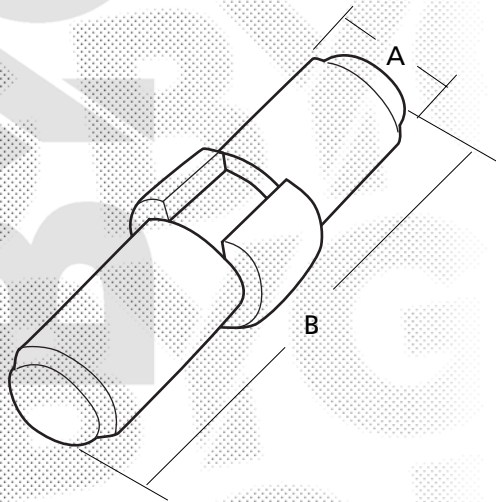
**Fig. 4**



mm.			KG	Forma	Fig	Part Number	Calidad	Tip	Tip	Attachment	Machine
A	B	C									
124	173	435	4,50 9,92	Largo	<b>2</b>	<b>195-78-71140</b>	STD	•		09244-02508	D375A-1
		958,99	-	Largo	<b>2</b>	195-78-71240	HD	•			
273,37	381,39	487	-	Corto	<b>2</b>	195-78-71250	STD	•		09244-02508	D375A-1
		1073,63	-		<b>2</b>	195-78-71260	HD	•			
124	173	435	6,35 14,00	Largo	<b>2</b>	<b>195-78-71320</b>	STD	•		195-78-71360	D375A-1 D375A-2
		958,99	3,10 6,83	Largo	<b>2</b>	<b>195-78-71330</b>	HD	•			
273,37	381,39	487	-	Corto	<b>2</b>	195-78-71340	STD	•		195-78-71360	D375A-1 D375A-2
		1073,63	-	Largo	<b>2</b>	195-78-71350	HD	•			
						195-78-71420					
						195-78-71370					
						195-78-71390					
137	183	430	-		<b>4</b>	198-79-11560	STD	•		09244-03036	D455A-1
		302,03	403,44	947,97	-		<b>4</b>	198-79-11551	HD		
150	201	465	6,15 13,56	Largo	<b>2</b>	<b>198-78-21340 (A-1)</b>	STD	•		09244-03036 (A-1)	D475A-1 D475A-2
		330,69	443,12	1025,13	19,40 42,77	Largo	<b>2</b>	<b>198-78-21350</b>	HD		
						198-78-21420					
						198-78-21380					
						19M-78-11520					
						19M-78-11450					
						19M-78-11510				19M-78-11370	D575A-2
						19M-78-11450					
						19M-78-11341					

STD - Standard, van pintados en amarillo

HD - Heavy Duty, van pintados en rojo y sólo se servirán bajo pedido

## Sujeción Ripper



mm.		Ref. BYG	Ref. Alternativa	
A	B			
25 0,98"	97 3,82"	<b>09244-02496</b>	205-70-19610 205-70-69130	D40/D45, D40/D41, D50/D53-16 D50/D53-17, D66S
				D60/D65-7 D60/D65-8, D65-12, D75A-1 D75S-3, D75S-5, D85E-SS-2A
25 0,98"	109 4,29"	<b>09244-02508</b>	175-78-21740	D85-18, D85-21, D135A-1, D135A-2 D150A-1, D155A-1, D155A-2, D155AX-3
				D275A-2, D355A-3 D455A-1
				D375A-1
25 0,98"	145 5,71"	<b>09244-03036</b>	198-79-11320 A03-78-11730 426-847-1130	D455A-1, D475A-1, D375A-1, D375A-2
30 1,18"	113 4,45"	<b>195-78-71360</b>	-	D375A-1 D375A-2
-	-	198-78-21410	-	D475A-2
-	-	198-78-21340	-	D475A-1, D475A-2
35 1,38"	185 7,28"	<b>19M-78-11370</b>	19M-78-11371	D575 A-2