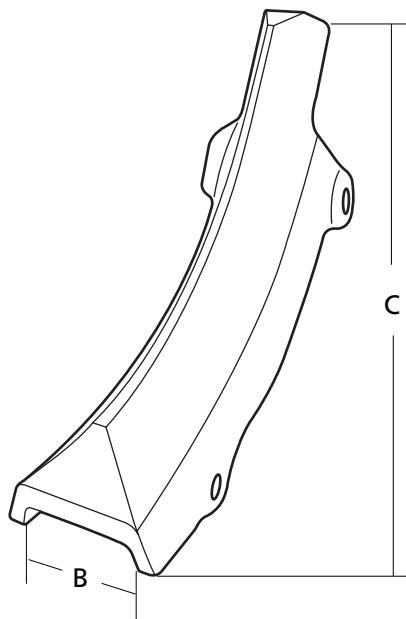
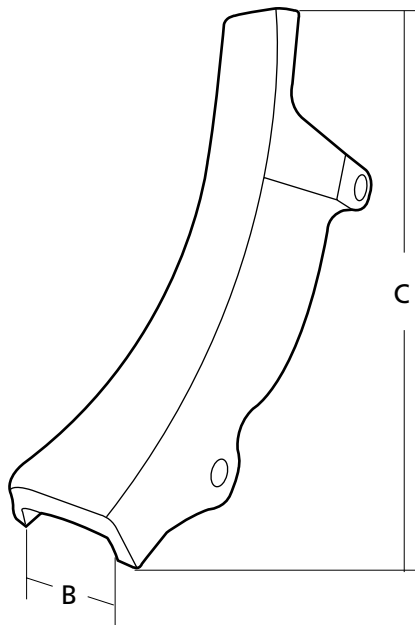


Vástago Completo y Caña de Vástago

Potencia CV	A	B	mm.				Agujeros							
			"	"	"	"								
60-100	22-RC4	Z4560140	140	5,51"	60	2,36"	500	19,69"	-	-	1			
100-160	25-RC6	Z4075178	178	7,01"	75	2,95"	600	23,62"	-	-	1			
160-300	35-RK155	Z40753181150	318	12,52"	75	2,95"	1622	63,86"	1120	44,09"	2			
	35-RC9P4	Z40753301150	330,2	13,00"	75	2,95"	1650	64,96"	1150	45,28"	2			
	<i>35-5RC9P4*</i>	Z40753301300					1772	69,76"	1265	49,80"	2			
	35-RK9 C176	Z40903561450	355,6	14,00"	90	3,54"	1930	75,98"	1430	56,30"	3			
	<i>35-5RK155-76*</i>	Z40903561350			94	3,70"	1930	75,98"	1320	51,97"	3			
	39-RC8L	Z40753301200	330,2	13,00"	75	2,95"	1805	71,06"	1200	47,24"	3			
	<i>39-5RC8L100*</i>	Z40753302050					2540	100,00"	2032	80,00"	4			
	39-5RC9H-84	Z40753301650					2134	84,02"	1626	64,02"	4			
	39-5RC9-84	Z40753301650					2134	84,02"	1626	64,02"	3			
	39-5RC8L-80	Z40753301450					2032	80,00"	1424	56,06"	4			
39-RC9H-70	Z40753301200	1778					70,00"	1168	45,98"	2				
39-5RC9-65	Z40753301050	1651					65,00"	1041	40,98"	2				
<i>39-5RC89PS4*</i>	Z40753561550	355,6					14,00"	75	2,95"	2121	83,50"	1511	59,49"	3
39-RC9L	Z40903561550	2125					83,66"	1525	60,04"	4				
39-RC89	Z40903561400	2035					80,12"	1400	55,12"	3				
300-500	39-RK9 C176	Z40903561350	1930	75,98"	1320	51,97"	3							
	39-RK9 C1104	Z40903562050	2641	103,98"	2030	79,92"	5							
	39-RK9 DO76	Z40903561650	1930	75,98"	1620	63,78"	3							
	<i>39-5RC9L97*</i>	Z40903561900	2464	97,01"	1854	72,99"	4							
	<i>39-5RK375-84*</i>	Z40903561550	2134	84,02"	1524	60,00"	3							
	<i>39-5RC10-76*</i>	Z40903561350	1930	75,98"	1320	51,97"	2							
	<i>39-5RC9L70*</i>	Z40903561200	1765	69,49"	1155	45,47"	2							
	<i>39-5RC9L70-1*</i>	Z40903561200	1765	69,49"	1155	45,47"	2							
	39-5RC8-132	Z40903562750	355,6	14,00"	90	3,54"	3353	132,01"	2743	107,99"	7			
	39-5RK375-130	Z40903562700	3302	130,00"	2692	105,98"	7							
	39-5R375A-130	Z40903562700	3302	130,00"	2692	105,98"	5							
	39-5RC9LPS-102	Z40903562000	2591	102,01"	1981	77,99"	4							
	39-5R09L-101	Z40903562000	2565	100,98"	1955	76,97"	4							
	39-59C9LPS-92	Z40903562000	2337	92,01"	1955	76,97"	4							
	39-59C9H-88A	Z40903561650	2235	87,99"	1625	63,98"	4							
	39-5RC9H-88	Z40903561650	2235	87,99"	1625	63,98"	2							
	39-5RK375-72	Z40903561250	1829	72,01"	1219	47,99"	2							
	39-5RC9L-70	Z40903561200	1765	69,49"	1155	45,47"	2							
	39-5RK375A-71	Z40903601200	360	14,17"	90	3,54"	1797	70,75"	1187	46,73"	2			
	39-5RD10-102	Z40903802000	380	14,96"	90	3,54"	2591	102,01"	1981	77,99"	4			
39-RK355	Z40903951500	395	15,55"	90	3,54"	2100	82,68"	1500	59,06"	3				
39-5RK355P-72	Z40904001100	400	15,75"	90	3,54"	1829	72,01"	1067	42,01"	2				
39-RFA31-SHD	Z40014151450	415	16,34"	100	3,94"	2050	80,71"	1450	57,09"	3				
39-5RC10N-111	Z40013802150	380	14,96"	100	3,94"	2870	112,99"	2108	82,99"	3				
<i>39-5RCD10*</i>	Z40014001650	400	15,75"	100	3,94"	2405	94,69"	1643	64,69"	2				
39-RK41-11	Z40014002700	400	15,75"	114	4,49"	3300	129,92"	2690	105,91"	6				
500-900	49-5RC9LPS-85	Z40903561200	355,6	14,00"	89	3,50"	2007	79,02"	1181	46,50"	2			
	49-5RC9L	Z40903561500			90	3,54"	2355	92,72"	1500	59,06"	4			
	49-RC10	Z40004001850	400	15,75"	100	3,94"	2695	106,10"	1845	72,64"	4			
	49-RK375	Z40004001100					1451	57,13"	1056	41,57"	4			
	49-5RC10	Z40004001850					2695	106,10"	1845	72,64"	4			
	49-5RK375	Z40004001100					1451	57,13"	1056	41,57"	4			
	<i>49-5RC10107*</i>	Z40004001900					2718	107,01"	1892	74,49"	3			
	49-5RC109-113	Z40004002050					2870	112,99"	2044	80,47"	3			
	49-5RD11-102	Z40004001800					2591	102,01"	1765	69,49"	4			
	49-RC11	Z40014501800					2651	104,37"	1800	70,87"	4			
	49-5RC11	Z40014501800	450	17,72"	110	4,33"	2651	104,37"	1800	70,87"	4			
	49-5RC11N-107	Z40014501900					2718	107,01"	1892	74,49"	4			
	49-5RD11-107	Z40014501900	2718	107,01"	1892	74,49"	3							
	49-RK475	Z40014601900	460	18,11"	110	4,33"	2730	107,48"	1880	74,02"	5			
49-5RK455	Z40014601900	2730					107,48"	1880	74,02"	5				
49-5RD11-101	Z40014501750	450	17,72"			2565	100,98"	1739	68,46"	4				
49-5RK475-102	Z40014601800	460	18,11"	114	4,49"	2591	102,01"	1765	69,49"	3				
49-5RK475-87	Z40014601400					2210	87,01"	1384	54,49"	4				
49-5RK475-84	Z40014601350					2134	84,02"	1304	51,34"	4				

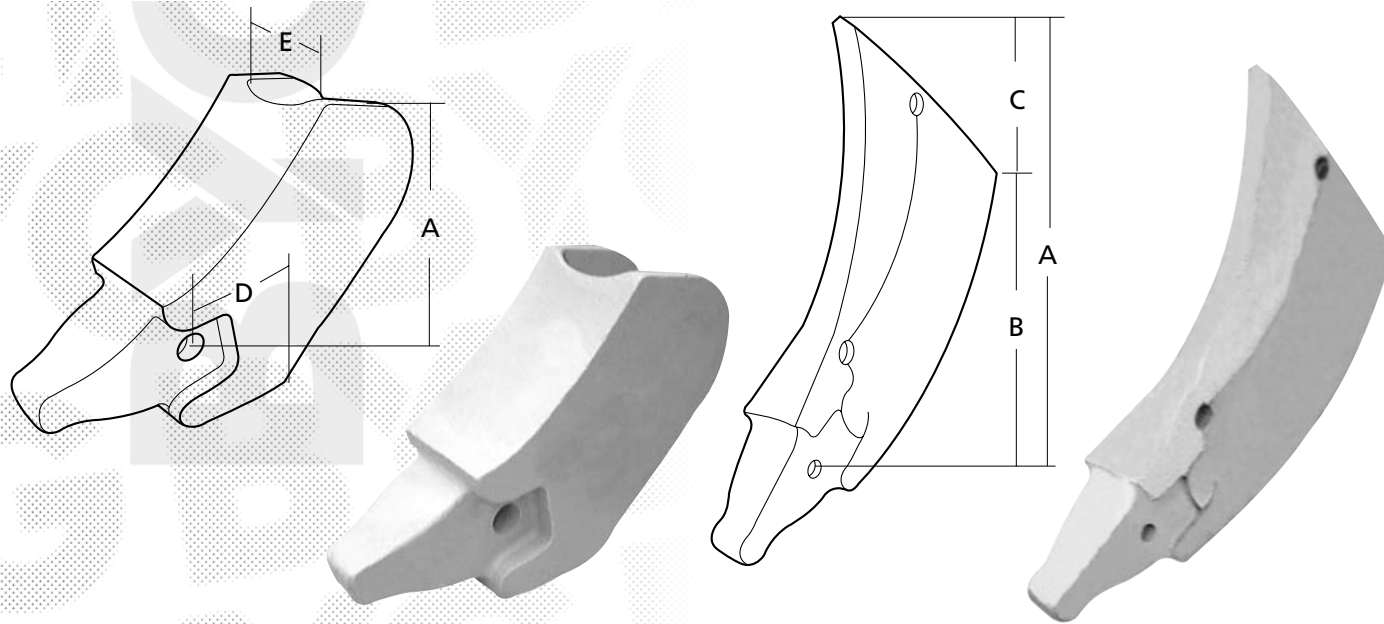
* Vástago fundido

Protectores de Ripper



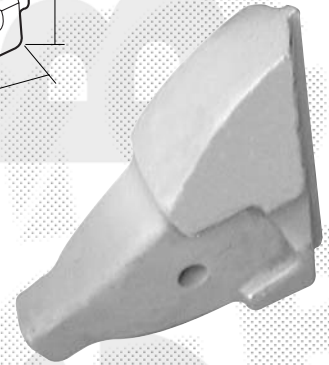
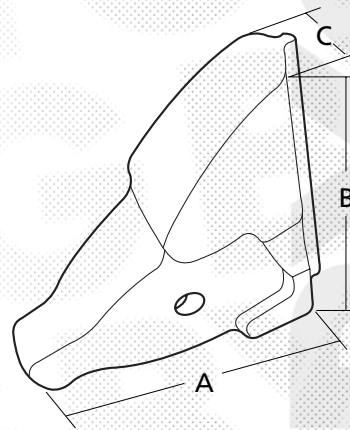
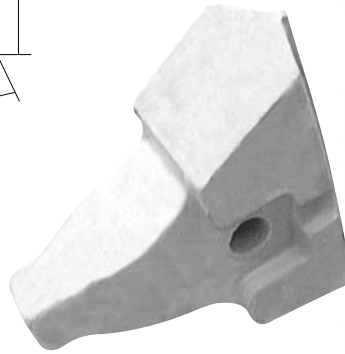
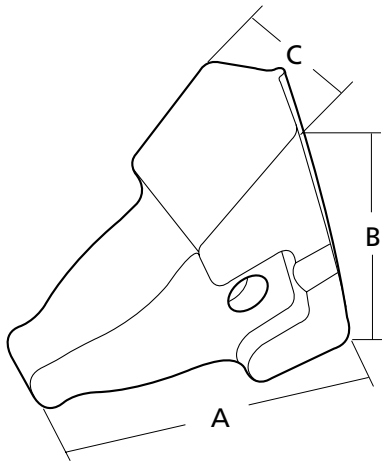
mm.					kg	kg	kg	kg	kg	kg	kg	kg	kg	Potencia CV
→ ←		B	C											
60	75	90	70	537	-	-	35-RSLH	35-RPH	35-RPH	35-RPH	35-RPH	35-RPH	35-RWNSA	160-300
2,36"	2,95"	3,54"	2,76"	21,14"	-	-		49-SR	49-SR	49-SR	49-SR	49-SR		
60	75	90	70	537	24,00	35-5RSL	-	-	-	35-RSP	-	35-RSP	35-5RWNS	300-500
2,36"	2,95"	3,54"	2,76"	21,14"	52,91									
75	90	100	85	580	30,70	-	39-RHSL	39-SPH	39-SPH	39-SPH	39-SPH	39-SPH	39-RWNS1A	300-500
2,95"	3,54"	3,94"	3,35"	22,83"	67,68		FE39 RPT	39-SRH	39-SRH	39-SRH	39-SRH	39-SRH		
75	90	100	85	591	41,30	39-5RSLA	-	-	-	39-RSP	-	39-RSP	39-5RWNS	500-900
2,95"	3,54"	3,94"	3,35"	23,27"	91,05								39-5RWNS2	
-	-	-	-	-	-	-	49-RSL	49RP-39RPH	49RP-39RPH	49RP-39RPH	49RP-39RPH	49RP-39RPH	49-RWNS1A	500-900
-	-	-	-	-	-	-		49-SR	49-SR	49-SR	49-SR			
100	110	115	100	664	42,20	49-5RSL	-	-	-	49-RSP	-	49-RSP	49-5RWNS	
3,94"	4,33"	4,53"	3,94"	26,14"	93,03									

Adaptadores de Ripper



Potencia CV	mm.					Diagram	Pin	Pin	Pin	Pin	Pin	Pin	Pin	Pin	Pin	Pin
	A	B	C	D	E											
60	138	-	-	75	51		-	-	-	-	22-R10	22-RPG	a	22-RC4	⇒	
100	5,43"	-	-	2,95"	2,01"											22-RNSLF
100	173	-	-	71	61		-	-	-	-	25-R12 G25R	25-RPG	a	25-RC6	⇒	
160	6,81"	-	-	2,80"	2,40"											25-RNSPF
173	-	-	78	71	61		-	-	-	-	35-R14A G35R	35-RPG	a	35-RC9P4		
160	6,81"	-	-	3,07"	2,80"											35-RNSPF
160	166	-	-	86	83		-	-	-	-	35-RH14A 35-RH15A 35-RH16-1A	35-RPH	b	35-RK155	⇒	
300	6,54"	-	-	3,39"	3,27"											35-RWNSA
300	508	305	203	-	70		35-RPH 49-SR	-	35-RPH 49-SR	-	35-R14 35-R15	35-RSP	c	35-SRK155-76 35-5RC9P4		
500	20,00"	12,01"	7,99"	-	2,76"											35-5RWNS
610	356	254	-	85	85		39-SPH 39-SRH	-	39-SPH 39-SRH	-	39-R16A 39-R17E	39-RPG	a	39-RFA31-SHD 39-RK41-11 39RK9 C 176 39-RK9 C 1104 39-RK9 D076	39-RC89 39-RC8L 39-RC9L 39-RK355	
300	24,02"	14,02"	10,00"	-	3,35"											
300	610	356	254	-	103		-	-	-	-	39-R17A 39-R18E	39-RSP	c	39-5RC8L100 39-5RC9L97 39-5RK375-84 39-5RC89PS4 39-5RC10-76 39-5RC9L70 39-5RC9L70-1 39-5RC8-132 39-5RK375-130 39-5R375A-130	39-5R09L-101 39-5RC9H-88 39-5RC9H-88 39-5RK355-72 39-5RK375-72	⇒
500	24,02"	14,02"	10,00"	-	4,06"											
610	356	254	-	85	85		-	-	-	-	49RPH-39RPH 49-SR	b	49-RC10 49-RC11	49-RK375 49-RK475		
300	24,02"	14,02"	10,00"	-	3,35"											49-RWNS1A
500	815	524	456	-	103		49RPH-39RPH 49-SR	49RPH-39RPH 49-SR	-	-	49-R18A 49-R20EA 49-R21V	49RPH-39RPH 49-SR	b	49-5RK455 49-5RC9L 49-5RC10	49-5RK375 49-5RC11	⇒
900	32,09"	20,63"	17,95"	-	4,06"											
900	815	524	456	-	103		49RPH-39RPH 49-SR	49RPH-39RPH 49-SR	-	-	49-5R18 49-5R19V 49-5R21V	49-RSP	c	49-5RC10107 49-5RC109-113 49-5RC11N-107 49-5RD1-107 49-5RK475-102	49-5RD11-102 49-5RD11-101 49-5RK475-87 49-5RK475-84 49-5RC9LPS-85	⇒

Narices de Ripper



mm.									Potencia CV		
A	B	C									
171 6,73"	145 5,71"	78 3,07"	22-RN		22-R10	22-RPG 22-RBG			22-RC4	60-100	
190 7,48"	168 6,61"	90 3,54"	25-RN		25-R12 G25R 25-R12VIP	25-RPG 25-RBG			25-RC6	100-160	
253 9,96"	225 8,86"	113 4,45"	35-RN		35-R14A G35R	35-RPG 35-RBG			35-RC9P4 35-RK155 35-RK9 C176	160-300	
236 9,29"	216 8,50"	113 4,45"	35-5RN		35-5R14 35-5R15		35-RPH 49-SR	35-RSP	35-5RK155-76 35-5RC9P4		
330 12,99"	243 9,57"	128 5,04"	39-RWN		39-R16 39-R17E	39-RPG 39-RBG			39-RFA31-SHD 39-RK41-11 39-RK9 C176 39-RK9 C1104 39-RK9 DO76	39-RC89 39-RC8L 39-RC9L 39-RK355	
330 12,99"	243 9,57"	128 5,04"	39-5RWN		39-5R17A 39-5R18A		49RP-39RPH 49-SR	39-RSP	39-5RC8L100 39-5RC9L97 39-5RC9LPS-92 39-5RCD10 39-5RC9H-88A 39-5RC9H-88 39-5RC9H-84 39-5RC9-84 39-5RC9L70 39-5RC8L-80 39-5RC9L70-1 39-5RC8-132 39-5RC375-130 39-5RC375A-130 39-5RC10N-111 39-5RC9LPS-10 39-5RD10-102	39-5R09L-101 39-5RC9LPS-92 39-5RC9H-88A 39-5RC9H-88 39-5RC9H-84 39-5RC9-84 39-5RC8L-80 39-5RC8L-80 39-5RK355P-72 39-5RK375-72 39-5RK375A-71 39-RC9H-70 39-5RC9L-70 39-5RC9-65	300-500
395 15,55"	292 11,50"	114 4,49"	49-RWN		49-R18A 49-R20EA 49-R21V		49RP-39RPH 49-SR		49-RC10 49-RC11	49-RK375 49-RK475	
				□	49-5R18 49-5R19V 49-5R21V		49-RSP		49-5RK455 49-5RC96 49-5RC10 49-5RC10107 49-5RC109-113 49-5RC11N-107 49-5RD11-107 49-5RK475-102	49-5RK375 49-5RC11 49-5RD11-102 49-5RD11-101 49-5RK475-87 49-5RK475-84 49-5RCLPS-85	500-900

□ No se Fabrica

Dientes de Ripper

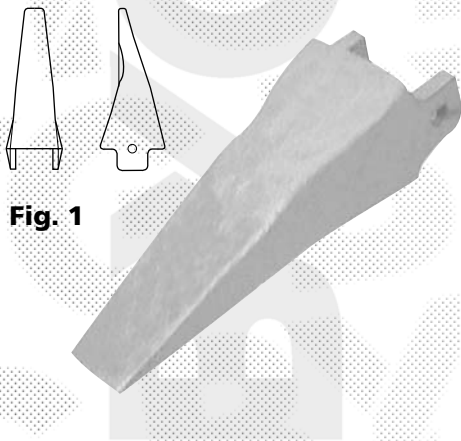


Fig. 1

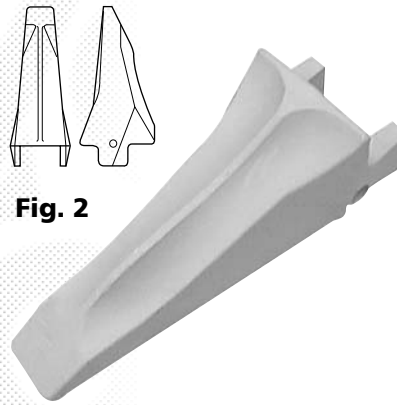


Fig. 2

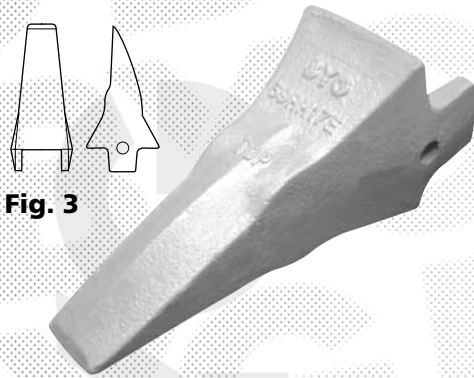
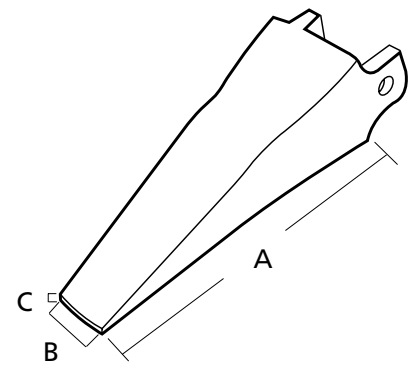


Fig. 3

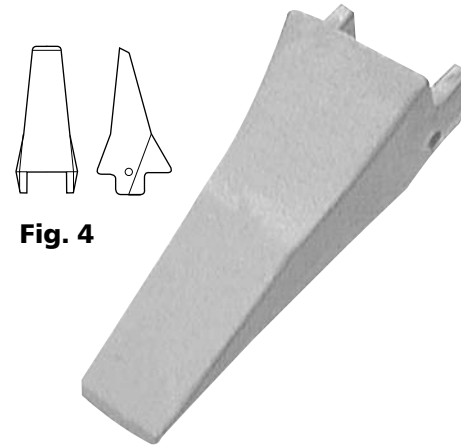
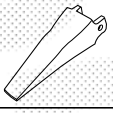





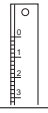


Fig. 4

mm.			KG lb		Fig.						Potencia CV	
A	B	C										
268 10,55"	45 1,77"	9 0,35"	4,30 9,48	22-R10	1	22-RPG	22-RBG	-	-	-	60-100	22
305 12,01"	51 2,01"	10 0,39"	5,18 11,42	25-R12	1	25-RPG	25-RBG	-	-	-	100-160	25
315 12,40"	10 0,39"	-	5,40 11,90	25-R12VIP	1	-	-	-	-	-	-	-
355 13,98"	76 2,99"	10 0,39"	12,00 26,46	35-R14A	4	35-RPG	35-RBG	-	-	-	-	-
355 13,98"	76 2,99"	10 0,39"	12,00 26,46	35-RH14A	4	-	-	-	-	-	-	-
381 15,00"	76 2,99"	10 0,39"	12,80 28,22	35-RH15A	4	-	-	35-RPH	49-SR	-	160-300	35
407 16,02"	76 2,99"	12 0,47"	13,56 29,89	35-RH16-1A	4	-	-	-	-	-	-	-
360 14,17"	76	-	13,60 29,98	35-5R14	6	-	-	-	-	-	-	-
387 15,24"	2,99"	-	14,50 31,97	35-5R15	6	-	-	-	-	35-RSP	-	-

Dientes de Ripper

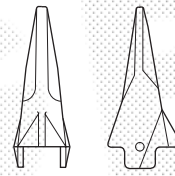
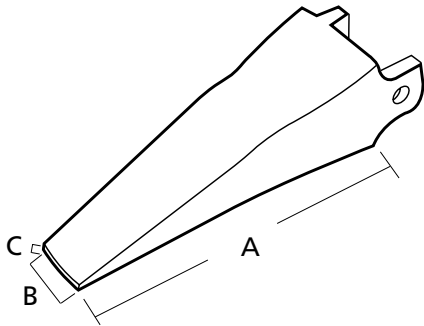


Fig. 5

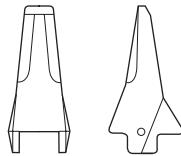
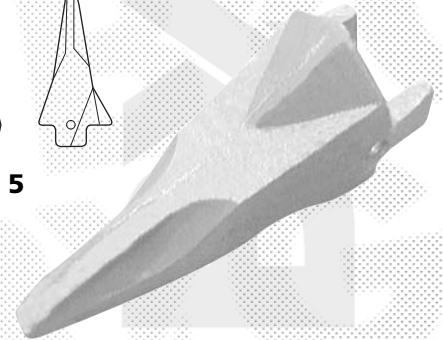


Fig. 6

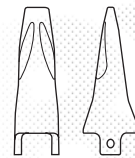


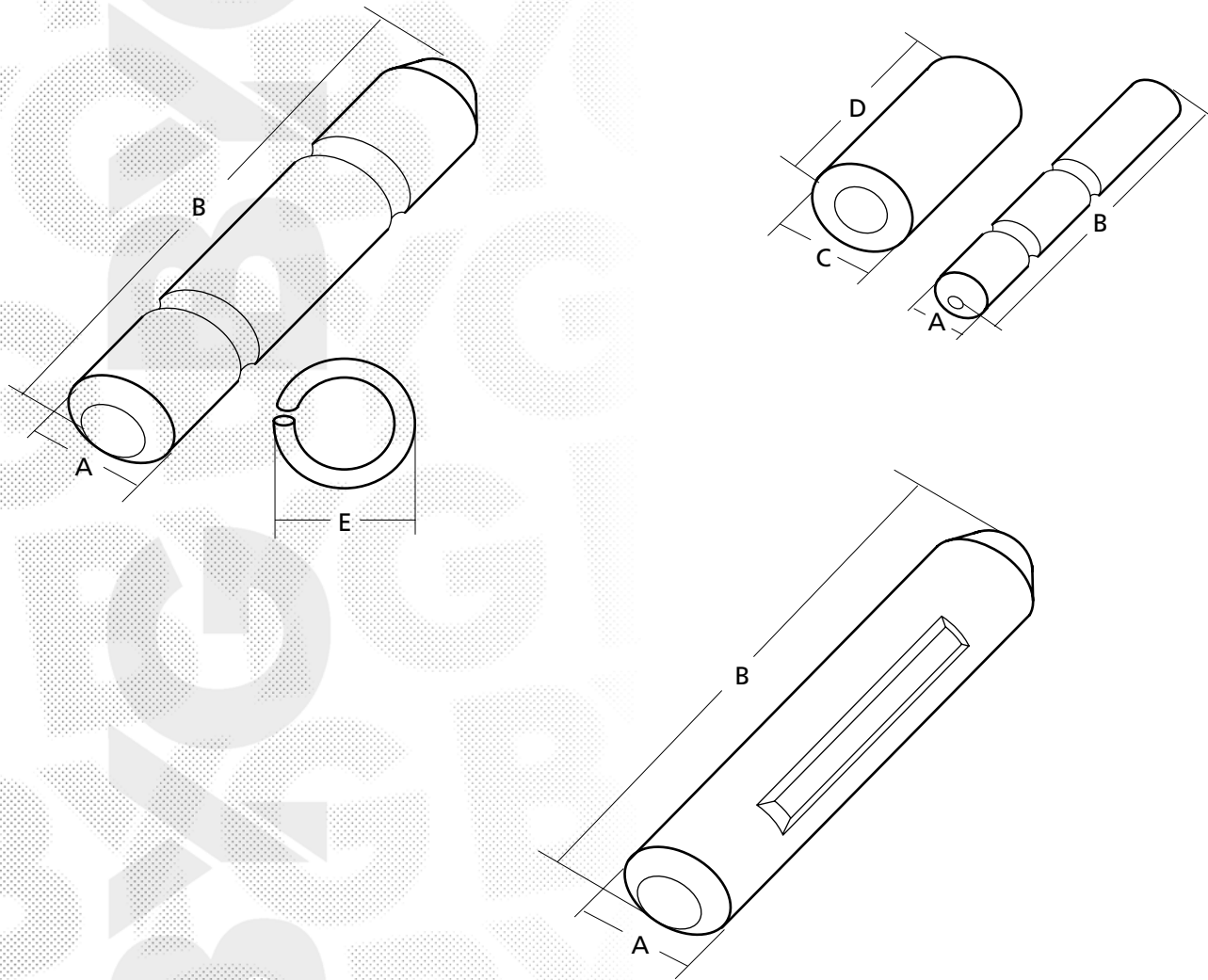
Fig. 7



mm.					Fig.						Potencia CV	
A	B	C										
406 15,98"	76 2,99"	19 0,75"	20,00 44,09	39-R16A *	4	39-RPG	39-RBG	-	-	-		
406 15,98"	76 2,99"	19 0,75"	20,00 44,09	39-RH16A *	4	-	-	49RP-39RPH	49-SR	-		
432 17,01"	76 2,99"	22 0,87"	19,50 42,99	39-R17E FE39 RZ	3	39-RPG	39-RBG	-	-	-		
432 17,01"	76 2,99"	22 0,87"	19,50 42,99	39-RH17E FE39 RZ	3	-	-	49RP-39RPH	49-SR	-	300-500	39
457 17,99"	80 3,15"	40 1,57"	24,30 53,57	39-RH18A FE39 RZ	2	-	-	-	-	-		
432 17,01"	76 2,99"	-	20,4 44,97	39-5R17A	2	-	-	-	-	39-RSP		
457 17,99"	83 3,27"	-	25,8 56,88	39-5R18A	2	-	-	-	-	-		
457 17,99"	89 3,50"	31 1,22"	29 64,15	49-R18A	2	-	-	49RP-39RPH	49-SR	-		
457 17,99"	89 3,50"	31 1,22"	31 69,00	49-5R18	6	-	-	-	-	49-RSP		
483 19,02"	38 1,50"	31 1,22"	33 72,09	49-5R19V	5	-	-	-	-	-		
508 20,00"	80 3,15"	31 1,22"	33 72,31	49-R20E	6	-	-	49RP-39RPH	49-SR	-	500-900	49
533 20,98"	38 1,50"	31 1,22"	35 76,06	49-R21V	5	-	-	-	-	-		
533 20,98"	38 1,50"	31 1,22"	35 76,94	49-5R21V	5	-	-	-	-	49-RSP		

* Estos dientes han sido sustituidos por el 39-RH17E

Pasadores y Arandelas



mm.										
A	B	C	D	E						
12,7 0,50"	82 3,23"	20,6 0,81"	56 2,20"	-	22-RPG	22-RBG	-	-	-	22
12,7 0,50"	92 3,62"	20,6 0,81"	64 2,52"	-	25-RPG	25-RBG	-	-	-	25
12,7 0,50"	130 5,12"	20,6 0,81"	84 3,31"	-	35-RPG	35-RBG	-	-	-	
22,2 0,87"	127 5,00"	-	-	32,6 1,28"	-	-	35-RPH	49-SR	-	35
19 0,75"	121 4,76"	-	-	-	-	-	-	-	35-RSP	
12,7 0,50"	140 5,51"	20,6 0,81"	84 3,31"	-	39-RPG	39-RBG	-	-	-	
22,2 0,87"	151 5,94"	-	-	32,6 1,28"	-	-	49RP-39RPH	49-SR	-	39
30 1,18"	133 5,24"	-	-	40,5 1,59"	-	-	39-SPH	39-SRH	-	
25 0,98"	127 5,00"	-	-	-	-	-	-	-	39-RSP	
29 1,14"	149 5,87"	-	-	-	-	-	-	-	49-RSP	49