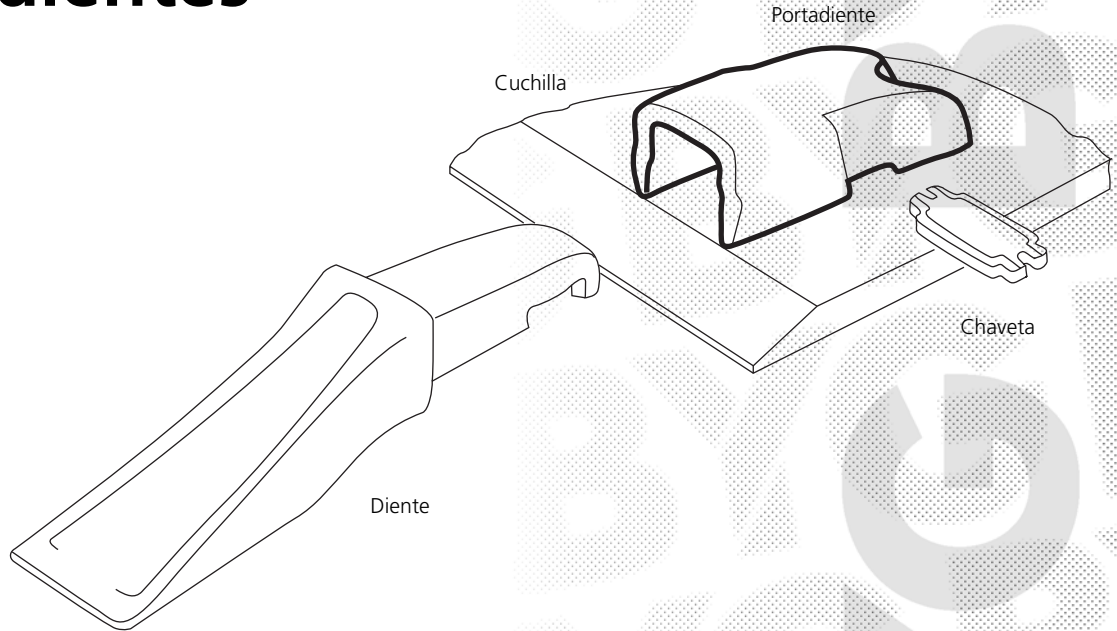


Adaptable Bofors

Portadientes

Referencia en negrita
producto disponible
Otras referencias
consúltenos.

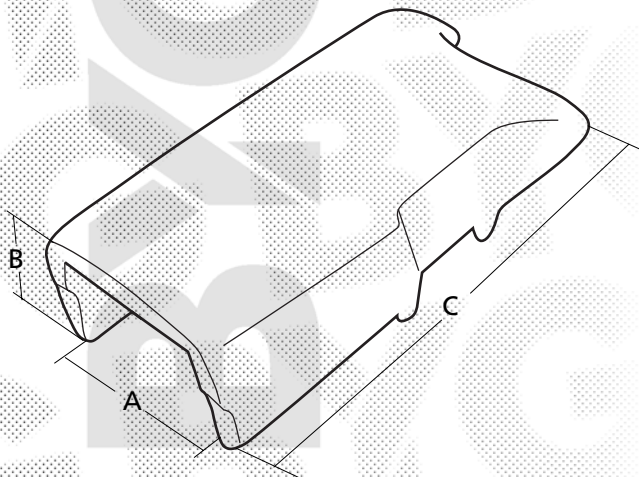


Fuerza de Arranque	Trabajo Normal	Trabajo Pesado	Trabajo Normal	Trabajo Pesado
100KN	B0	B0	B0	B0
200KN	B1	B1	B1	B1
300KN	B2	B2	B2	B2
400KN	B3	B3	B3	B3
500KN	B4	B4	B4	B5

B0	16-22 mm
B1	25-30 mm
B2	30-35 mm
B3	40-45 mm
B4	50-60 mm
B5	60-90 mm

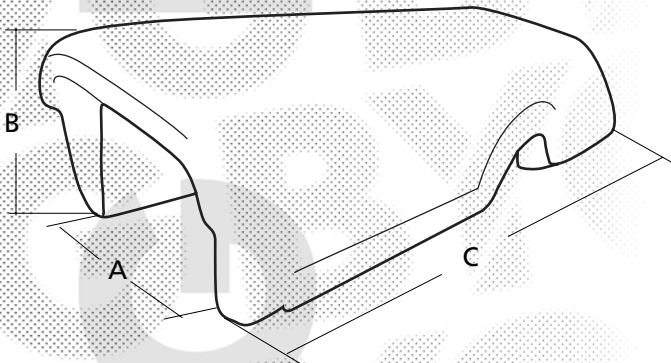
B-Lock	Lateral	Vertical	B-Lock & Vertical O&K	Atornillable	Atornillable Bivalva	
4046816 31006	4038219	-	-	300-H	-	B0
4046797 31004	4038223	4043608	3031434 31003E	400-H	-	B1
4046819 32004	4038210	130-02	3031394 32003	500-H	1040-78	B2
4046862 33004	-	3031112	3031395 33003	-	-	B3
4044339 34004	-	3031113	3031396 34003	750-H	-	B4
3031387 35003	-	3031265	3031397 35004	-	-	B5
pag 3.12	pag 3.12	pag 3.13	pag 3.13	pag 3.14	pag 3.14	

Portadientes Bofors



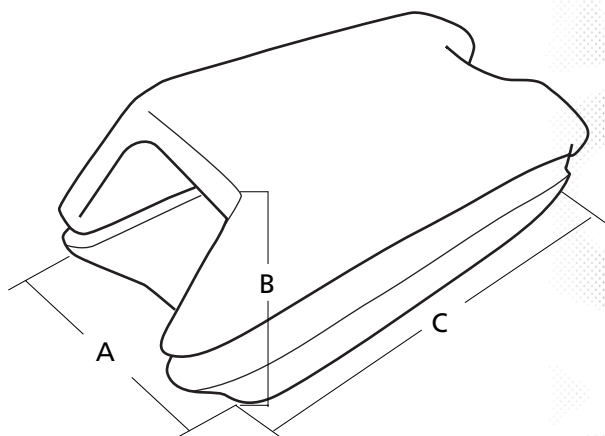
mm.									
A	B	C							
64 2,52"	50 1,97"	121 4,76"	1,00 2,20	4046816 31006	4047166	4046818	4044291	6254673	B0
77 3,03"	61 2,40"	160 6,30"	1,90 4,19	4046797 31004	4047167	4046799 4046961	4044388	6254675	B1
94 3,70"	74 2,91"	209 8,23"	3,80 8,38	4046819 32004	3031537	3032682	3031362	6254677	B2
105 4,13"	83 3,27"	216 8,50"	5,10 11,24	4046862 33004	3031539	3031354	-	6254682	B3
134 5,28"	106 4,17"	238 9,37"	8,20 18,08	4044339 34004	3031542	-	-	6254682	B4
167 6,57"	123 4,84"	300 11,81"	18,50 40,78	3031387 35003	3031386	-	-	6254679	B5

Portadientes Tipo Bofors Sistema Lateral o Tornillo



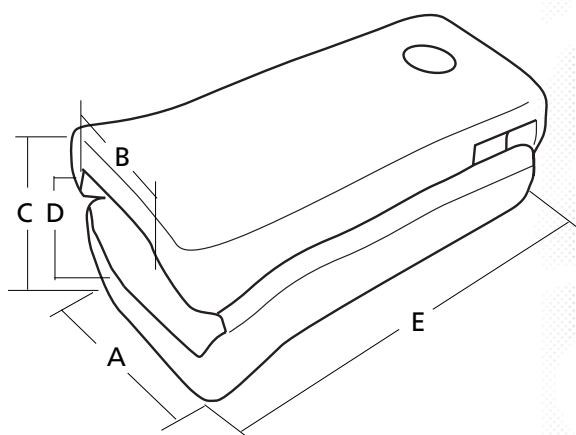
mm.								
A	B	C						
60 2,36"	46 1,81"	145 5,71"	-	4038219	4038279	M-10090	TM-010	B0
70 2,76"	52 2,05"	180 7,09"	2,50 5,51	4038223	4038208	M-10090	TM-010	B1
90 3,54"	71 2,80"	228 8,98"	4,50 9,92	4038210	3027580	M-10090	TM-010	B2

Portadientes Tipo Bofors Sistema Vertical



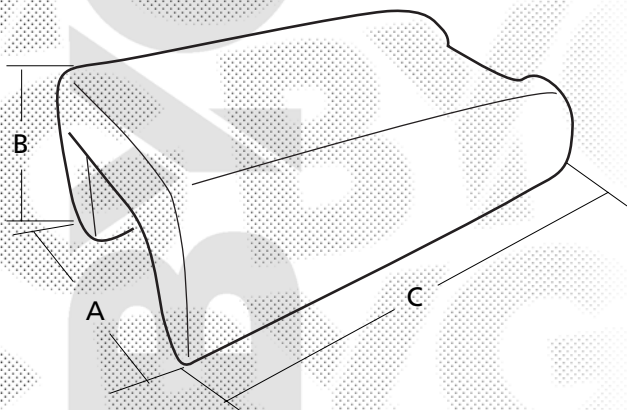
mm.			KG	Image	Image	Image	Image	Image	Image	Image
A	B	C								
80 3,15"	90 3,54"	200 7,87"	5,20 11,46	4043608	4037988	-	-	200-14-OL	B1	
82 3,23"	106 4,17"	220 8,66"	5,20 11,46	130-02	4046729	330-14	-	200-14-OL	B2	
116 4,57"	116 4,57"	240 9,45"	11,00 24,25	3031112	4046663 4038261 4038207 4038257 4038205	4046746 4046746E	-	200-18-OL	B3	
116 4,57"	134 5,28"	300 11,81"	15,40 33,95	3031113	3027689	340-20	3027538	200-18-OL	B4	
121 4,76"	145 5,71"	330 12,99"	19,10 42,11	3031265	3027512	3452038	3027524	200-18-OL	B5	

Portadientes Tipo Bofors Sistema B-Lock / Pasador Vertical O&K



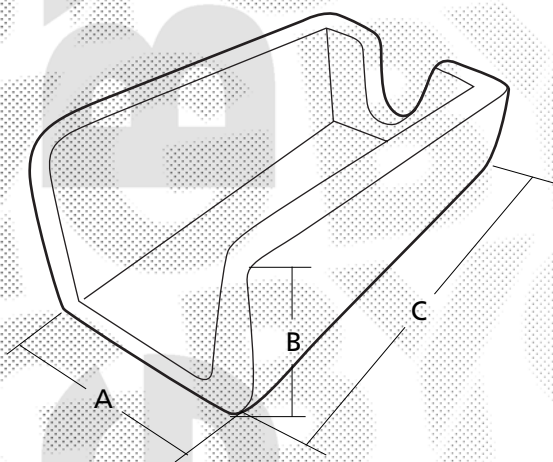
mm.					KG	Image	Image	Image	Image	Bofors		O&K		Image
A	B	C	D	E						Image	Image	Image	Image	
100 3,94"	45 1,77"	95 3,74"	45 1,77"	195 7,68"	7,00 15,43	3031434 31003E	4044336	-	6254675	BF-2073	8E-6259	B1		
116 4,57"	53 2,09"	104 4,09"	53 2,09"	230 9,06"	9,50 20,94	3031394 32003	4044428	4046911	6254677	BF-2886	8E-6359	B2		
125 4,92"	59 2,32"	110 4,33"	59 2,32"	268 10,55"	12,50 27,56	3031395 33003	3031334	3031364	6254682	BF-2886	8E-6359	B3		
140 5,51"	66 2,60"	126 4,96"	64 2,52"	300 11,81"	18,00 39,68	3031396 34003	3031335	-	6254682	BF-3097	8E-8469	B4		
155 6,10"	77 3,03"	140 5,51"	75 2,95"	318 12,52"	27,00 59,52	3031397 35004	3031336	-	6254679	BF-3097	8E-8469	B5		

Portadientes Tipo Bofors Sistema Atornillable



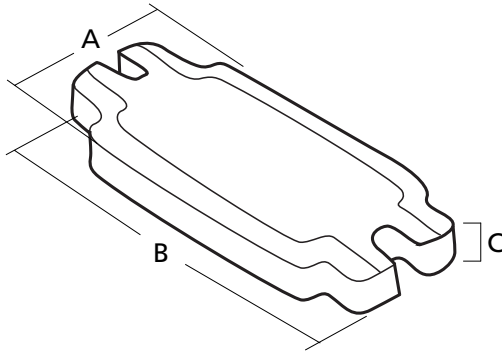
mm.										
A	B	C								
65 2,56"	48 1,89"	120 4,72"	1,25 2,76	300-H	3000-BT	3000-FN	5-ST	B0		
74 2,91"	57 2,24"	150 5,91"	1,80 3,97	400-H	4000-BT	4000-FN	10-ST	B1		
81 3,19"	68 2,68"	160 6,30"	- -	500-H	-	5000-FN	10-ST	B2		
86 3,39"	70 2,76"	185 7,28"	- -	750-H	7500-BT	7500-FN	15-ST	B4		

Portadientes Tipo Bofors Sistema Atornillable Bivalba

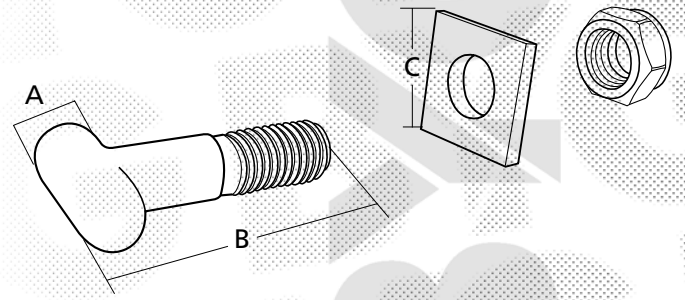


mm.									
A	B	C							
93 3,66"	50 1,97"	143 5,63"	1,60 3,53	1040-78	1040-15	M-14060	TM-014	0-214	B2

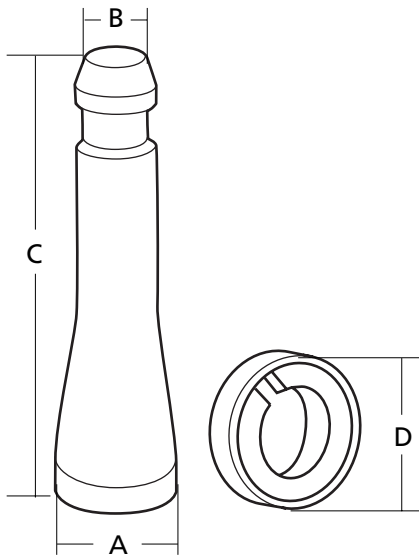
Pasadores



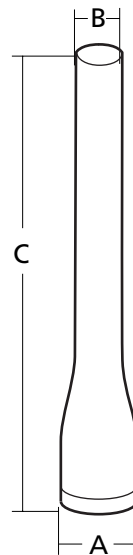
mm.				
A	B	C		
27 <i>1,06"</i>	59 <i>2,32"</i>	8 <i>0,31"</i>	0,05 <i>0,11</i>	6254673 30201
32 <i>1,26"</i>	73 <i>2,87"</i>	10 <i>0,39"</i>	0,09 <i>0,20</i>	6254675 31201
34 <i>1,34"</i>	86 <i>3,39"</i>	10 <i>0,39"</i>	0,12 <i>0,26</i>	6254677 32201
39 <i>1,54"</i>	96 <i>3,78"</i>	11 <i>0,43"</i>	0,18 <i>0,40</i>	6254682 33201
50 <i>1,97"</i>	120 <i>4,72"</i>	13 <i>0,51"</i>	0,32 <i>0,71</i>	6254679 35201
55 <i>2,17"</i>	120 <i>4,72"</i>	13 <i>0,51"</i>	0,37 <i>0,82</i>	6220086 36203



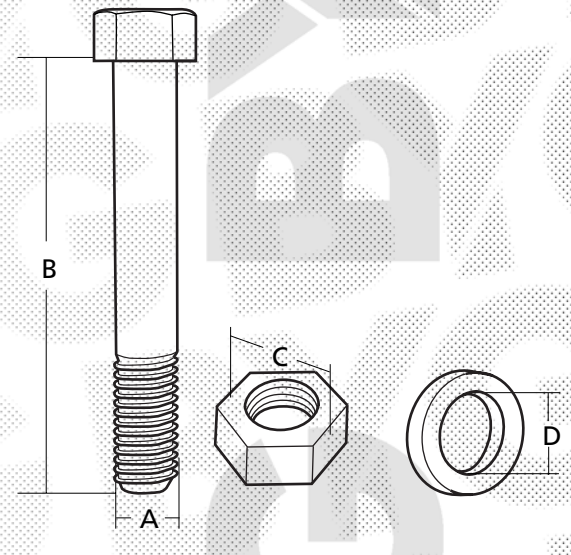
mm.				
A	B	C		
10 <i>0,39"</i>	63 <i>2,48"</i>	25 <i>0,98"</i>	5-ST	TA-010
12 <i>0,47"</i>	57 <i>2,24"</i>	25 <i>0,98"</i>	5-STE	TA-012
12 <i>0,47"</i>	74 <i>2,91"</i>	40 <i>1,57"</i>	10-ST	TA-012
12 <i>0,47"</i>	84 <i>3,31"</i>	40 <i>1,57"</i>	15-ST	TA-012
14 <i>0,55"</i>	96 <i>3,78"</i>	50 <i>1,97"</i>	20-ST	TA-014



mm.					
A	B	C	D		
20 <i>0,79"</i>	14 <i>0,55"</i>	73 <i>2,87"</i>	30 <i>1,18"</i>	BF-2073	8E-6259
28 <i>1,10"</i>	19 <i>0,75"</i>	97 <i>3,82"</i>	40 <i>1,57"</i>	BF-2886	8E-6359
30 <i>1,18"</i>	25 <i>0,98"</i>	97 <i>3,82"</i>	44 <i>1,73"</i>	BF-3097	8E-8469



mm.			
A	B	C	
19 <i>0,75"</i>	13 <i>0,51"</i>	120 <i>4,72"</i>	200-14-OL
28 <i>1,10"</i>	18 <i>0,71"</i>	150 <i>5,91"</i>	200-18-OL



mm.						
A	B	C	D			
10 <i>0,39"</i>	90 <i>3,54"</i>	17 <i>0,67"</i>	-	M-10090	TM-010	-
14 <i>0,55"</i>	60 <i>2,36"</i>	22 <i>0,87"</i>	16 <i>0,63"</i>	M-14060	TM-014	O-214