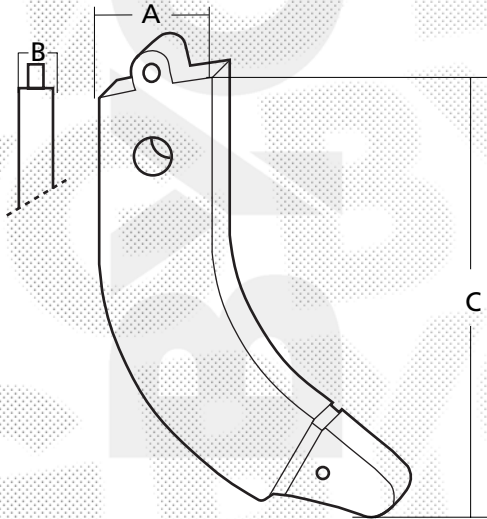
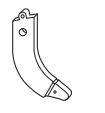
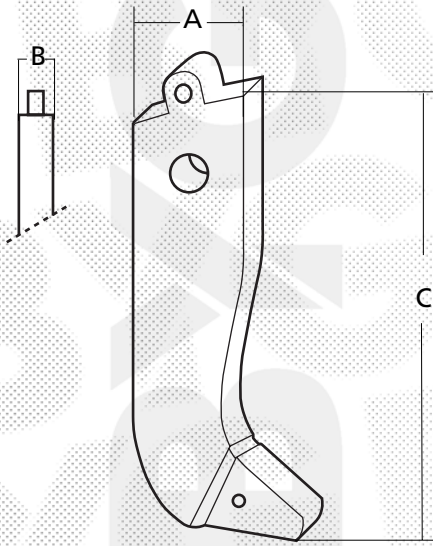


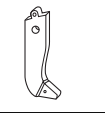
Vástagos de Ripper Pequeños: Tipo C1



		mm		
		A	B	C
943, 953	1U-1257	112 4,41"	50 1,97"	500 19,69"
D4, 941, 951, 955, 963, 12, 14, 130, 140, 143H, 160H	6Y-0865	140 5,51"	60 2,36"	478 18,82"
	9J-8913	140 5,51"	60 2,36"	508 20,00"
12, 14, 130, 140,	9J-8923	178 7,01"	75 2,95"	673 26,50"

Vástagos de Ripper Pequeños: Tipo S1

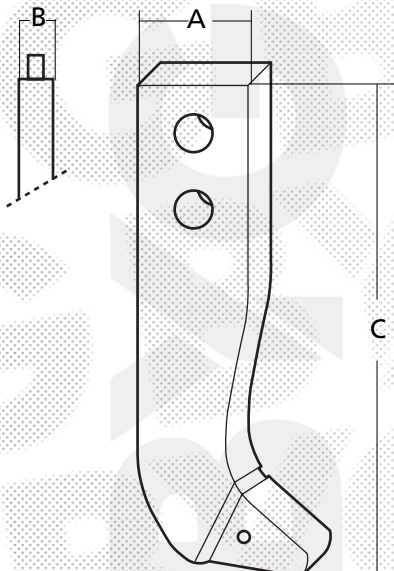


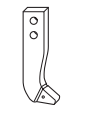
		mm		
		A	B	C
D3, 931, 933, 939, D4C, 135H, 120H	8J-5299	75 2,95"	35 1,38"	438 17,24"
D4, 941, 951, 955, 963, 12, 14, 130, 140, 143H, 160H	9J-6586	140 5,51"	60 2,36"	530 20,87"
	5K-1428*	-	-	-
16, 973, 977, D5, D6	9J-3139	176 6,93"	75 2,95"	711 27,99"
	5K-0245**	-	-	-
D7	9W-7382	229 9,02"	75 2,95"	1238 48,74"
983	7J-6671	178 7,01"	75 2,95"	672 26,46"

5K-1428* Substituible por la ref. 9J-6586 S1

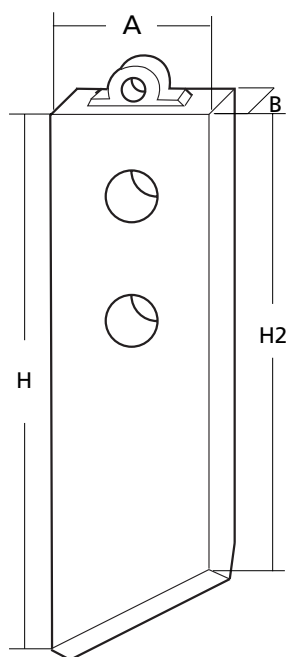
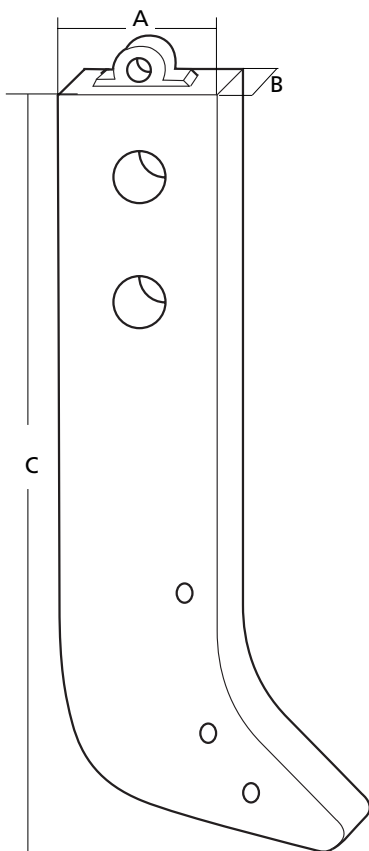
5K-0245** Substituible por la ref. 9J-3139 S1

Vástagos de Ripper Pequeños: Tipo S2



		mm		
		A	B	C
16, 973, 977, D5, D6	8J-3215	176 6,93"	75 2,95"	850 33,46"

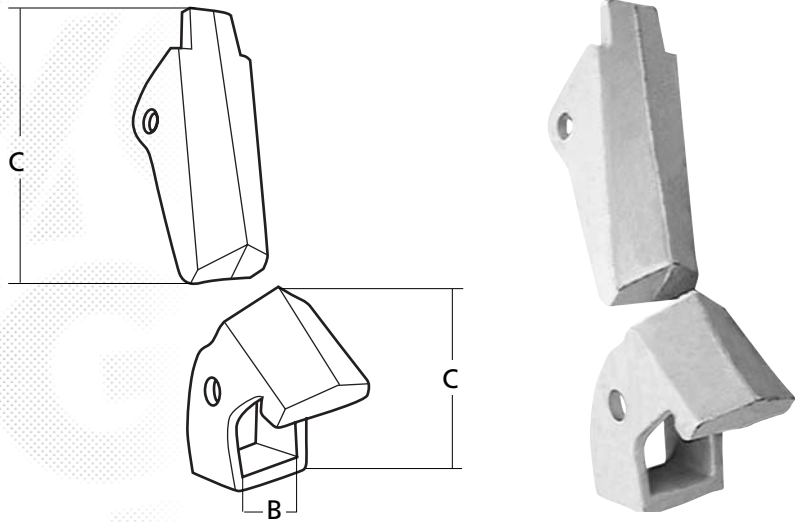
Vástagos de Ripper y Cañas de Vástagos



H2 - Según especificaciones del cliente

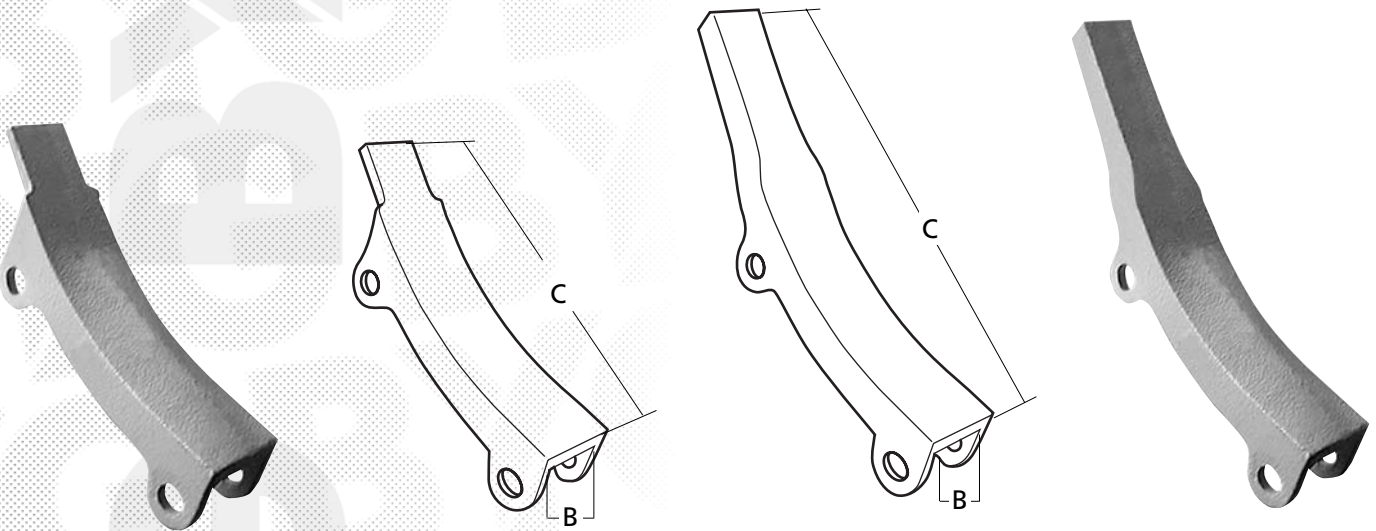
	A	B	mm				Agujeros		
			C	C"	H	H"			
D7, D8, D9	228,6 9,00"	75 2,95"	7J-2514	Z4075229****	1513	59,57"	-	-	4
			7J-2515	Z4075229****	1345	52,95"	-	-	4
			7J-2459	Z4075229****	1259	49,57"	-	-	2
D8K			7J-1795	Z40753300900	1579	62,17"	879	34,61"	2
D8K, D8N, D9N			8E-5346	Z40753301050	1610	63,39"	1010	39,76"	2
D8L			4T-0135	Z40753301350	1910	75,20"	1310	51,57"	3
D8L, D8N			4T-0134	Z40753301900	2454	96,61"	1854	72,99"	3
D8L	330,2 13,00"	75 2,95"	4T-0136	Z40753300900	1484	58,43"	884	34,80"	2
			8E-5342	Z40753301350	1910	75,20"	1310	51,57"	3
D8L, D8N			8E-5340	Z40753301900	2459	96,81"	1859	73,19"	3
D8L			8E-5341	Z40753300900	1499	59,02"	899	35,39"	2
D8N			4T-8989	Z40753301450	2016	79,37"	1416	55,75"	3
D8N, D9N			4T-8990	Z40753301050	1610	63,39"	1010	39,76"	2
D8N			8E-5347	Z40753301450	2019	79,49"	1419	55,87"	3
D9N			4T-8988	Z40753302200	2761	108,70"	2161	85,08"	3
D9H	330,2 13,00"	75 2,95"	7J-1794	Z40753301200	1758	69,21"	1158	45,59"	2
			8E-5345	Z40753301200	1763	69,41"	1163	45,79"	2
D9N	330,2 13,00"	75 2,95"	9W-6167	Z40753301750	2318	91,26"	1718	67,64"	3
			8E-5339	Z40753301750	2332	91,81"	1732	68,19"	3
			8E-5348	Z40753302200	2761	108,70"	2161	85,08"	3
D8K, D9H	355,6 14,00"	90 3,54"	7J-1792	Z40903561550	2142	84,33"	1542	60,71"	4
			7J-1793	Z40903562100	2700	106,30"	2100	82,68"	6
			107-3485	Z40903561550	2141	84,29"	1541	60,67"	4
			107-3486	Z40903562100	2700	106,30"	2100	82,68"	6
D9L			3G-2088	Z40903561750	2324	91,50"	1724	67,87"	3
D9L, D10N	355,6 14,00"	90 3,54"	9W-4427	Z40903562250	2825	111,22"	2225	87,60"	3
			9J-5954	Z40903561250	1809	71,22"	1209	47,60"	2
D9L			6Y-6138	Z40903561600	2324	91,50"	1564	61,57"	3
D9L			6Y-6144	Z40903562100	2824	111,18"	2064	81,26"	3
D9L, D10N	355,6 14,00"	90 3,54"	6Y-6141	Z40903561100	1819	71,61"	1059	41,69"	2
			8E-8415	Z40903561100	1819	71,61"	1059	41,69"	2
D9L	355,6 14,00"	90 3,54"	8E-8414	Z40903561100	2324	91,50"	1564	61,57"	3
			8E-8416	Z40903562100	2824	111,18"	2064	81,26"	3
D10N	380 14,96"	90 3,54"	9W-8366	Z40903801750	2510	98,82"	1750	68,90"	3
			6Y-6147	Z40903802100	2825	111,22"	2065	81,30"	3
			8E-8411	Z40903801750	2510	98,82"	1750	68,90"	3
			8E-8417	Z40903802250	2997	117,99"	2237	88,07"	3
D10			1V-4592	Z40004002250	2802	110,31"	2202	86,69"	4
D10, D11N			1U-4873	Z40004001400	1968	77,48"	1368	53,86"	2
D10			6Y-4679	Z40004002100	2812	110,71"	2052	80,79"	4
D10, D11N	400 15,75"	100 3,94"	6Y-5616	Z40004001250	1977	77,83"	1217	47,91"	2
D10			8E-8412	Z40004002050	2812	110,71"	2042	80,39"	4
D10, D11N			8E-8413	Z40004001250	1977	77,83"	1217	47,91"	2
D11N	450 17,72"	110 4,33"	7T-6020	Z40014501550	2733	107,60"	1533	60,35"	3
			9W-0259	Z40014502100	3292	129,61"	2092	82,36"	3
			8E-0467	Z40014501550	2730	107,48"	1530	60,24"	4
			8E-1466	Z40014501650	2825	111,22"	1625	63,98"	3
D10			<i>3G-5707</i>	<i>3G-5707</i>	-	-	-	-	-
D10, D11N			<i>3G-6507</i>	<i>3G-6507</i>	-	-	-	-	-

Protectores de Ripper



mm.	mm.		KG	Diagram 1	Diagram 2	Diagram 3	Diagram 4	Diagram 5	Diagram 6	Diagram 7
	B	C								
75 2,95"	80 3,15"	320 12,60"	10,00 22,05		-	7J-9600	-	7J-2588		
75 2,95"	80 3,15"	250 9,84"	8,40 18,52	-	7J-2351	-	6J-8811	7J-2588		

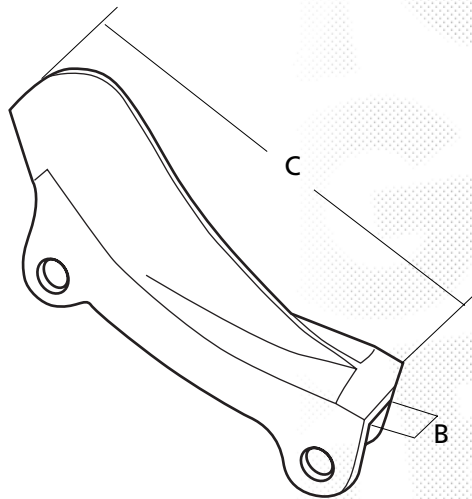
D7, D8, D9



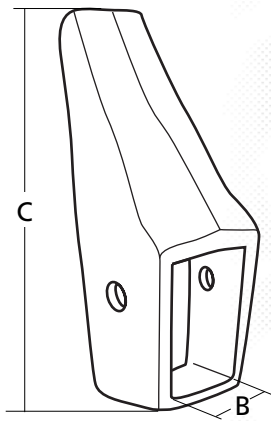
mm.	mm.		KG	Diagram 1	Diagram 2	Diagram 3	Diagram 4	Diagram 5	Diagram 6	Diagram 7	Diagram 8	Diagram 9	Diagram 10	Diagram 11
	B	C												
75 2,95"	80 3,15"	432 17,01"	14,10 31,08		-	7J-9600	-	-	6J-8811	-	-	7J-1791		
75 2,95"	80 3,15"	718 28,27"	24,50 54,01	-	132-4716	7J-9600	-	-	6J-8811	-	-	7J-1791		

D8K, D8L,
D8N, D9H,
D9N

Protectores de Ripper

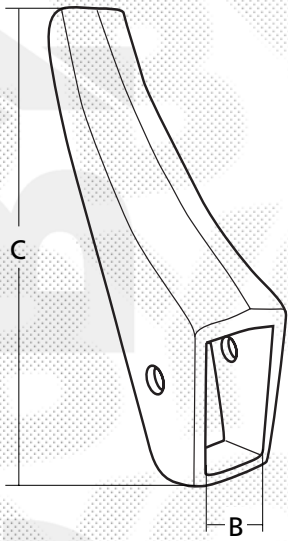


mm.		B	C										
→	←												
75	80	486	16,90	8E-1848		7J-9600	-	-	6J-8811	-	-	7J-1791	D8K, D8L, D9H, D9N
2,95"	3,15"	19,13"	37,26			-	6Y-3394	8E-4743	-	6Y-3394	8E-4743	8E-8418	



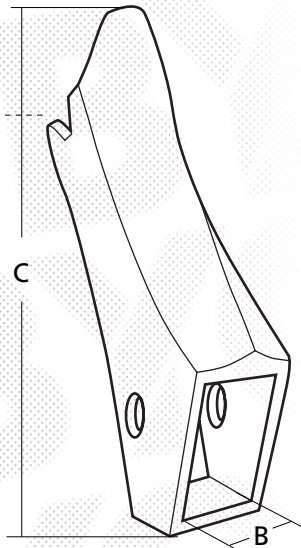
mm.		B	C					
→	←							
90	-	-	-	-	3G-9594	3G-0500	1U-3630	D10, D11, D11N
3,54"	-	-	-	-				

Protectores de Ripper



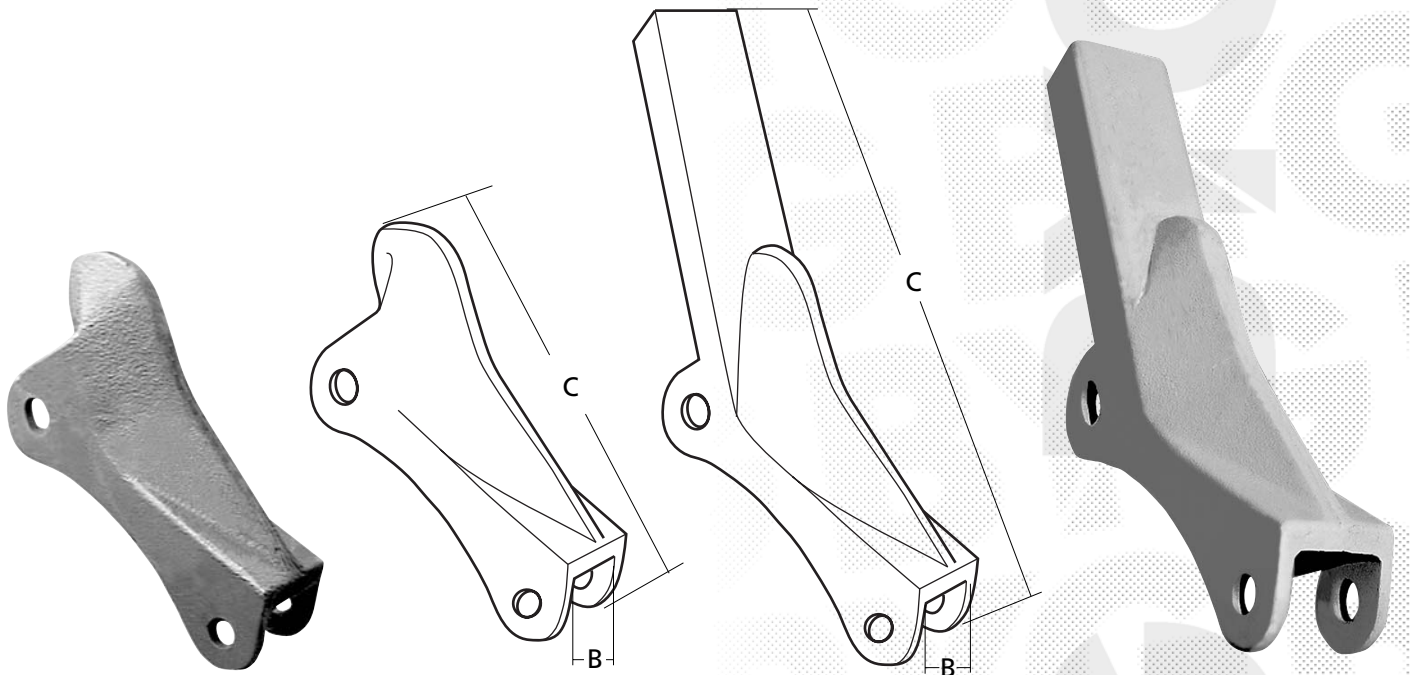
mm.		A	B	KG				
90	96	737	42,21	1U-3644	3G-0500	1U-3630	D9L, D10, D10N, D11, D11N	
3,54"	3,78"	29,02"	93,06					

Ref.
8J-4889

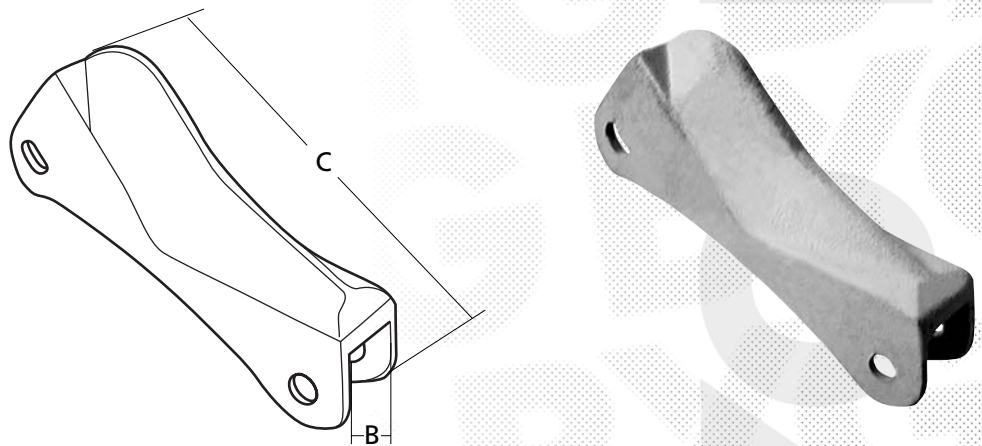


mm.		A	B	KG					
90	96	740	55,00	6Y-9704	8J-4889	3G-0500	1U-3630	D9L, D10, D10N, D11, D11N	
3,54"	3,78"	29,13"	121,25						

Protectores de Ripper



mm.		A	B	KG	Part 1	Part 2	Part 3	Part 4	Part 5	Part 6	Part 7	Part 8	Part 9	Part 10
→	←													
90	96	600	39,40	9W-8365	-	3G-0500	6Y-3909	4T-4707	3G-0500	6Y-3909	4T-4707	9W-9695	103-8115	D9L, D10N
3,54"	3,78"	23,62"	86,86											
90	96	890	58,10	-	9W-8365 EXT	3G-0500	6Y-3909	4T-4707	3G-0500	6Y-3909	4T-4707	9W-9695	103-8115	D9L, D10N
3,54"	3,78"	35,04"	128,09											
100	108	600	38,70	6Y-8960	-	3G-0500	6Y-3909	4T-4707	3G-0500	6Y-3909	4T-4707	9W-9695	103-8115	D9L, D10, D10N, D11, D11N
3,94"	4,25"	23,62"	85,32											
100	108	890	56,80	-	6Y-8960 EXT	3G-0500	6Y-3909	4T-4707	3G-0500	6Y-3909	4T-4707	9W-9695	103-8115	D9L, D10, D10N, D11, D11N
3,94"	4,25"	35,04"	125,22											



mm.		A	B	KG	Part 1	Part 2	Part 3	Part 4	Part 5	Part 6	Part 7	Part 8	Part 9	Part 10	
→	←														
110	120	740	80,20	9N-4621	9W-1821	8E-2229	8E-2230	9W-1821	8E-2229	8E-2230	6Y-9473	6Y-9473 ETX	104-9279	104-9279 ETX	D9L, D10, D10N, D11, D11N
4,33"	4,72"	29,13"	176,81												