

Adaptable Caterpillar

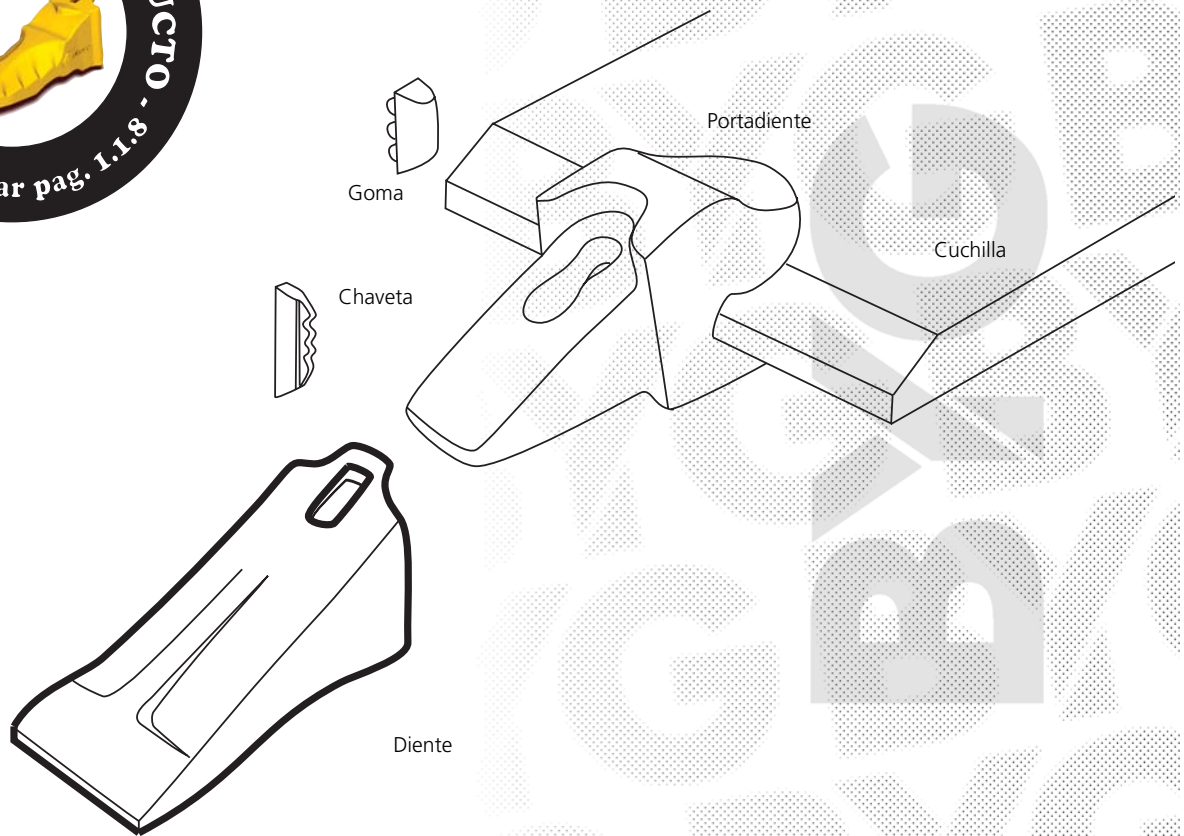
**Referencia en negrita
producto disponible**

Otras referencias
consúltenos



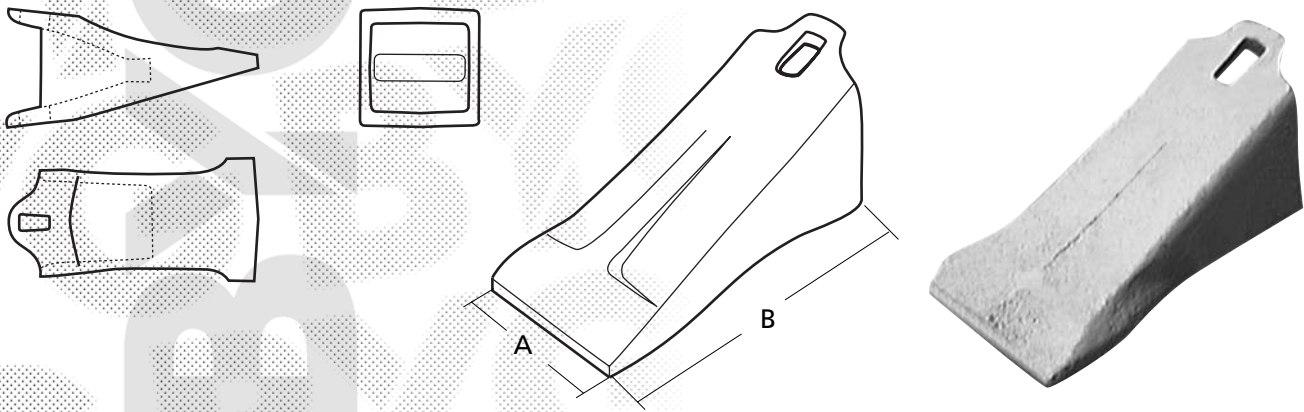
**Alternativa
Futura**

Dientes Sistema Vertical



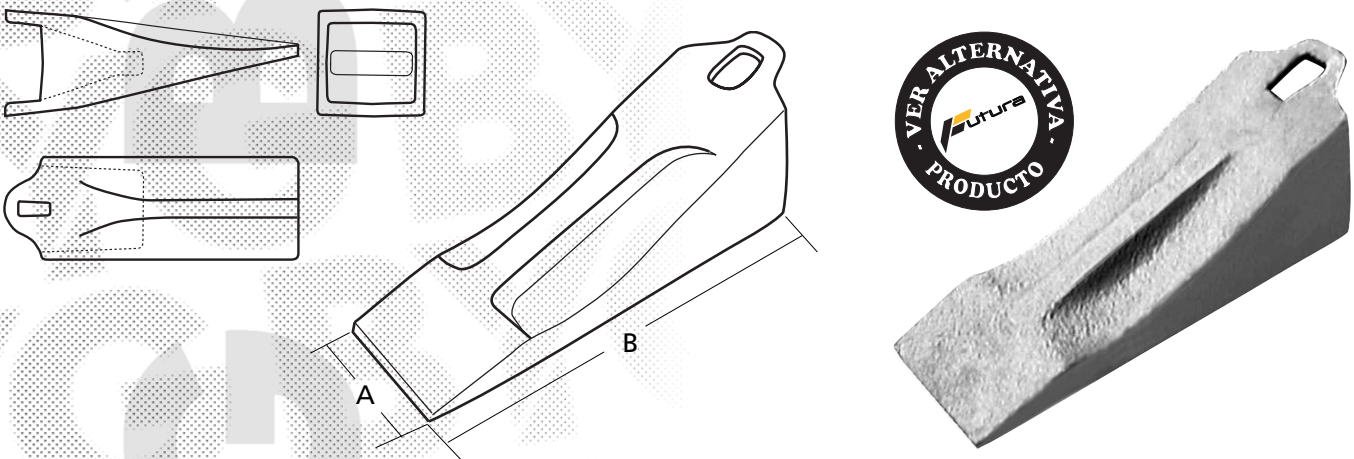
Corto	Largo	Portadiente	Portadiente Atornillable	
5K-2924	4K-6936 FC23 L	P-23 FC23 R	8J-2930 6K-3125	910, 920, 922, 931, 933, 941
5K-2925	4K-0034 FC34 L	P-18	8J-2929 6K-2563 5K-8287 6K-1965	930, 944, 950, 951, 955, 966
5K-2926	4K-6148	P-24	5K-9024 6K-1964	955, 966, 977, 980
5K-4997	4K-4962	6K-2853	6K-7850	
-	-	-	6K-7850	988, 983
Pag 2.26	Pag 2.26	Pag 2.27	Pag 2.27	

Diente Pasador Vertical Corto



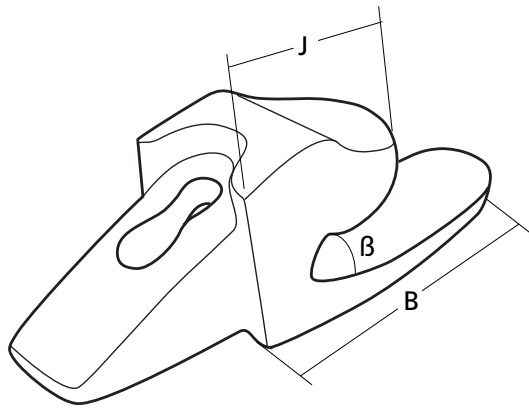
mm.		KG	Image	Image	Image	Image	Image	Image	Image
A	B								
52 2,05"	163 6,42"	1,15 2,54	5K-2924	4K-0043	4K-0041	P-23	8J-2930 6K-3125	910, 920, 922, 931, 933, 941	
66 2,60"	170 6,69"	1,47 3,24	5K-2925	4K-0043	4K-0041	P-18	8J-2929 6K-2563 5K-8287 6K-1965	930, 944, 950, 951, 955, 966	
77 3,03"	190 7,48"	2,66 5,86	5K-2926	4K-0032	4K-0008	P-24	5K-9024 6K-1964	955, 966, 977, 980	
-	-	-	5K-4997	4K-0033	4K-0006	6K-2853	6K-7850		

Diente Pasador Vertical Largo



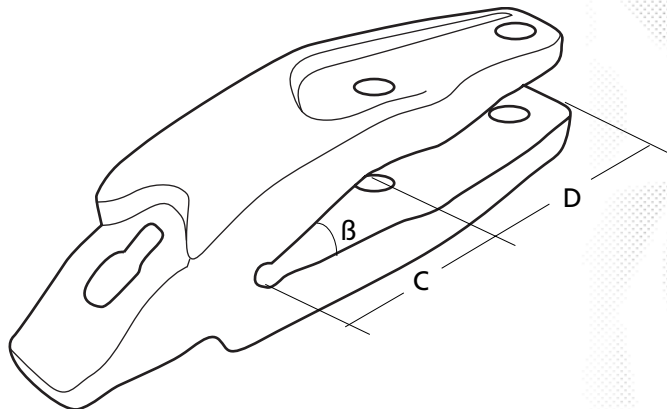
mm.		KG	Image	Image	Image	Image	Image	Image
A	B							
67 2,64"	130 5,12"	1,55 3,42	4K-6936 FC23 L	4K-0043	4K-0041	P-23	8J-2930 6K-3125	910, 920, 922, 931, 933, 941
73 2,87"	130 5,12"	2,10 4,63	4K-0034 FC34 L	4K-0043	4K-0041	P-18	8J-2929 6K-2563 5K-8287 6K-1965	930, 944, 950, 951, 955, 966
86 3,39"	156 6,14"	3,20 7,05	4K-6148	4K-0032	4K-0008	P-24	5K-9024 6K-1964	955, 966, 977, 980
90 3,54"	215 8,46"	4,30 9,48	4K-4962	4K-0033	4K-0006	6K-2853	6K-7850	

Portadiente Sistema Pasador Vertical



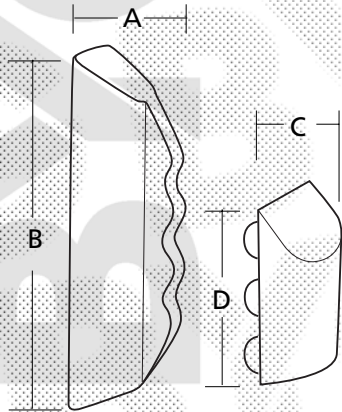
mm.										
B	J	β								
142 5,59"	55 2,17"	25°	13 - 20 0,51" - 0,79"	2,40 5,29	P-23 FC23R	4K-0043	4K-0041	5K-2924	4K-6936	910, 920, 922, 931, 933, 941
170 6,69"	55 2,17"	25°	20 - 30 0,79" - 1,18"	3,10 6,83	P-18	4K-0043	4K-0041	5K-2925	4K-0034	930, 944, 950, 951, 955, 966
230 9,06"	45 1,77"	23°	25 - 35 0,98" - 1,38"	6,15 13,56	P-24	4K-0032	4K-0008	5K-2926	4K-6148	955, 966, 977, 980
-	-	-	34 - 40 1,34" - 1,57"	-	6K-2853	4K-0033	4K-0006	5K-4997	4K-4962	



Portadiente Atornillable Pasador Vertical

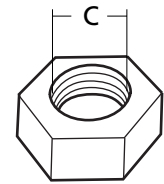
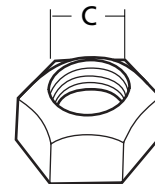
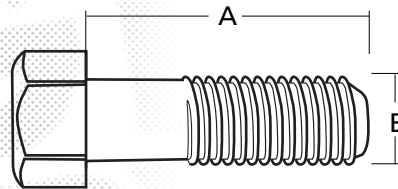
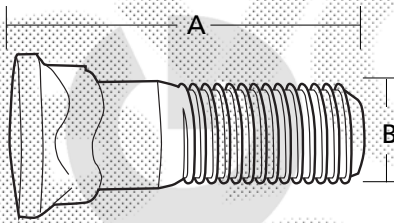


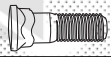

mm.														
C	D	B												
-	-	-	25	-	8J-2930			5K-2924	4K-6936	4K-0043	4K-0041	941, 930, 920		
-	-	-	20	-	6K-3125					4K-0043	4K-0041	941, 933, 922, 920, 910		
70	124	25°	25	-	8J-2929	1J-4948	-	2J-3507		5K-2925	4K-0034	4K-0043	4K-0041	955, 951, 950
-	-	-	25	-	6K-2563							4K-0043	4K-0041	951B, 950, 944, 941, 930
86	111	25°	25	-	5K-8287	-	1D-4608	2J-3506				4K-0043	4K-0041	955
102	108	25°	30	6,60 14,55	6K-1965	-	3B-2968	2J-3506				4K-0043	4K-0041	966
-	-	-	30	-	5K-9024							4K-0032	4K-0008	977
127	133	25°	35	11,60 25,57	6K-1964	-	1D-4639	2J-3507		5K-2926	4K-6148	4K-0032	4K-0008	980
127	133	21°	35	-	6K-7850	-	1D-4640	2J-3507	5K-4997	4K-4962	4K-0006	4K-0033		988, 983

Sujección



mm.					
A	B	C	D		
18	68	20,5	44	4K-0043	4K-0041
20,5	79	14	50	4K-0032	4K-0008
23,5	94	16	56	4K-0033	4K-0006



A	B	Hilos	Original	BYG ref	Original	BYG ref	C	Original	BYG ref	Original	BYG ref		
3 3/4"	1"	8		1J-4948	PB-945	-	-	1"		2J-3507	NP-100	-	-
2 1/2"	5/8"	11	4F-3656	PB-512	-	-	5/8"	4K-0367	NP-158	-	-	-	-
2 3/4"	3/4"	10	5J-4771	PB-326	-	-	3/4"	2J-3506	NP-190	-	-	-	-
4"	1"	8	8J-2928	PB-946	-	-	1"	-	-	8J-2933	NP-100 B	-	-
2 3/4"	3/4"	10	-	-	1D-4608	S-4608	3/4"	2J-3506	NP-190	-	-	-	-
3 1/2"	3/4"	10	-	-	3B-2968	S-2968				-	-	-	-
4 1/4"	1"	8	-	-	1D-4640	S-4640	1"	2J-3507	NP-100	-	-	-	-
4"	1"	8	-	-	1D-4639	S-4639B				-	-	-	-