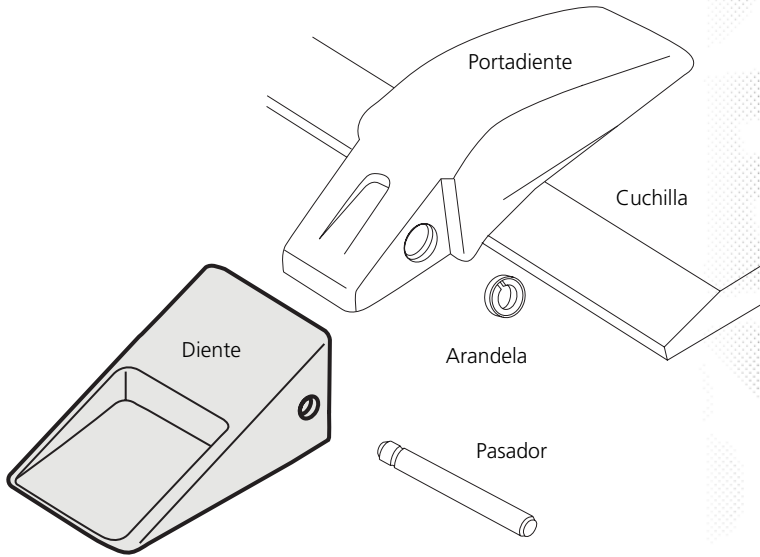


# Adaptable Caterpillar

**Referencia en negrita**  
producto disponible

Otras referencias  
consúltenos

## Dientes Pasador Lateral



### EXCAVADORA / PALA CARGADORA

Corto	Corto Autoafilante	Largo	Largo Autoafilante	Ancho	
<b>1U-3201</b>	-	<b>1U-3202</b>	<b>1U-3202 P</b>	-	<b>20</b>
-	-	<b>6Y-3222</b>	-	-	<b>22</b>
<b>1U-3251</b>	-	<b>1U-3252</b>	<b>1U-3252 P</b>	<b>3G-8250</b>	<b>25</b>
<b>1U-3301</b>	<b>1U-3301 P</b>	<b>1U-3302</b>	<b>1U-3302 P</b>	<b>4T-1300</b>	<b>30</b>
<b>1U-3351</b>	<b>1U-3351 P</b>	<b>1U-3352</b>	<b>1U-3352 P</b>	<b>8J-3350</b>	<b>35</b>
<b>7T-3401</b>	-	<b>7T-3402</b>	-	<b>7T-3400</b>	<b>40</b>
<b>9W-8451</b>	-	<b>9W-8452</b>	<b>9W-8452 P</b>	<b>8J-1450</b>	<b>46</b>
<b>9W-8551</b>	-	<b>9W-8552</b>	-	<b>7J-9550</b>	<b>55</b>
-	-	<b>6I-6602</b>	-	-	<b>60</b>
-	-	<b>4T-4702</b>	-	-	<b>70</b>
pag 2.3	pag 2.3	pag 2.4	pag 2.4	pag 2.9	

### PALA CARGADORA

Abrasión	Abrasión HD	Abrasión RP	Largo HD	Largo ARM	
<b>4T-2203</b>	-	-	-	-	<b>20</b>
<b>4T-2253</b>	<b>9N-4253</b>	<b>4T-2253 RP</b>	<b>9N-4252</b>	-	<b>25</b>
<b>4T-2303</b>	<b>9N-4303</b>	<b>4T-2303 RP</b>	<b>9N-4302</b>	<b>125-8302</b>	<b>30</b>
<b>4T-2353</b>	<b>9N-4353</b>	<b>4T-2353 RP</b>	<b>9N-4352</b>	<b>135-9352</b>	<b>35</b>
-	-	<b>7T-3403 RP</b>	-	<b>116-7402</b>	<b>40</b>
<b>9W-1453</b>	<b>9N-4453</b>	<b>9W-1453 RP</b>	<b>9N-4452</b>	<b>101-9054</b>	<b>46</b>
<b>9W-1553</b>	<b>6Y-2553</b>	<b>9W-1553 RP</b>	<b>9N-4552</b>	<b>101-9055</b>	<b>55</b>
-	<b>6I-6603</b>	<b>6I-6603 RP</b>	<b>7Y-0602</b>	<b>107-8602</b>	<b>60</b>
<b>4T-4703</b>	-	<b>4T-4703 RP</b>	-	<b>107-2001</b>	<b>70</b>
-	<b>6I-8803</b>	-	-	-	<b>80</b>
pag 2.5	pag 2.5	pag 2.6	pag 2.7	pag 2.11	

Ton.			
6,500-10,000	20-25 mm.	416, 426, 428, 910, 916,	<b>20</b>
6,500-10,000	20-25 mm.	920, 926, 933	<b>22</b>
10,000-20,000	25-32 mm.	936, 943, 950, 953, 963	<b>25</b>
20,000-23,000	32-40 mm.	966, 973, 977	<b>30</b>
25,000-63,500	38-50 mm.	980, 983, 988	<b>40</b>
			<b>46</b>
63,500-90,000	50-64 mm.	992	<b>55</b>
90000-125000	64-75 mm.	375	<b>60</b>
125,000-170,000	64-120 mm.	994	<b>70</b>
> 170,000	> 102 mm.	994	<b>80</b>

### EXCAVADORA

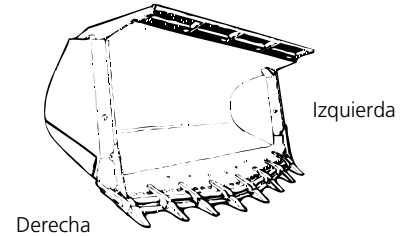
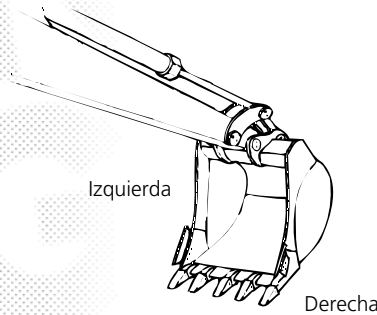
Largo SYL	Penetración	Penetración VIP	Penetración V	Rock chisel RC	Penetración ARM	
-	<b>1U-3209</b>	<b>1U-3202 TL</b>	<b>1U-3202 WTL</b>	-	-	<b>20</b>
-	<b>6Y-8229</b>	-	-	-	-	<b>22</b>
<b>1U-3252 SYL</b>	<b>9J-4259</b>	<b>1U-3252 TL</b>	<b>1U-3252 WTL</b>	-	-	<b>25</b>
<b>1U-3302 SYL</b>	<b>9J-4309</b>	<b>1U-3302 TL</b>	<b>1U-3302 WTL</b>	<b>1U-3302 RC</b>	-	<b>30</b>
<b>1U-3352 SYL</b>	<b>9J-4359</b>	<b>1U-3352 TL</b>	<b>1U-3352 WTL</b>	<b>1U-3352 RC</b>	<b>119-9359</b>	<b>35</b>
<b>8E-4402 SYL</b>	<b>6Y-7409</b>	<b>7T-3402 TL</b>	<b>7T-3402 WTL</b>	-	<b>124-7409</b>	<b>40</b>
<b>9W-8452 SYL</b>	<b>9W-8459</b>	<b>1U-3452 TL</b>	<b>1U-3452 WTL</b>	<b>1U-3452 RC</b>	<b>116-7459</b>	<b>46</b>
<b>9W-8552 SYL</b>	<b>9W-8559</b>	<b>1U-3552 TL</b>	<b>1U-3552 WTL</b>	<b>1U-3552 RC</b>	<b>113-0559</b>	<b>55</b>
-	<b>7I-7609</b>	<b>6I-6602 TL</b>	<b>6I-6602 WTL</b>	<b>6I-6602 RC</b>	<b>119-9609</b>	<b>60</b>
-	<b>4T-4709</b>	<b>4T-4702 TL</b>	-	-	-	<b>70</b>
-	<b>117-6809</b>	-	-	-	-	<b>80</b>
pag 2.6	pag 2.7	pag 2.8	pag 2.8	pag 2.9	pag 2.11	

# Dientes

## Lo que hay que saber

### Cazos para excavadora

Los lados derecha / izquierda se nombrarán vistos desde la cabina



### Cómo encontrar la talla o familia a que pertenece un diente nuevo

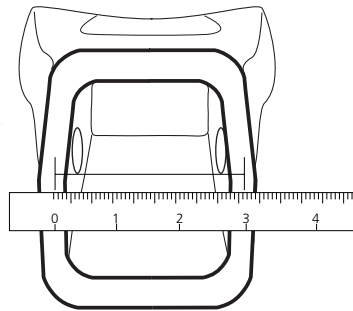
Con un metro en la parte posterior del diente se medirá de una mitad a otra de las paredes laterales.

Ejemplo

**3"** (76 mm) Corresponde a la **familia 300**

**3,5"** (89 mm) Corresponde a la **familia 350**

**5,5"** (140 mm) Corresponde a la **familia 550**



### Cómo encontrar la talla o familia a que pertenece un diente desgastado

Con un pie de rey tome cualquiera de las medidas indicadas en la *fig. 1* y compárelas con la tabla de medidas de la *fig. 2*.

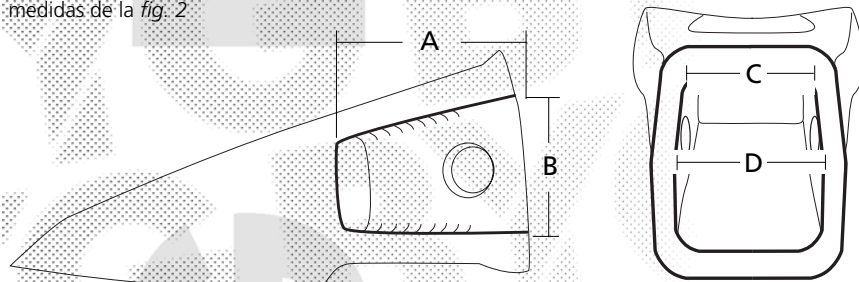


fig. 1

mm.				Familia
A	B	C	D	
62	47	36	40	<b>J200</b>
71	60	44	49	<b>J220</b>
79	68	49	55	<b>J250</b>
89	77	60	67	<b>J300</b>
102	84	68	75	<b>J350</b>
113	93	80	88	<b>J400</b>
121	99	90	98	<b>J450 / J460</b>
142	110	110	119	<b>J550</b>
170	130	131	143	<b>J600</b>
180	155	144	155	<b>J700</b>
195	170	157	171	<b>J800</b>

fig. 2

### Qué nos dice una referencia Original

El cuarto y quinto dígito describe la talla del diente.

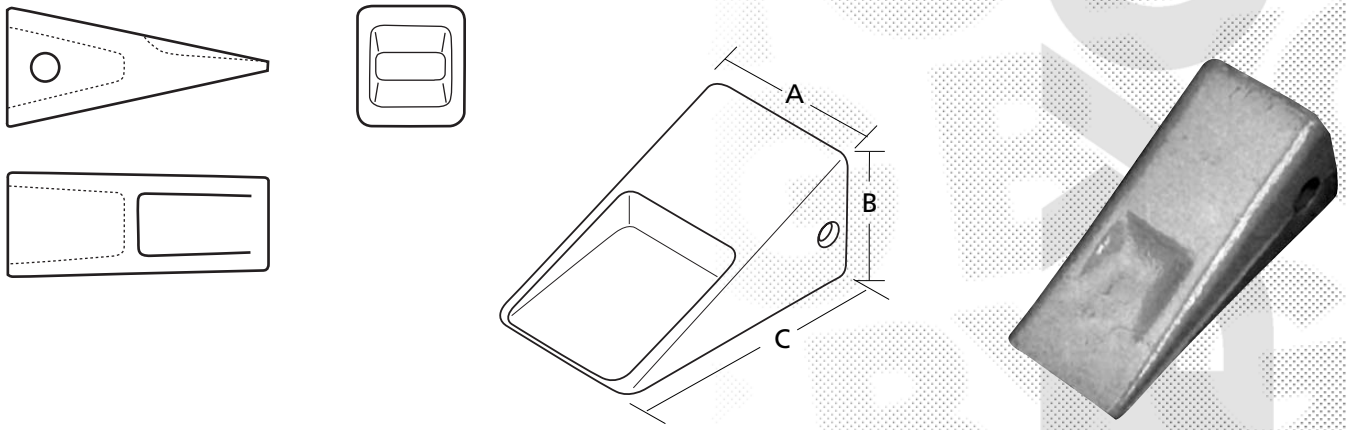
El último dígito de la referencia describe la forma de punta del diente.

Los dígitos más frecuentes son:

- 1 = Corto
- 2 = Largo
- 3 = Abrasión
- 9 = Penetración

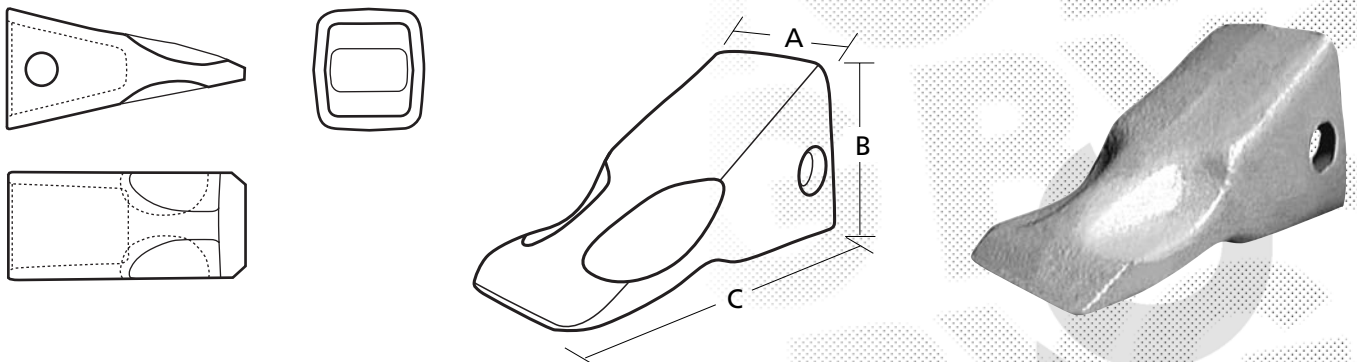
		Talla	Forma	
1	U	3	<b>25</b>	1
9	J	4	<b>30</b>	9
4	T	2	<b>35</b>	3
6	Y	7	<b>40</b>	9
9	N	4	<b>46</b>	9
9	N	4	<b>55</b>	2
7	I	7	<b>60</b>	9
4	T	4	<b>70</b>	9

### Dientes Pasador Lateral: Corto



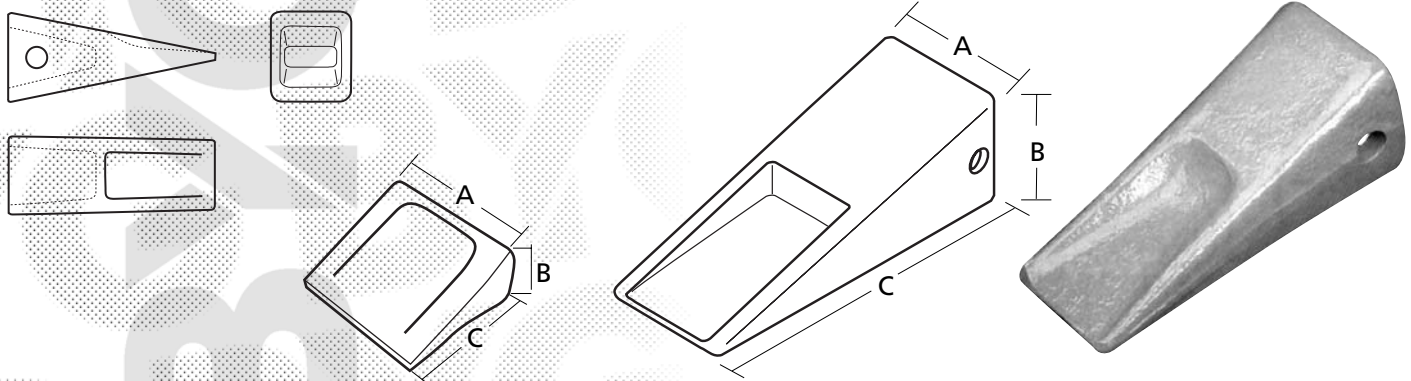
mm.			KG	Image	Image	Image	Image	Image	Image	Image	Image	Image	Image	Image
A	B	C												
60 2,36"	64 2,52"	134 5,28"	1,30 2,87	<b>1U-3201</b>	8E-6208 1U-4208	8E-6209 4T-0001	4T-1204	8J-7525	-	-	9J-4207	-	-	<b>20</b>
65 2,56"	73 2,87"	164 6,46"	2,29 5,05	<b>1U-3251</b>	8E-6258 9J-2258	8E-6259 3G-9609	1U-1254	3G-0169	-	6Y-3254	1U-0257	-	-	<b>25</b>
88 3,46"	100 3,94"	189 7,44"	4,09 9,02	<b>1U-3301</b>	107-3308 9J-2308	8E-6259 3G-9609	1U-1304	9J-8929	-	3G-6304 /05/06 8E-9490 /95/96	4T-4307 1U-0307 3G-9307	3G-5307	-	<b>30</b>
97 3,82"	105 4,13"	203 7,99"	5,60 12,35	<b>1U-3351</b>	8E-6358 9J-2358	8E-6359 3G-9549	1U-1354	1U-1350	-	6I-6354 /55/56	3G-3357 1U-1357	3G-1357 3G-2357	-	<b>35</b>
-	-	-	-	7T-3401	7T-3408	8E-8409	-	-	-	6I-6404 /05/06	-	-	-	<b>40</b>
132 5,20"	126 4,96"	266 10,47"	11,50 25,35	<b>9W-8451</b> 1U-3451	8E-0468	8E-8469	8E-0464	-	114-0464 /65/66	6I-6464 /65/66 6I-6465 RH/66 LH	-	-	-	<b>46</b>
153 6,02"	146 5,75"	290 11,42"	18,05 39,79	<b>9W-8551</b> 1U-3551	6Y-8558 1U-1558	8E-5559 3G-9559	7J-9554	-	107-3554 /55/56	6I-6554 /55/56 6I-6555 RH/56 LH	-	-	-	<b>55</b>

### Dientes Pasador Lateral: Autoafilante Corto



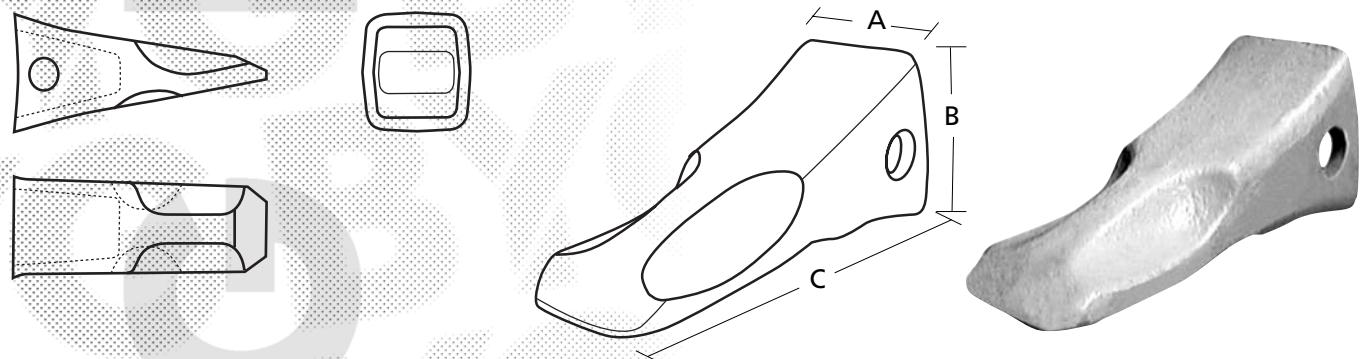
mm.			KG	Image	Image	Image	Image	Image	Image	Image	Image	Image	Image	Image
A	B	C												
85 3,35"	101 3,98"	185 7,28"	3,35 7,39	<b>1U-3301 P</b>	107-3308 9J-2308	8E-6259 3G-9609	1U-1304	9J-8929	-	8E-9490 /95/96 3G-6304 /05/06	4T-4307 1U-0307 3G-9307	3G-5307	-	<b>30</b>
96 3,78"	107 4,21"	203 7,99"	4,50 9,92	<b>1U-3351 P</b>	9J-2358	8E-6359 3G-9549	1U-1354	1U-1350	-	6I-6354 /55/56	3G-3357 1U-1357	3G-1357 3G-2357	-	<b>35</b>

### Dientes Pasador Lateral: Largo



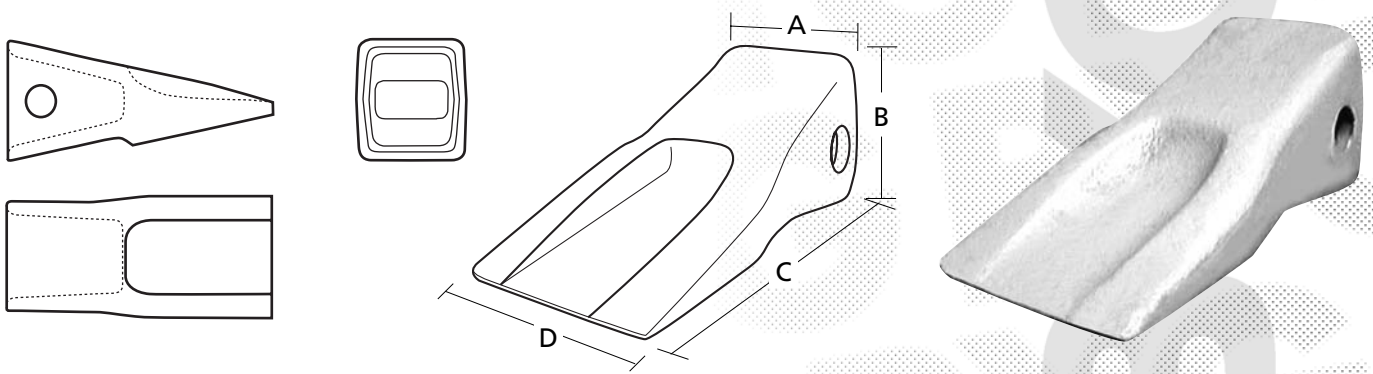
mm.			KG lb	Image	Image	Image	Image	Image	Image	Image	Image	Image	Image	Image	Image	Image
A	B	C														
61 2,40"	64 2,52"	145 5,71"	1,40 3,09	<b>1U-3202</b>	8E-6208 1U-4208	8E-6209 4T-0001	-	4T-1204	8J-7525	-	-	9J-4207	-	<b>20</b>		
61 2,40"	74 2,91"	168 6,61"	2,10 4,63	<b>6Y-3222</b>	6Y-3228	8E-6259 3G-9609	-	-	-	-	6Y-3224	-	-	<b>22</b>		
73 2,87"	89 3,50"	198 7,80"	2,90 6,39	<b>1U-3252</b>	8E-6258 9J-2258	8E-6259 3G-9609	-	1U-1254	3G-0169	-	6Y-3254	1U-0257	-	<b>25</b>		
84 3,31"	100 3,94"	215 8,46"	4,10 9,04	<b>1U-3302</b>	107-3308 9J-2308	8E-6259 3G-9609	-	1U-1304	9J-8929	-	3G-6304 /05/06 8E-9490 /95/96	4T-4307 1U-0307 3G-9307	3G-5307	<b>30</b>		
100 3,94"	108 4,25"	240 9,45"	6,40 14,11	<b>1U-3352</b>	8E-6358 9J-2358	8E-6359 3G-9549	-	1U-1354	1U-1350	-	6I-6354 /55/56	3G-3357 1U-1357	3G-1357 3G-2357	<b>35</b>		
116 4,57"	124 4,88"	263 10,35"	9,50 20,94	<b>7T-3402</b>	7T-3408	8E-8409	-	-	-	-	6I-6404 /05/06	-	-	<b>40</b>		
124 4,88"	130 5,12"	293 11,54"	12,30 27,12	<b>9W-8452</b>	8E-0468	8E-8469	-	8E-0464	-	114-0464 /65/66	6I-6464 /65/66 6I-6465 RH/66 LH	-	-	<b>46</b>		
146 5,75"	148 5,83"	338 13,31"	19,00 41,89	<b>9W-8552</b>	6Y-8558 1U-1558	8E-5559 3G-9559	-	7J-9554	-	107-3554 /55/56	6I-6554 /55/56 6I-6555 RH/56 LH	-	-	<b>55</b>		
142 5,59"	70 2,76"	142 5,59"	5,24 11,55	-	<b>9W-8552 PS</b>		-	-	-	-	-	-	-			
180 7,09"	190 7,48"	410 16,14"	30,40 67,02	<b>6I-6602</b>	6I-6608	6I-6609	-	-	-	119-8604/05/06	6I-6604 /05/06 6I-6605 RH/06 LH	-	-	<b>60</b>		
180 7,09"	200 7,87"	415 16,34"	37,30 82,23	<b>4T-4702</b>	4T-4708	4T-4707	-	-	-	133-0704 /05/06 100-7416 /RH/LH	-	-	-	<b>70</b>		

### Dientes Pasador Lateral: Autoafilante Largo



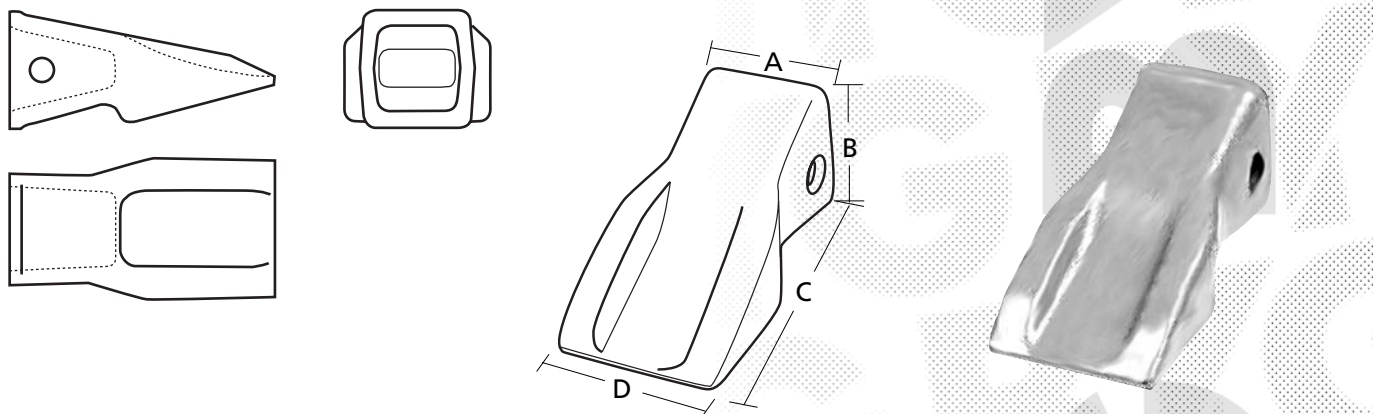
mm.			KG lb	Image	Image	Image	Image	Image	Image	Image	Image	Image	Image	Image	Image
A	B	C													
60 2,36"	68 2,68"	141 5,55"	1,43 3,15	<b>1U-3202 P</b>	8E-6208 1U-4208	8E-6209 4T-0001	4T-1204	8J-7525	-	-	9J-4207	-	<b>20</b>		
74 2,91"	88 3,46"	192 7,56"	3,15 6,94	<b>1U-3252 P</b>	8E-6258	8E-6259 3G-9609	1U-1254	3G-0169	-	6Y-3254	1U-0257	-	<b>25</b>		
85 3,35"	101 3,98"	215 8,46"	3,80 8,38	<b>1U-3302 P</b>	107-3308 9J-2308	8E-6259 3G-9609	1U-1304	9J-8929	-	3G-6304 /05/06 8E-9490 /95/96	4T-4307 1U-0307 3G-9307	3G-5307	<b>30</b>		
95 3,74"	106 4,17"	235 9,25"	5,00 11,02	<b>1U-3352 P</b>	8E-6358 9J-2358	8E-6359 3G-9549	1U-1354	1U-1350	-	6I-6354 /55/56	3G-3357 1U-1357	3G-1357 3G-2357	<b>35</b>		
125 4,92"	133 5,24"	288 11,34"	11,20 24,69	<b>9W-8452 P</b>	8E-0468	8E-8469	8E-0464	-	114-0464 /65/66	6I-6464 /65/66 6I-6465 RH/66 LH	-	-	<b>46</b>		

**Dientes Pasador Lateral: Abrasión**



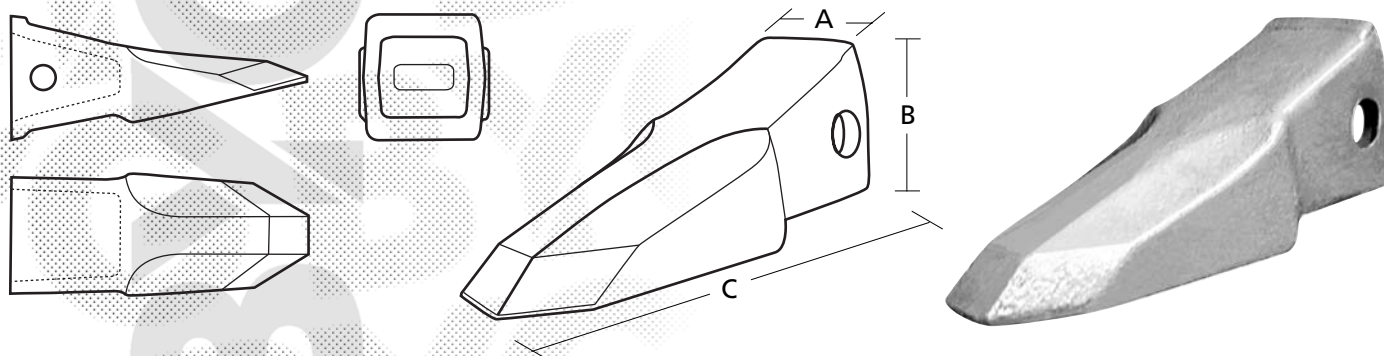
mm.				KG	Image	Image	Image	Image	Image	Image	Image	Image	Image	Image	Image	Image	
A	B	C	D														
61 2,40"	64 2,52"	146 5,75"	64 2,52"	1,23 2,71	<b>4T-2203</b>	8E-6208 1U-4208	8E-6209 4T-0001	4T-1204	8J-7525	-	-	9J-4207	-	-	-	-	<b>20</b>
75 2,95"	86 3,39"	194 7,64"	83 3,27"	4,20 9,26	<b>4T-2253</b>	8E-6258 9J-2258	8E-6259 3G-9609	1U-1254	3G-0169	-	6Y-3254	1U-0257	-	-	-	-	<b>25</b>
90 3,54"	99 3,90"	221 8,70"	101 3,98"	5,20 11,46	<b>4T-2303</b>	107-3308 9J-2308	8E-6259 3G-9609	1U-1304	9J-8929	-	3G-6304 /05/06 8E-9490 /95/96	4T-4307 1U-0307 3G-9307	3G-5307	-	-	-	<b>30</b>
98 3,86"	108 4,25"	236 9,29"	109 4,29"	8,00 17,64	<b>4T-2353</b>	8E-6358 9J-2358	8E-6359 3G-9549	1U-1354	1U-1350	-	6I-6354 /55/56	3G-3357 1U-1357	3G-1357 3G-2357	-	-	-	<b>35</b>
126 4,96"	130 5,12"	293 11,54"	137 5,39"	15,40 33,95	<b>9W-1453</b>	8E-0468	8E-8469	8E-0464	-	114-0464 /65/66	6I-6464 /65/66 6I-6465 RH/66 LH	-	-	-	-	-	<b>46</b>
155 6,10"	153 6,02"	334 13,15"	176 6,93"	22,40 49,38	<b>9W-1553</b>	6Y-8558 1U-1558	8E-5559 3G-9559	7J-9554	-	107-3554 /55/56	6I-6554 /55/56 6I-6555 RH/56 LH	-	-	-	-	-	<b>55</b>
203 7,99"	215 8,46"	417 16,42"	228 8,98"	49,00 108,02	<b>4T-4703</b>	4T-4708	4T4707	-	-	133-0704 /05/06 100-7416 /RH/LH	-	-	-	-	-	-	<b>70</b>

**Dientes Pasador Lateral: Abrasión HD**



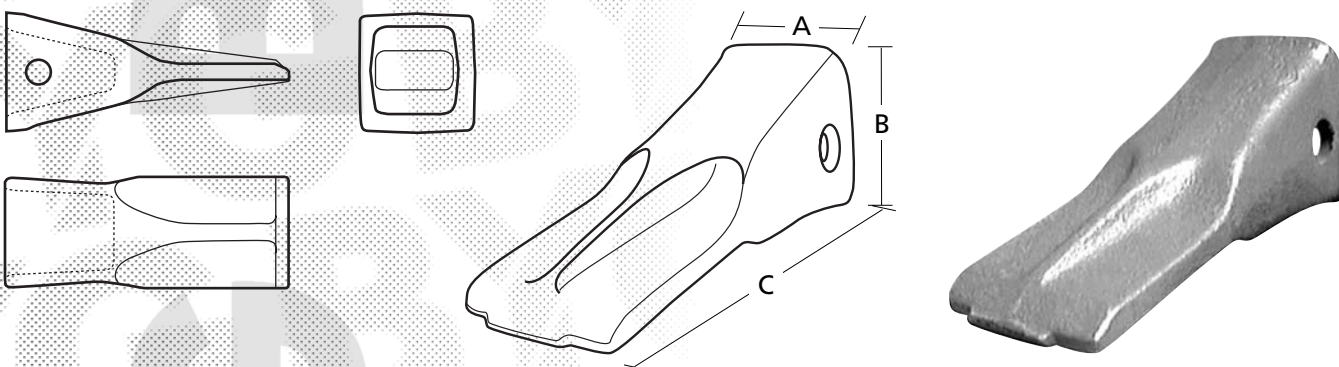
mm.				KG	Image	Image	Image	Image	Image	Image	Image	Image	Image	Image	Image	Image	
A	B	C	D														
79 3,11"	94 3,70"	201 7,91"	91 3,58"	5,10 11,24	<b>9N-4253</b>	8E-6258 9J-2258	8E-6259 3G-9609	1U-1254	3G-0169	-	6Y-3254	1U-0257	-	-	-	-	<b>25</b>
84 3,31"	102 4,02"	226 8,90"	107 4,21"	7,68 16,93	<b>9N-4303</b>	107-3308 9J-2308	8E-6259 3G-9609	1U-1304	9J-8929	-	3G-6304 /05/06 8E-9490 /95/96	4T-4307 1U-0307 3G-9307	3G-5307	-	-	-	<b>30</b>
102 4,02"	115 4,53"	254 10,00"	122 4,80"	11,80 26,01	<b>9N-4353</b>	8E-6358 9J-2358	8E-6359 3G-9549	1U-1354	1U-1350	-	6I-6354 /55/56	3G-3357 1U-1357	3G-1357 3G-2357	-	-	-	<b>35</b>
133 5,24"	142 5,59"	310 12,20"	166 6,54"	21,80 48,06	<b>9N-4453</b>	8E-0468	8E-8469	8E-0464	-	114-0464 /65/66	6I-6464 /65/66 6I-6465 RH/66 LH	-	-	-	-	-	<b>46</b>
160 6,30"	160 6,30"	346 13,62"	190 7,48"	31,20 68,78	<b>6Y-2553</b>	6Y-8558 1U-1558	8E-5559 3G-9559	7J-9554	-	107-3554 /55/56	6I-6554 /55/56 6I-6555 RH/56 LH	-	-	-	-	-	<b>55</b>
-	-	-	-	-	<b>6I-6603</b>	6I-6608	6I-6609	-	-	119-8604/05/06	6I-6604 /05/06 6I-6605 RH/06 LH	-	-	-	-	-	<b>60</b>
244 9,61"	240 9,45"	474 18,66"	292 11,50"	102,50 225,97	<b>6I-8803</b>	134-1808	134-1809	-	-	6I-8804	-	-	-	-	-	-	<b>80</b>

## Dientes Pasador Lateral: Penetración Roca



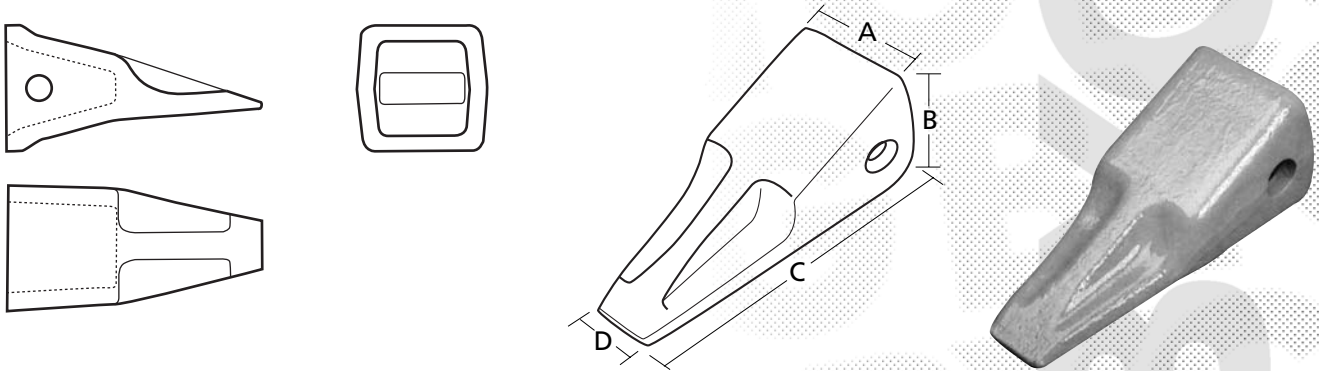
mm.			KG	Image 1	Image 2	Image 3	Image 4	Image 5	Image 6	Image 7	Image 8	Image 9	Image 10	Image 11	Image 12	Image 13	
A	B	C															
76 2,99"	93 3,66"	231 9,09"	5,20 11,46	<b>4T-2253 RP</b>	8E-6258 9J-2258	8E-6259 3G-9609	1U-1254	3G-0169	-	6Y-3254	1U-0257	-	-	-	-	-	<b>25</b>
89 3,50"	110 4,33"	258 10,16"	7,80 17,20	<b>4T-2303 RP</b>	107-3308 9J-2308	8E-6259 3G-9609	1U-1304	9J-8929	-	3G-6304 /05/06 8E-9490 /95/96	4T-4307 1U-0307 3G-9307	3G-5307	-	-	-	-	<b>30</b>
102 4,02"	108 4,25"	290 11,42"	10,70 23,59	<b>4T-2353 RP</b>	8E-6358 9J-2358	8E-6359 3G-9549	1U-1354	1U-1350	-	6I-6354 /55/56	3G-3357 1U-1357	3G-1357 3G-2357	-	-	-	-	<b>35</b>
119 4,69"	129 5,08"	320 12,60"	13,60 29,98	<b>7T-3403 RP</b>	7T-3408	8E-8409	-	-	-	6I-6404 /05/06	-	-	-	-	-	-	<b>40</b>
137 5,39"	148 5,83"	354 13,94"	21,70 47,84	<b>9W-1453 RP</b>	8E-0468	8E-8469	8E-0464	-	114-0464 /65/66	6I-6464 /65/66 6I-6465 RH/66 LH	-	-	-	-	-	-	<b>46</b>
160 6,30"	156 6,14"	367 14,45"	26,33 58,05	<b>9W-1553 RP</b>	6Y-8558 1U-1558	8E-5559 3G-9559	7J-9554	-	107-3554 /55/56	6I-6554 /55/56 6I-6555 RH/56 LH	-	-	-	-	-	-	<b>55</b>
197 7,76"	186 7,32"	451 17,76"	44,00 97,00	<b>6I-6603 RP</b>	6I-6608	6I-6609	-	-	119-8604/05/06	6I-6604 /05/06 6I-6605 RH/06 LH	-	-	-	-	-	-	<b>60</b>
200 7,87"	214 8,43"	496 19,53"	56,00 123,46	<b>4T-4703 RP</b>	4T-4708	4T4707	-	-	133-0704 /05/06 100-7416 /RH/LH	-	-	-	-	-	-	-	<b>70</b>

## Dientes Pasador Lateral: Tipo Esco SYL



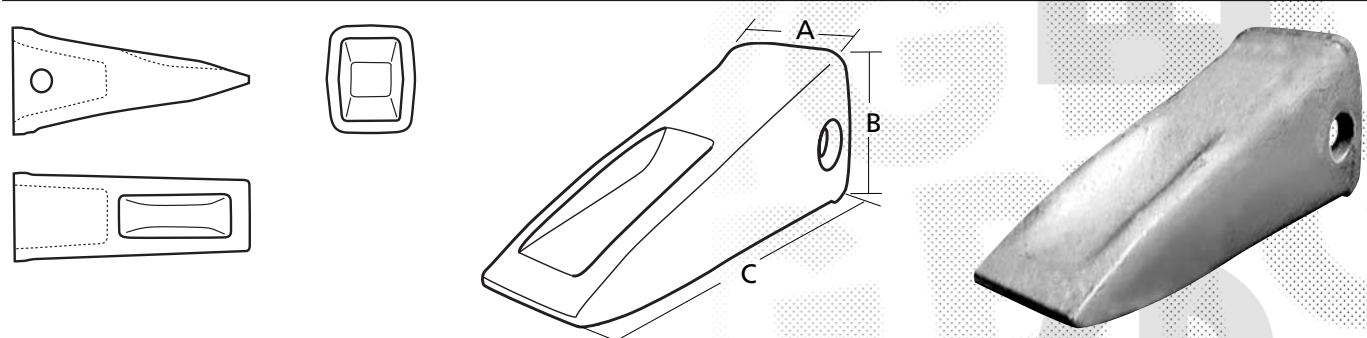
mm.			KG	Image 1	Image 2	Image 3	Image 4	Image 5	Image 6	Image 7	Image 8	Image 9	Image 10	Image 11	Image 12	Image 13	
A	B	C															
74 2,91"	90 3,54"	210 8,27"	3,25 7,16	<b>1U-3252 SYL</b>	8E-6258 9J-2258	8E-6259 3G-9609	1U-1254	3G-0169	-	6Y-3254	1U-0257	-	-	-	-	-	<b>25</b>
92 3,62"	104 4,09"	230 9,06"	4,40 9,70	<b>1U-3302 SYL</b>	107-3308 9J-2308	8E-6259 3G-9609	1U-1304	9J-8929	-	3G-6304 /05/06 8E-9490 /95/96	4T-4307 1U-0307 3G-9307	3G-5307	-	-	-	-	<b>30</b>
100 3,94"	115 4,53"	265 10,43"	6,70 14,77	<b>1U-3352 SYL</b>	8E-6358 9J-2358	8E-6359 3G-9549	1U-1354	1U-1350	-	6I-6354 /55/56	3G-3357 1U-1357	3G-1357 3G-2357	-	-	-	-	<b>35</b>
125 4,92"	134 5,28"	306 12,05"	13,00 28,66	<b>8E-4402 SYL</b>	7T-3408	8E-8409	-	-	-	6I-6404 /05/06	-	-	-	-	-	-	<b>40</b>
130 5,12"	143 5,63"	321 12,64"	13,50 29,76	<b>9W-8452 SYL</b>	8E-0468	8E-8469	8E-0464	-	114-0464 /65/66	6I-6464 /65/66 6I-6465 RH/66 LH	-	-	-	-	-	-	<b>46</b>
157 6,18"	154 6,06"	368 14,49"	21,20 46,74	<b>9W-8552 SYL</b>	6Y-8558 1U-1558	8E-5559 3G-9559	7J-9554	-	107-3554 /55/56	6I-6554 /55/56 6I-6555 RH/56 LH	-	-	-	-	-	-	<b>55</b>

### Dientes Pasador Lateral: Penetración



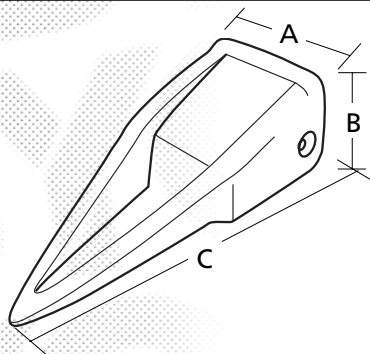
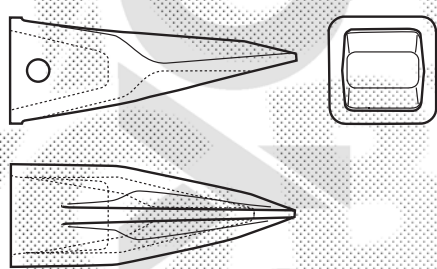
mm.				KG											mm
A	B	C	D												
56 2,20"	61 2,40"	146 5,75"	26 1,02"	1,00 2,20	<b>1U-3209</b>	8E-6208 1U-4208	8E-6209 4T-0001	4T-1204	8I-7525	-	-	9J-4207	-	-	<b>20</b>
62 2,44"	75 2,95"	168 6,61"	29 1,14"	2,10 4,63	6Y-8229	6Y-3228	8E-6259 3G-9609	-	-	-	6Y-3224	-	-	-	<b>22</b>
76 2,99"	87 3,43"	195 7,68"	32 1,26"	2,40 5,29	<b>9J-4259</b>	8E-6258 9J-2258	8E-6259 3G-9609	1U-1254	3G-0169	-	6Y-3254	1U-0257	-	-	<b>25</b>
89 3,50"	104 4,09"	219 8,62"	37 1,46"	3,60 7,94	<b>9J-4309</b>	107-3308 9J-2308	8E-6259 3G-9609	1U-1304	9J-8929	-	3G-6304 /05/06 8E-9490 /95/96	4T-4307 1U-0307 3G-9307	3G-5307	-	<b>30</b>
102 4,02"	112 4,41"	245 9,65"	46 1,81"	5,50 12,13	<b>9J-4359</b>	8E-6358 9J-2358	8E-6359 3G-9549	1U-1354	1U-1350	-	6I-6354 /55/56	3G-3357 1U-1357	3G-1357 3G-2357	-	<b>35</b>
118 4,65"	127 5,00"	267 10,51"	54 2,13"	8,40 18,52	<b>6Y-7409</b>	7T-3408	8E-8409	-	-	-	6I-6404 /05/06	-	-	-	<b>40</b>
128 5,04"	137 5,39"	292 11,50"	51 2,01"	10,50 23,15	<b>9W-8459</b> 9J4459	8E-0468	8E-8469	8E-0464	-	114-0464 /65/66	6I-6464 /65/66 6I-6465 RH/66 LH	-	-	-	<b>46</b>
150 5,91"	142 5,59"	333 13,11"	61 2,40"	14,60 32,19	<b>9W-8559</b> 9J4559	6Y-8558 1U-1558	8E-5559 3G-9559	7J-9554	-	107-3554 /55/56	6I-6554 /55/56 6I-6555 RH/56 LH	-	-	-	<b>55</b>
190 7,48"	183 7,20"	380 14,96"	84 3,31"	26,70 58,86	<b>7I-7609</b>	6I-6608	6I-6609	-	-	119-8604/05/06	6I-6604 /05/06 6I-6605 RH/06 LH	-	-	-	<b>60</b>
209 8,23"	216 8,50"	317 12,48"	83 3,27"	39,00 85,98	<b>4T-4709</b>	4T-4708	4T4707	-	-	133-0704 /05/06 100-7416 /RH/LH	-	-	-	-	<b>70</b>
236 9,29"	239 9,41"	456 17,95"	105 4,13"	52,00 114,64	<b>117-6809</b>	134-1808	134-1809	-	-	6I-8804	-	-	-	-	<b>80</b>

### Dientes Pasador Lateral: Largo HD



mm.			KG											mm
A	B	C												
76 2,99"	93 3,66"	202 7,95"	3,90 8,60	<b>9N-4252</b>	8E-6258 9J-2258	8E-6259 3G-9609	1U-1254	3G-0169	-	-	6Y-3254	1U-0257	-	<b>25</b>
91 3,58"	105 4,13"	221 8,70"	5,90 13,01	<b>9N-4302</b>	107-3308 9J-2308	8E-6259 3G-9609	1U-1304	9J-8929	-	3G-6304 /05/06 8E-9490 /95/96	4T-4307 1U-0307 3G-9307	3G-5307	-	<b>30</b>
100 3,94"	117 4,61"	255 10,04"	8,80 19,40	<b>9N-4352</b>	8E-6358 9J-2358	8E-6359 3G-9549	1U-1354	1U-1350	-	6I-6354 /55/56	3G-3357 1U-1357	3G-1357 3G-2357	-	<b>35</b>
278 10,94"	130 5,12"	119 4,69"	12,00 26,46	<b>8E-4402</b>	7T-3408	8E-8409	-	-	-	-	6I-6404 /05/06	-	-	<b>40</b>
134 5,28"	141 5,55"	316 12,44"	16,37 36,09	<b>9N-4452</b>	8E-0468	8E-8469	8E-0464	-	114-0464 /65/66	6I-6464 /65/66 6I-6465 RH/66 LH	-	-	-	<b>46</b>
159 6,26"	160 6,30"	370 14,57"	24,60 54,23	<b>9N-4552</b>	6Y-8558 1U-1558	8E-5559 3G-9559	7J-9554	-	107-3554 /55/56	6I-6554 /55/56 6I-6555 RH/56 LH	-	-	-	<b>55</b>
195 7,68"	189 7,44"	410 16,14"	40,80 89,95	<b>7Y-0602</b>	6I-6608	6I-6609	-	-	119-8604 /05/06	6I-6604 /05/06 6I-6605 RH/06 LH	-	-	-	<b>60</b>

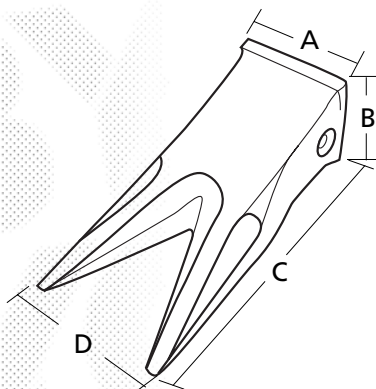
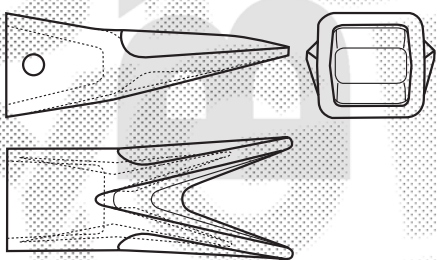
## Dientes Pasador Lateral: Afilado Largo



Vista posterior

mm.			KG	Icon	Icon	Icon	Icon	Icon	Icon	Icon	Icon	Icon	Icon
A	B	C											
55 2,17"	58 2,28"	160 6,30"	1,20 2,65	<b>1U-3202 TL</b>	8E-6208 1U-4208	8E-6209 4T-0001	4T-1204	8J-7525	-	-	9J-4207	-	<b>20</b>
76 2,99"	89 3,50"	215 8,46"	2,60 5,73	<b>1U-3252 TL</b> 9W-8259	8E-6258 9J-2258	8E-6259 3G-9609	1U-1254	3G-0169	-	6Y-3254	1U-0257	-	<b>25</b>
86 3,39"	105 4,13"	241 9,49"	4,40 9,70	<b>1U-3302 TL</b> 9W-8309	107-3308 9J-2308	8E-6259 3G-9609	1U-1304	9J-8929	-	3G-6304 /05/06 8E-9490 /95/96	4T-4307 1U-0307 3G-9307	3G-5307	<b>30</b>
99 3,90"	108 4,25"	286 11,26"	6,20 13,67	<b>1U-3352 TL</b> 9W-8359	8E-6358 9J-2358	8E-6359 3G-9549	1U-1354	1U-1350	-	6I-6354 /55/56	3G-3357 1U-1357	3G-1357 3G-2357	<b>35</b>
115 4,53"	129 5,08"	325 12,80"	10,00 22,05	<b>7T-3402 TL</b> 6Y-5409	7T-3408	8E-8409	-	-	-	6I-6404 /05/06	-	-	<b>40</b>
134 5,28"	134 5,28"	353 13,90"	13,40 29,54	<b>1U-3452 TL</b> 7T-8459	8E-0468	8E-8469	8E-0464	-	114-0464 /65/66	6I-6464 /65/66 6I-6465 RH/66 LH	-	-	<b>46</b>
154 6,06"	149 5,87"	380 14,96"	16,60 36,60	<b>1U-3552 TL</b> 9W-6559	6Y-8558 1U-1558	8E-5559 3G-9559	7J-9554	-	107-3554 /55/56	6I-6554 /55/56 6I-6555 RH/56 LH	-	-	<b>55</b>
170 6,69"	184 7,24"	457 17,99"	33,90 74,74	<b>6I-6602 TL</b> 107-8609	6I-6608	6I-6609	-	-	119-8604 /05/06	6I-6604 /05/06 6I-6605 RH/06 LH	-	-	<b>60</b>
200 7,87"	215 8,46"	505 19,88"	37,20 82,01	<b>4T-4702 TL</b>	4T-4708	4T4707	-	-	133-0704 /05/06 100-7416 /RH/LH	-	-	-	<b>70</b>

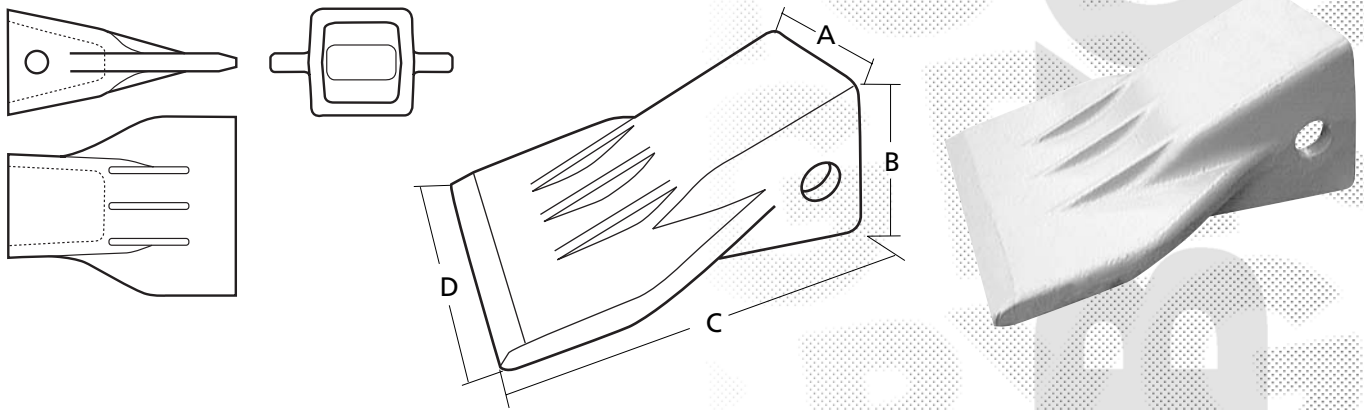
## Dientes Pasador Lateral: Afilado Doble Punta



mm.				KG	Icon	Icon	Icon	Icon	Icon	Icon	Icon	Icon	Icon	
A	B	C	D											
55 2,17"	58 2,28"	155 6,10"	75 2,95"	1,30 2,87	<b>1U-3202 WTL</b>	8E-6208 1U-4208	8E-6209 4T-0001	4T-1204	8J-7525	-	-	9J-4207	-	<b>20</b>
79 3,11"	90,5 3,56"	215 8,46"	90 3,54"	2,60 5,73	<b>1U-3252 TL</b> 135-8258	8E-6258 9J-2258	8E-6259 3G-9609	1U-1254	3G-0169	-	6Y-3254	1U-0257	-	<b>25</b>
85 3,35"	104 4,09"	242 9,53"	104 4,09"	4,40 9,70	<b>1U-3302 TL</b> 135-9308	107-3308 9J-2308	8E-6259 3G-9609	1U-1304	9J-8929	-	3G-6304 /05/06 8E-9490 /95/96	4T-4307 1U-0307 3G-9307	3G-5307	<b>30</b>
100 3,94"	108 4,25"	287 11,30"	122 4,80"	6,20 13,67	<b>1U-3352 TL</b> 135-9357	8E-6358 9J-2358	8E-6359 3G-9549	1U-1354	1U-1350	-	6I-6354 /55/56	3G-3357 1U-1357	3G-1357 3G-2357	<b>35</b>
115 4,53"	129 5,08"	320 12,60"	141 5,55"	10,00 22,05	<b>7T-3402 TL</b>	7T-3408	8E-8409	-	-	-	6I-6404 /05/06	-	-	<b>40</b>
133 5,24"	134 5,28"	354 13,94"	158 6,22"	13,40 29,54	<b>1U-3452 TL</b> 138-6458	8E-0468	8E-8469	8E-0464	-	114-0464 /65/66	6I-6464 /65/66 6I-6465 RH/66 LH	-	-	<b>46</b>
154 6,06"	148 5,83"	377 14,84"	183 7,20"	16,60 36,60	<b>1U-3552 TL</b> 138-6558	6Y-8558 1U-1558	8E-5559 3G-9559	7J-9554	-	107-3554 /55/56	6I-6554 /55/56 6I-6555 RH/56 LH	-	-	<b>55</b>
196 7,72"	185 7,28"	462 18,19"	235 9,25"	33,90 74,74	<b>6I-6602 TL</b>	6I-6608	6I-6609	-	-	119-8604 /05/06	6I-6604 /05/06 6I-6605 RH/06 LH	-	-	<b>60</b>

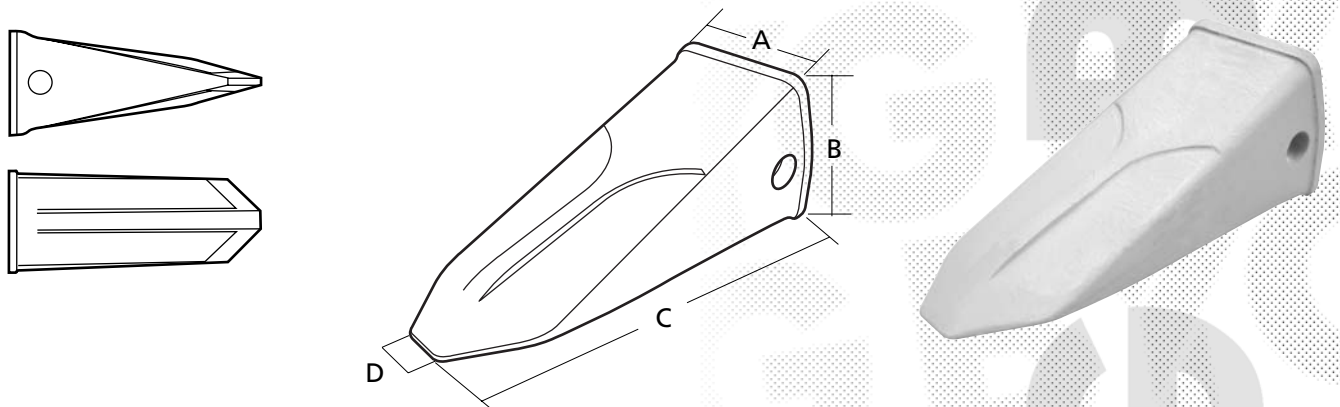


### Dientes Pasador Lateral: Ancho



mm.				KG	Image	Image	Image	Image	Image	Image	Image	Image	Image	Image	Image	Image
A	B	C	D													
73 2,87"	86 3,39"	196 7,72"	113 4,45"	3,20 7,05	<b>3G-8250</b>	8E-6258 9J-2258	8E-6259 3G-9609	1U-1254	3G-0169	-	6Y-3254	1U-0257	-	-	-	<b>25</b>
-	-	-	-	-	4T-1300	107-3308 9J-2308	8E-6259 3G-9609	1U-1304	9J-8929	-	3G-6304 /05/06 8E-9490 /95/96	4T-4307 1U-0307 3G-9307	3G-5307	-	-	<b>30</b>
-	-	-	-	-	8J-3350	8E-6358 9J-2358	8E-6359 3G-9549	1U-1354	1U-1350	-	6I-6354 /55/56	3G-3357 1U-1357	3G-1357 3G-2357	-	-	<b>35</b>
-	-	-	-	-	7T-3400	7T-3408	8E-8409	-	-	-	6I-6404 /05/06	-	-	-	-	<b>40</b>
134 5,28"	134 5,28"	285 11,22"	230 9,06"	14,60 32,19	<b>8J-1450</b>	8E-0468	8E-8469	8E-0464	-	114-0464 /65/66	6I-6464 /65/66 6I-6465 RH/66 LH	-	-	-	-	<b>46</b>
-	-	-	-	-	7J-9550	6Y-8558 1U-1558	8E-5559 3G-9559	7J-9554	-	107-3554 /55/56	6I-6554 /55/56 6I-6555 RH/56 LH	-	-	-	-	<b>55</b>

### Dientes Pasador Lateral: Rock Chisel RC



mm.				KG	Image	Image	Image	Image	Image	Image	Image	Image	Image	Image	Image	Image
A	B	C	D													
85 3,35"	101 3,98"	150 5,91"	30 1,18"	5,18 11,42	<b>1U-3302 RC</b>	107-3308 9J-2308	8E-6259 3G-9609	1U-1304	9J-8929	-	3G-6304 /05/06 8E-9490 /95/96	4T-4307 1U-0307 3G-9307	3G-5307	-	-	<b>30</b>
95 3,74"	105 4,13"	280 11,02"	35 1,38"	7,90 17,42	<b>1U-3352 RC</b>	8E-6358 9J-2358	8E-6359 3G-9549	1U-1354	1U-1350	-	6I-6354 /55/56	3G-3357 1U-1357	3G-1357 3G-2357	-	-	<b>35</b>
130 5,12"	135 5,31"	345 13,58"	35 1,38"	14,20 31,31	<b>1U-3452 RC</b>	8E-0468	8E-8469	8E-0464	-	114-0464 /65/66	6I-6464 /65/66 6I-6465 RH/66 LH	-	-	-	-	<b>46</b>
150 5,91"	150 5,91"	390 15,35"	50 1,97"	23,30 51,37	<b>1U-3552 RC</b>	6Y-8558 1U-1558	8E-5559 3G-9559	7J-9554	-	107-3554 /55/56	6I-6554 /55/56 6I-6555 RH/56 LH	-	-	-	-	<b>55</b>
190 7,48"	160 6,30"	480 18,90"	75 2,95"	39,50 87,08	<b>6I-6602 RC</b>	6I-6608	6I-6609	-	-	119-8604/05/06	6I-6604 /05/06 6I-6605 RH/06 LH	-	-	-	-	<b>60</b>

# ARM

## Material Resistente a la Abrasión

### ¿Qué es el ARM?

El ARM (Material Resistente a la Abrasión) es un recubrimiento hecho de **partículas de Tungsteno altamente resistentes** (nótese que el tungsteno ofrece más dureza que el cuarzo y el topacio). El material ARM funciona formando un **escudo protector** sobre las zonas más susceptibles al desgaste de dientes y cuchillas.

El recubrimiento ARM **puede aplicarse a la práctica totalidad de piezas de desgaste que BYG distribuye y fabrica**, así como a cuchillas y cantoneras. Este recubrimiento de tungsteno está recomendado para aplicaciones donde la arena, gravilla y otros materiales abrasivos desgastan rápidamente las piezas, acortando su vida útil.

### Economía

Una pieza recubierta de ARM tiene una **duración media de 3 a 5 veces mayor que una pieza no recubierta**. El precio de una pieza recubierta de ARM es menos del doble que el de una pieza sin recubrir, lo que representa un sustancial ahorro en tiempo de montaje.

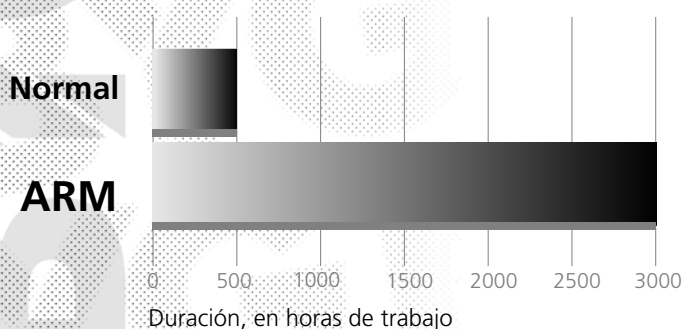
Las piezas recubiertas de tungsteno (ARM) ofrecen un sustancial ahorro de tiempo y dinero cuando son utilizadas en las correctas aplicaciones.

El recubrimiento de tungsteno alarga la vida de la pieza, reduce costes de mantenimiento e incrementa la productividad pues la extrema dureza del recubrimiento permite penetrar más terreno en menos tiempo. **La relación calidad/precio en las piezas ARM es altamente ventajosa.**

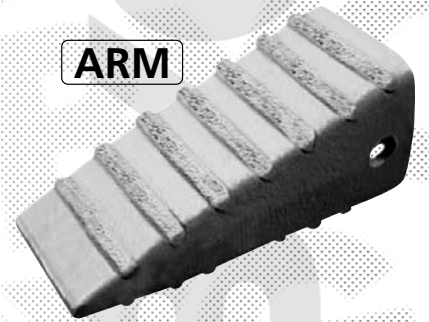
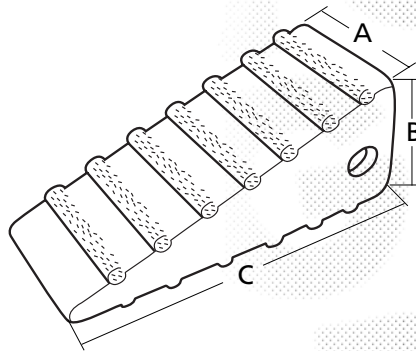
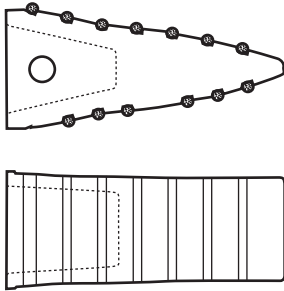
### Aplicaciones

Las piezas recubiertas con ARM funcionan mejor en trabajos de mucha abrasión y poco o moderado impacto. Consulte a nuestros comerciales si tiene dudas en la utilización del ARM para su tipo de trabajo / máquina.

### Rendimiento

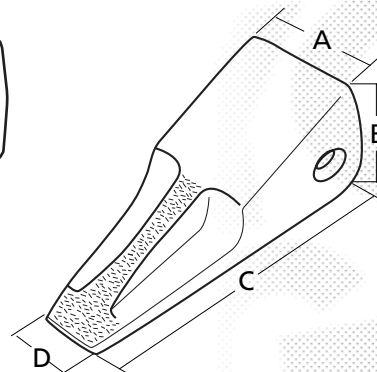
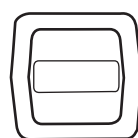
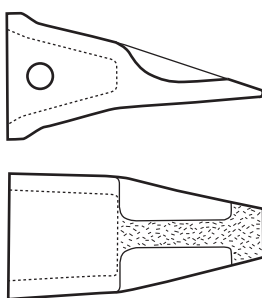


### Dientes Pasador Lateral: HD ARM



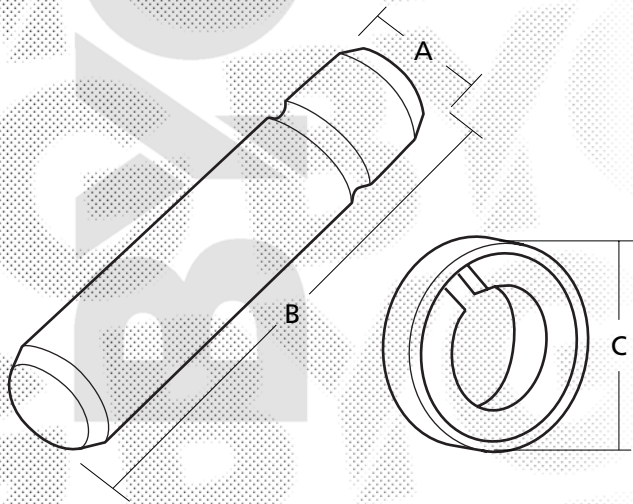
mm.				KG	Image 1	Image 2	Image 3	Image 4	Image 5	Image 6	Image 7	Image 8	Image 9	Image 10	Image 11	Image 12	Image 13	Image 14	
A	B	C																	
-	-	-	-		125-8302	107-3308 9J-2308	8E-6259 3G-9609	1U-1304	9J-8929	-	3G-6304 /05/06 8E-9490 /95/96	4T-4307 1U-0307 3G-9307	3G-5307						<b>30</b>
-	-	-	-		135-9352	8E-6358 9J-2358	8E-6359 3G-9549	1U-1354	1U-1350	-	6I-6354 /55/56	3G-3357 1U-1357	3G-1357 3G-2357						<b>35</b>
-	-	-	-		116-7402	7T-3408	8E-8409	-	-	-	6I-6404 /05/06	-	-						<b>40</b>
134 5,28"	141 5,55"	316 12,44"	19,40 42,77"		<b>101-9054</b>	8E-0468	8E-8469	8E-0464	-	114-0464 /65/66	6I-6464 /65/66 6I-6465 RH/66 LH	-	-						<b>46</b>
159 6,26"	160 6,30"	370 14,57"	24,00 52,91"		<b>101-9055</b>	6Y-8558 1U-1558	8E-5559 3G-9559	7J-9554	-	107-3554 /55/56	6I-6554 /55/56 6I-6555 RH/56 LH	-	-						<b>55</b>
-	-	-	-		107-8602	6I-6608	6I-6609	-	-	119-8604/05/06	6I-6604 /05/06 6I-6605 RH/06 LH	-	-						<b>60</b>
-	-	-	-		107-2001	4T-4708	4T4707	-	-	133-0704 /05/06 100-7416 /RH/LH	-	-	-						<b>70</b>

### Dientes Pasador Lateral: Penetración



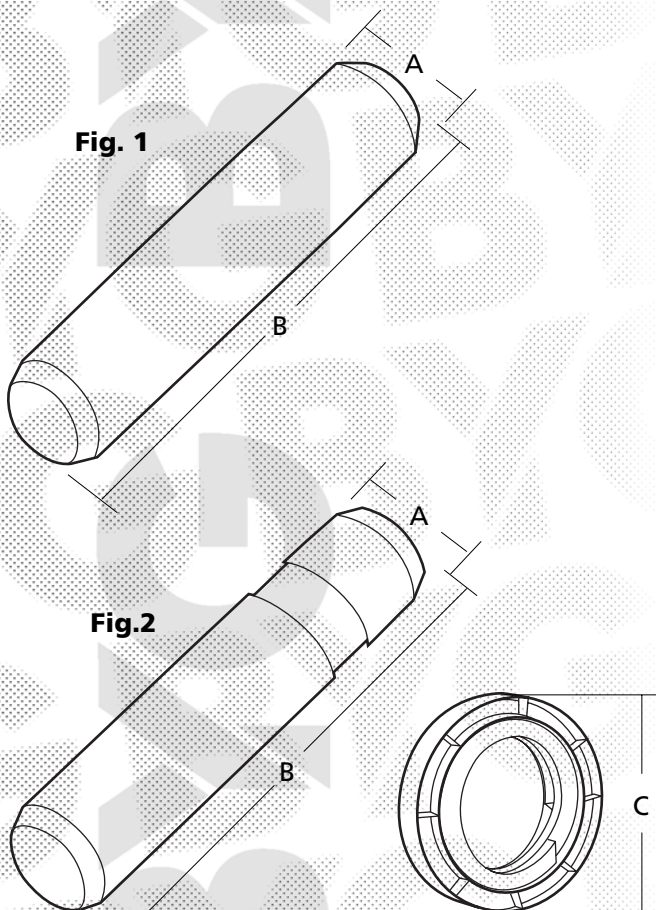
mm.				KG	Image 1	Image 2	Image 3	Image 4	Image 5	Image 6	Image 7	Image 8	Image 9	Image 10	Image 11	Image 12	Image 13	Image 14	
A	B	C	D																
102 4,02"	112 4,41"	245 9,65"	46 1,81"	5,50 12,13	<b>119-9359</b>	8E-6358 9J-2358	8E-6359 3G-9549	1U-1354	1U-1350	-	6I-6354 /55/56	3G-3357 1U-1357	3G-1357 3G-2357						<b>35</b>
118 4,65"	127 5,00"	267 10,51"	54 2,13"	8,40 18,52	<b>124-7409</b>	7T-3408	8E-8409	-	-	-	6I-6404 /05/06	-	-						<b>40</b>
128 5,04"	137 5,39"	292 11,50"	51 2,01"	11,30 24,91	<b>116-7459</b>	8E-0468	8E-8469	8E-0464	-	114-0464 /65/66	6I-6464 /65/66 6I-6465 RH/66 LH	-	-						<b>46</b>
150 5,91"	142 5,59"	333 13,11"	61 2,40"	14,60 32,19	<b>113-0559</b>	6Y-8558 1U-1558	8E-5559 3G-9559	7J-9554	-	107-3554 /55/56	6I-6554 /55/56 6I-6555 RH/56 LH	-	-						<b>55</b>
190 7,48"	183 7,20"	380 14,96"	84 3,31"	28,50 62,83	<b>119-9609</b>	6I-6608	6I-6609	-	-	119-8604/05/06	6I-6604 /05/06 6I-6605 RH/06 LH	-	-						<b>60</b>

## Pasadores y Arandelas



mm.					
A	B	C			
11 0,43"	61 2,40"	22 0,87"	<b>8E-6208</b> 1U-4208	<b>8E-6209</b> 4T-0001	<b>20</b> J200
14 0,55"	69 2,72"	30 1,18"	<b>6Y-3228</b>	<b>8E-6259</b> 3G-9609	<b>22</b> J225
14 0,55"	78 3,07"	30 1,18"	<b>8E-6258</b> 9J-2258	<b>8E-6259</b> 3G-9609	<b>25</b> J250
14 0,55"	92 3,62"	30 1,18"	<b>107-3308</b> 9J-2308	<b>8E-6259</b> 3G-9609	<b>30</b> J300
19 0,75"	108 4,25"	40 1,57"	<b>8E-6358</b> 9J-2358	<b>8E-6359</b> 3G-9549	<b>35</b> J350
22 0,87"	119 4,69"	42 1,65"	<b>7T-3408</b>	<b>8E-8409</b>	<b>40</b> J400
19 0,75"	135 5,31"	40 1,57"	<b>9W-8296</b> 4T-1458	<b>8E-6359</b> 3G-9549	<b>45</b> J450
24 0,94"	141 5,55"	44 1,73"	<b>8E-0468</b>	<b>8E-8469</b>	<b>46</b> J460
25 0,98"	162 6,38"	53 2,09"	<b>6Y-8558</b> 1U-1558	<b>8E-5559</b> 3G-9559	<b>55</b> J550
30 1,18"	195 7,68"	59 2,32"	<b>6I-6608</b>	<b>6I-6609</b>	<b>60</b> J600
32 1,26"	200 7,87"	70 2,76"	<b>4T-4708</b>	<b>4T-4707</b>	<b>70</b> J700
-	-	-	102-0101	101-2874	<b>80</b> J800

## Pasadores y Arandelas HD



mm.						
A	B	C				
14 0,55"	69 2,72"	30 1,18"	<b>132-4762</b>	-	<b>133-0699</b>	<b>22</b> J225
14 0,55"	78 3,07"	30 1,18"	<b>132-4763</b>	-	<b>133-0699</b>	<b>25</b> J250
14 0,55"	92 3,62"	30 1,18"	<b>132-4766</b>	-	<b>133-0699</b>	<b>30</b> J300
19 0,75"	108 4,25"	40 1,57"	-	<b>114-0358</b>	<b>114-0359</b>	<b>35</b> J350
22 0,87"	119 4,69"	42 1,65"	-	<b>116-7408</b>	<b>116-7409</b>	<b>40</b> J400
24 0,94"	135 5,31"	44 1,73"	-	<b>114-0468</b>	<b>107-3469</b>	<b>46</b> J460
25 0,98"	162 6,38"	53 2,09"	-	<b>107-3378</b>	<b>107-8559</b>	<b>55</b> J550
30 1,18"	195 7,68"	59 2,32"	-	<b>113-9608</b>	<b>113-9609</b>	<b>60</b> J600
32 1,26"	200 7,87"	70 2,76"	-	<b>4T-4708</b>	<b>113-4709</b>	<b>70</b> J700
35 1,38"	240 9,45"	70 2,76"	-	<b>134-1808</b>	<b>134-1809</b>	<b>80</b> J800