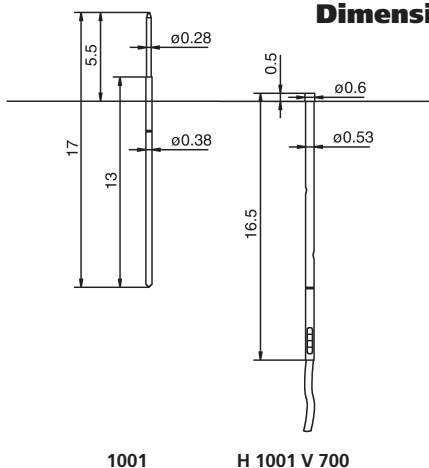


Dimensions and Mounting Measures



1001

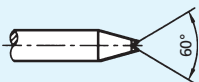
H 1001 V 700

Available Headstyles

Headstyles

Diameter • Plating

G3



0,28 • Au

Series 1001

Mechanical

Spacing	0,76 mm/30 mil
Full travel	2,00 mm
Recommended working travel	1,35 mm
Pre-loaded spring force	0,13 N
Spring force at working travel ($\pm 20\%$)	0,30 N

Electrical

max. current rating	0,5 A
Typ. continuity resistance	\leq 150 mOhm

Materials

Barrel	bronze, gold plated
Spring	stainless steel, gold plated
Plunger	steel, gold plated
Receptacle	brass, gold plated

Diameter of Drill on request

How to order:

1001 - G3 - 0,3 N - Au - 0,28

Series

Headstyle

Contact
Pressure

Plating

Tip Diameter
(mm)