



The direct control solenoid valves are particularly indicated for the assembling in any position thanks to their small dimensions. They are available in sizes M5, 1/8 and 1/4 in the functions 3/2 NC (norm.close) o NO, (norm. open).

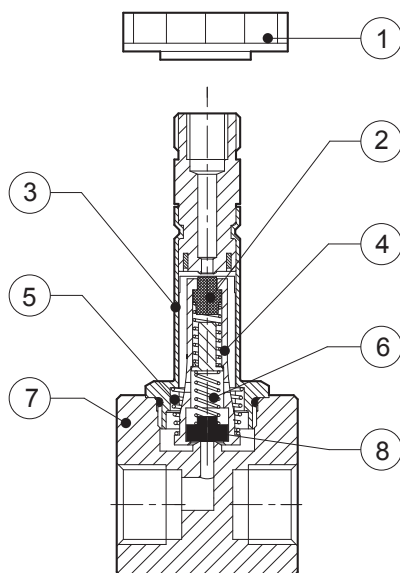
L'électrovalve à commande directe est particulièrement indiquée pour des montages quelque soit la position grâce à son faible encombrement. Elle est disponible dans les tailles M5-1/8-1/4 et la fonction en 3/2 normalement fermée ou normalement ouverte.

Gli elettropiloti a comando diretto sono particolarmente indicati per montaggio in qualsiasi posizione grazie alle dimensioni molto contenute. Sono disponibili nelle taglie M5, 1/8 e 1/4 nelle funzioni 3/2 NC (norm.chiuso) o NA (norm.aperto).

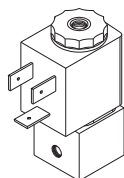
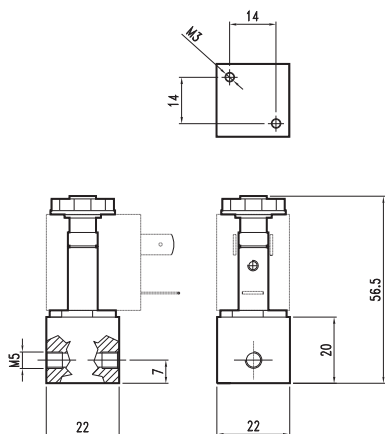
TECHNICAL DATA / DONNÉES TECHNIQUES / DATI TECNICI

Fluid / Fluide / Fluido	Lubricated or non lubricated air / Air lubrifié ou non / Aria con o senza lubrificazione
Type / Type / Tipo	3/2 NC NA / NF NO / NC NA
Max operating pressure / Pression max d'utilisation / Pressione massima di esercizio	10 bar
Max working temperature / Température max d'utilisation / Temperatura max di esercizio	-10°C / + 50°C
Flow rate to 6 bar and Δp 1 bar / Débit à 6 bar et Δp 1 bar / Portata a 6 bar e Δp 1 bar	M5: 40 NI/min - 1/8: 50NI/min - 1/4: 50NI/min
Nominal orifice / Diamètre nominal / Diametro nominale	1,5mm
Tension tolerance / Tolérance de tension / Tolleranza di tensione	-10% - + 15%
Response time / Temps de réponse / Tempo di risposta	10ms
Duty cycle / Temps d'enclenchement / Inserimento	ED 100%
Rated power consumption / Consommation / Consumo a regime	DC: 3W - AC: 5VA
Coils tension / Tension bobine / Tensione bobine	24VDC - 24VAC - 110VAC - 220VAC 50/60Hz
Protection / Protection / Protezione	IP 67

COMPONENTS / COMPOSANTS / COMPONENTI

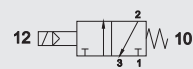


pos.	description / description / descrizione	material / matière / materiale
1	nut / écrou / dado	plastic / plastique / plastica
2	seal / joint / guarnizione	NBR
3	body / corps / corpo	brass / laiton / ottone
4	mobile core / tiroir / nucleo mobile	brass / laiton / ottone
5	spring / ressort / molla	steel / acier / acciaio
6	spring / ressort / molla	steel / acier / acciaio
7	body valve / corps valve / corpo valvola	aluminium / aluminium / alluminio
8	seal / joint / guarnizione	NBR



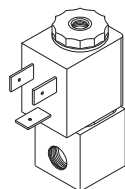
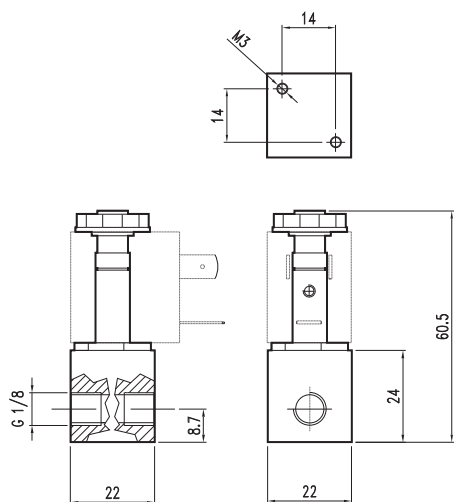
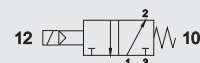
M5 3/2 NC
M5 3/2 NF
M5 3/2 NC

CODE
VD3122



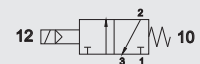
M5 3/2 NO
M5 3/2 NO
M5 3/2 NA

CODE
VD3121



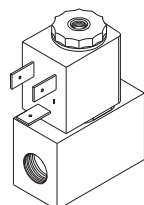
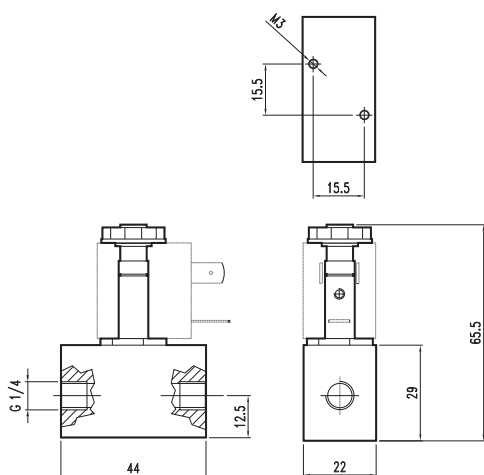
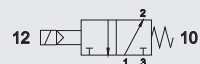
1/8 3/2 NC
1/8 3/2 NF
1/8 3/2 NC

CODE
VD3222



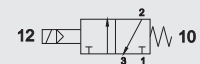
1/8 3/2 NO
1/8 3/2 NO
1/8 3/2 NA

CODE
VD3221



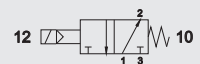
1/4 3/2 NC
1/4 3/2 NF
1/4 3/2 NC

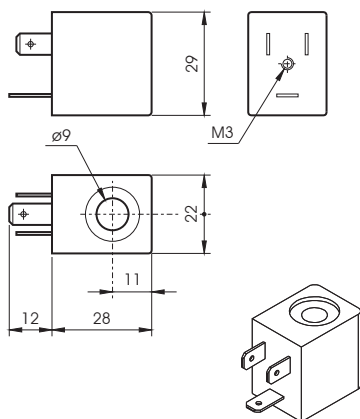
CODE
VD3322



1/4 3/2 NO
1/4 3/2 NO
1/4 3/2 NA

CODE
VD3321



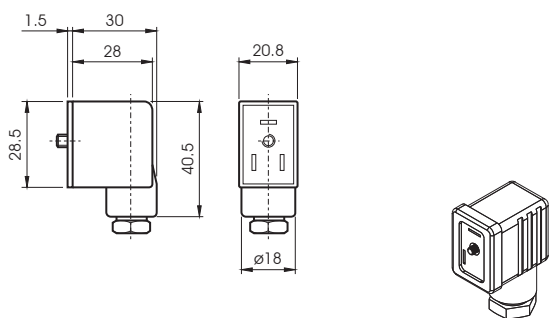


COILS
BOBINE
BOBINE

CODE	Tension <i>Tensione</i>	POWER / ABSORPTION / ASSORBIMENTO	
		Rated <i>Résistance a regime</i>	Inrush <i>De sortie di spunto</i>
BO4011012	12 VDC	3W	
BO4011024	24 VDC	3W	
BO4012024	24 VAC	5VA	7,5VA
BO4012110	110 VAC	5VA	7,5VA
BO4012220	220 VAC	5VA	7,5VA

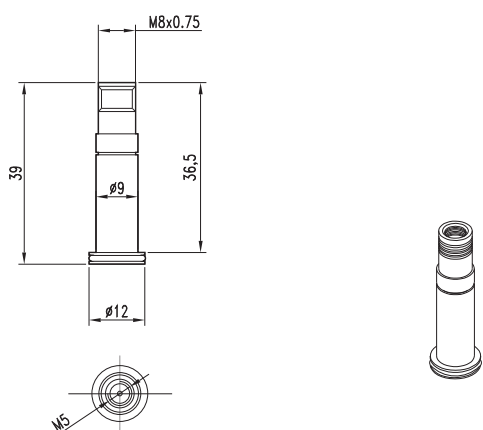
TECHNICAL SPECIFICATIONS
CARACTERISTIQUES TECHNIQUES
CARATTERISTICHE TECNICHE

Tension tolerance / Tolérance / Tolleranza di tensione	+10%
Protection with connector / Protection avec connecteur / Protezione con connettore	IP65
Max working temperature / Température max d'utilisation / Temperatura max di esercizio	+ 50°C
Duty cycle / Temps d'enclenchement / Inserimento	ED 100%



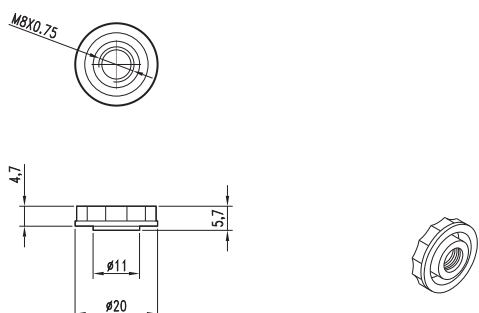
CONNECTORS
CONNECTEUR
CONNETTORI

CODE	DES.
AR40696	STANDARD
VX0014	LED 24V
VX0015	LED 110V
VX0016	LED 220V
VX0017	LED+VDR 24V
VX0018	LED+VDR 110V
VX0019	LED+VDR 220V



SOLENOID PILOT
ELECTROPILOTE
ELETTRAPILOTA

CODE	EP43603
------	---------



NUT
ECROU
DADO

CODE	DA42937
------	---------