



Modular scanner portals **MSP*i*** systems

Omnidirectional barcode reader systems
of the new generation



One system – **many advantages.**

For us, MSP*i* system means: **everything complete.**

MSP*i* systems are both technically, as well as application-specifically optimized, complete systems for omnidirectional reading. They are based on our BCL 500*i* series barcode readers, which are already premounted, electrically wired and configured. By means of the modular design, we can very flexibly develop a suitable solution for nearly every application.

- Modular scanner portal for the integration of up to 32 barcode readers of models BCL 500*i* and BCL 501*i*
- Code reconstruction technology (CRT): Enables the identification of soiled, turned (tilt angle) or damaged codes
- Omnidirectional reading
- High scanning rate 800–1,200 scans/s (adjustable): reliable identification, even at very high conveyor speeds
- High depth of field and large opening angle: For wide transport systems
- Fast and simple RS232, RS422, Profibus and Ethernet interface connection to the primary host system
- Set parameters are stored fail-safe
- Intuitive, multi-language display with menu navigation
- BCL 500*i* series barcode scanners in various models, single line or oscillating mirror are the basis for flexible use for application solutions
- Simple commissioning and connection through M12-Ultra-Lock™ connection technology
- Convenient web-browser-based configuration using the integrated webConfig tool via USB
- Optional heating models to -35 °C
- Simple mounting and fastening



BCL 500*i* series the basis of the MSP*i* systems.

BCL 500*i*



- Integrated network master for controlling the Leuze multiNet plus network. Network management of up to 32 participants within an MSP*i* system
- Leuze electronic multiScan
Combines read results from multiple barcode readers into a single result for the host system
- Number of slave participants can be set via the display

BCL 501*i*



- multiNet slave on the Leuze network
- User addresses in the network can be set via the display



Additional interface connections to the primary host system via Profibus, Ethernet and other fieldbuses are possible.

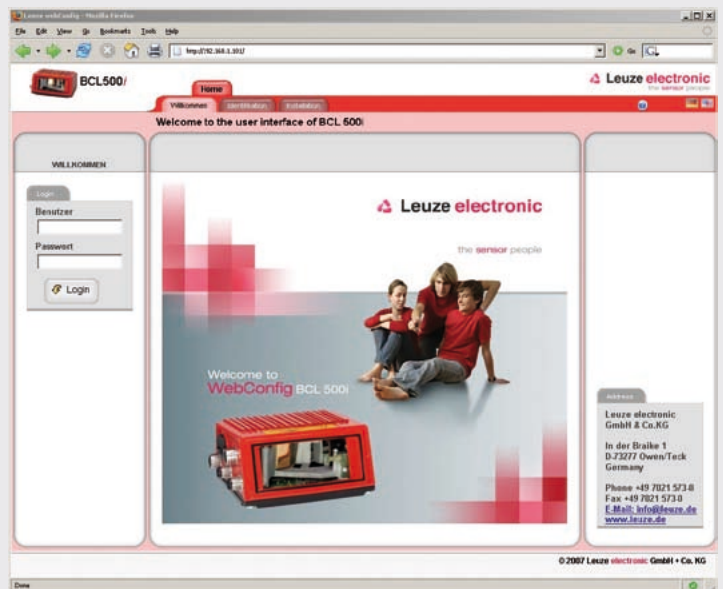
One system – flexible possibilities.

Configuration via webConfig.

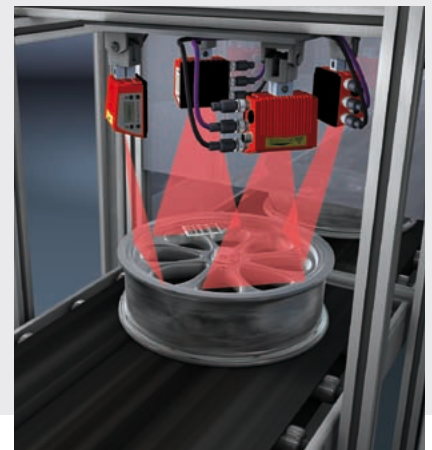
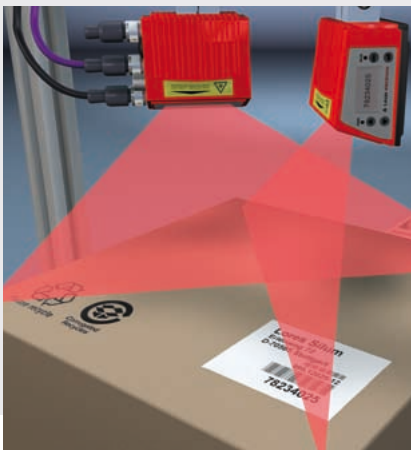
With the integrated webConfig tool, a web-based, graphical user interface is available for device configuration. The tool is divided into various function groups and provides the user with optimum support in every situation.

Because it is programmed using proven web standards (HTML, JavaScript, AJAX), the webConfig tool can be operated on any standard PC without direct Internet access via a web browser. The connection is simply made via the barcode reader's integrated USB service interface.

As a result, a current, very convenient and user-oriented user interface is always available.



The right system for every application – individual – technically optimal.



Technical data

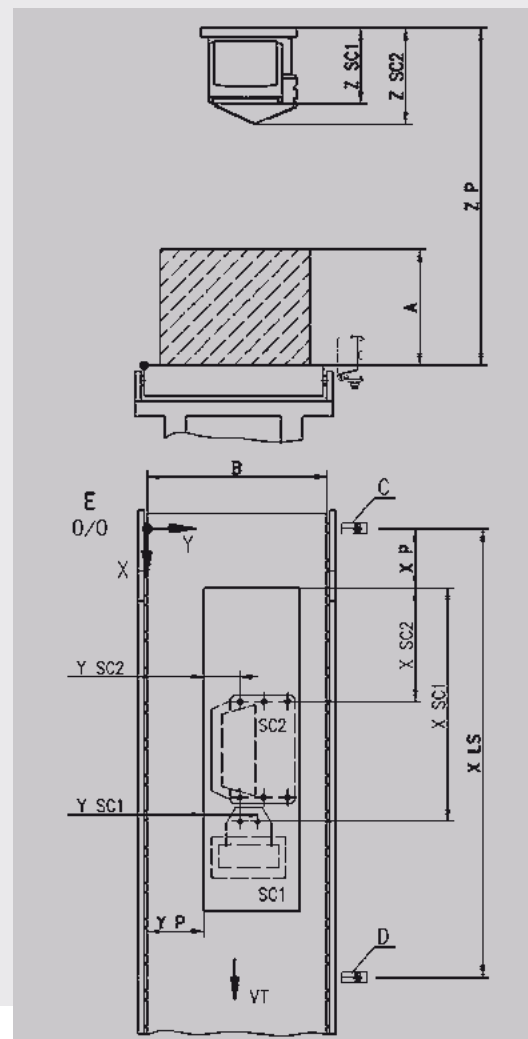
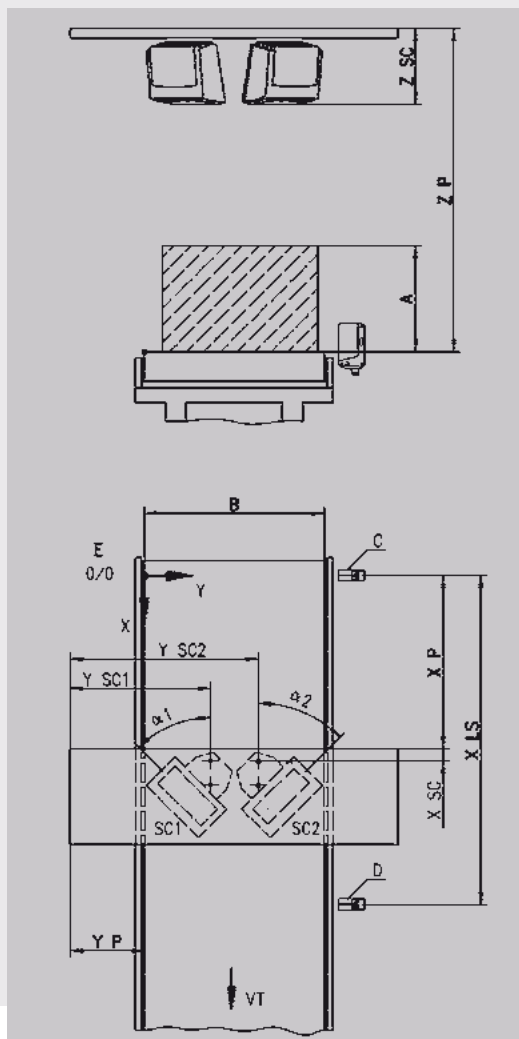
MSP*i* systems – high flexibility.

Multi-sided reading tasks of up to 6 sides can be quickly realized on request through the modular structure of the MSPi systems.

- Modulus sizes: 0.25 – 1.0 mm
- Web widths: 200 – 800 mm
- Object heights: 0–880 mm

MSP 290i–520... systems
(2 x line scanner)

MSP 290i–511... systems
(1 x line scanner, 1 x oscillating mirror)



- A Depth of field
- B Effective width of conveyer
- C Start LS
- D Stop LS
- E Reference point
- VT Transport direction

Optoelectronic sensors

Cubic Series
Cylindrical Sensors, Mini Sensors, Fiber Optic Amplifiers
Measuring Sensors
Special Sensors
Light Curtains
Forked Sensors
Double Sheet Monitoring, Splice Detection
Inductive Switches
Accessories

Identification Systems

Data Transmission Systems

Distance Measurement

Barcode Readers
RF-IDent-Systems
Modular Interfacing Units
Industrial Image Processing Systems
Optical Data Transmission Systems
Optical Distance Measurement/Positioning
Mobile Code Readers

Safety Sensors

Safety Systems

Safety Services

Safety Laser Scanners
Safety Light Curtains
Transceivers and Multiple Light Beam Safety Devices
Single Light Beam Safety Devices
AS-i-Safety Product Range
Safety Sensor Technology for PROFIBUS DP
Safety Switches, Safety Locking Devices, Safety Command Devices
Safety Relays
Sensor Accessories and Signal Devices
Safety Engineering Software
Machine Safety Services

Leuze electronic GmbH + Co. KG

In der Braike 1

D-73277 Owen/Germany

Phone +49 (0) 7021 / 573-0

Fax +49 (0) 7021 / 573-199

info@leuze.de

www.leuze.com