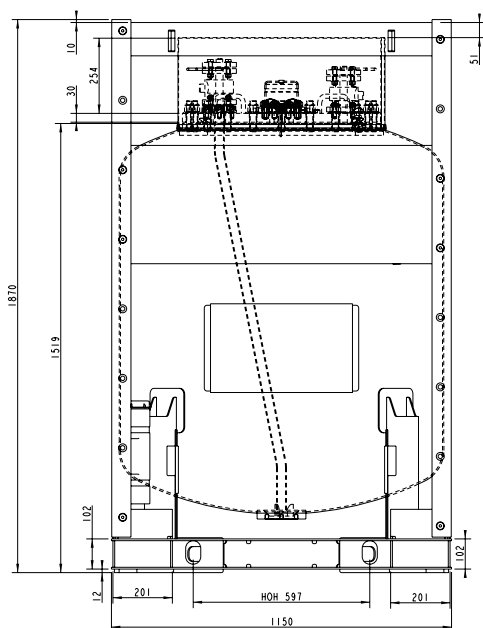


HOYER Mini Pressure Tank – UN T14 – 1,100 l

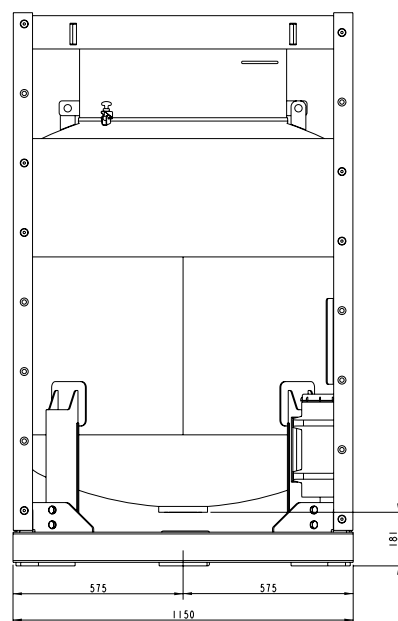
General:	Volume:	1,100 l	
	Type:	Cylindrical with frame	
	Dimensions:	Length:	1,150 mm
		Width:	1,150 mm
		Height:	1,870 mm
		Diameter:	1,100 mm
	Tank:	Stainless steel SANS 1.4402 EN 50.028-7	
	Frame:	Steel, galvanised DIN EN ISO 1461	
	Tare weight:	Approx. 670 kg	
	Max. gross weight:	2,500 kg	
Max. working pressure:	+ 4 bar		
Test pressure:	+ 6 bar		
Max. vacuum pressure:	- 1.0 bar		
Manlid:	Manlid:	DN 500, bolted	
	Filling/discharging connection:	a) DN 25 PN 16, connection with diptube and Richter armature KN/F EN14432	
		b) DN 25 PN 16, with Richter armature KN/F EN14432	
		c) DN 50 PN 16, blind flange	
		d) Safety relief valve (4.4 bar) with tell-tale pressure gauge and bursting disc (4.84 bar)	
Accessories:	Cylindrical cover		
	2 earthing points		
	Documentholder		
Stackability:	Empty:	2-high	
Handling method:	Industrial truck:	2 end-to-end forklift tunnels	
	Crane:	4 lifting eyes	
Approvals:	Packaging group:	I, II and III	
	ADR/RID:	L10DH	
	ADR/RID/IMDG Code:	UN T14	
	US-DOT:	ASME VIII, Div. 1, CFR 49	
	TIR		



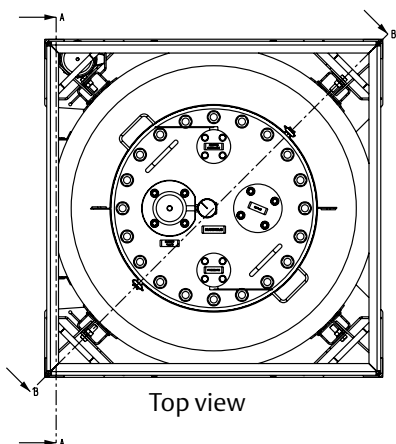
Subject to any technical changes and any special reconstructions for customers.



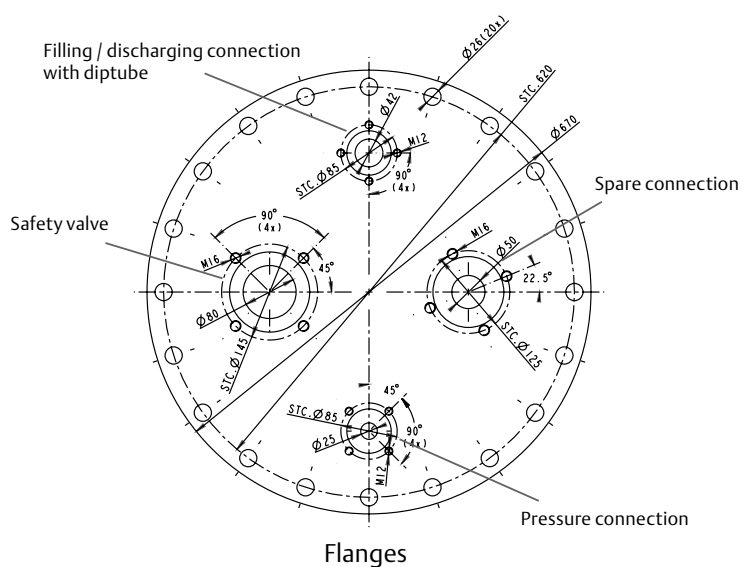
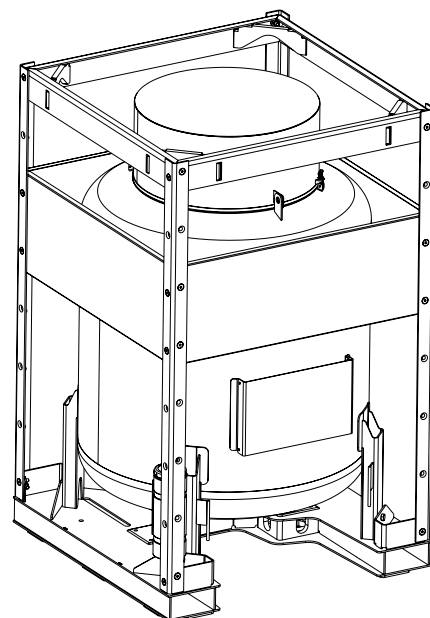
Front view



Side view



Top view



Flanges

All data in mm (millimetres).